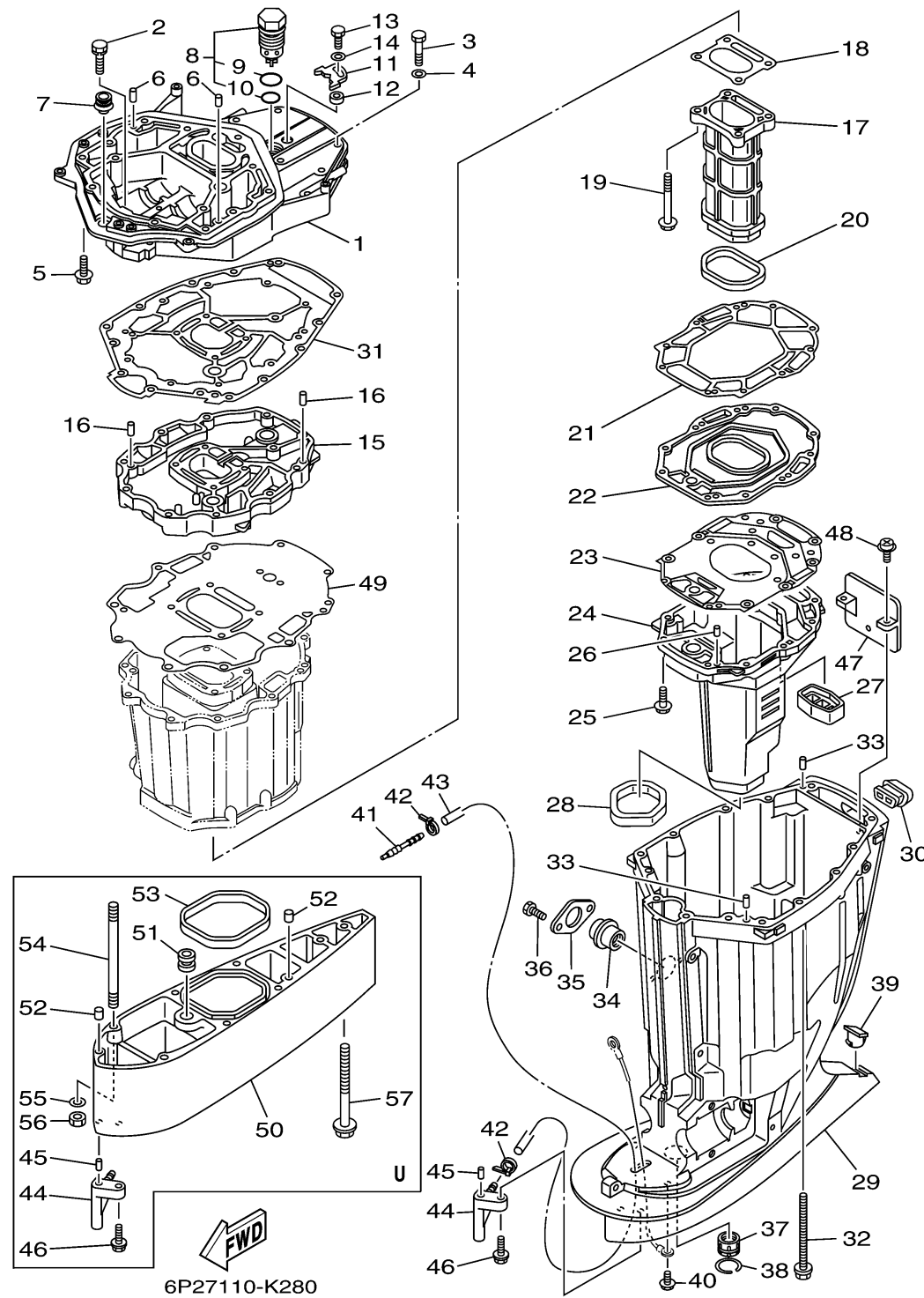


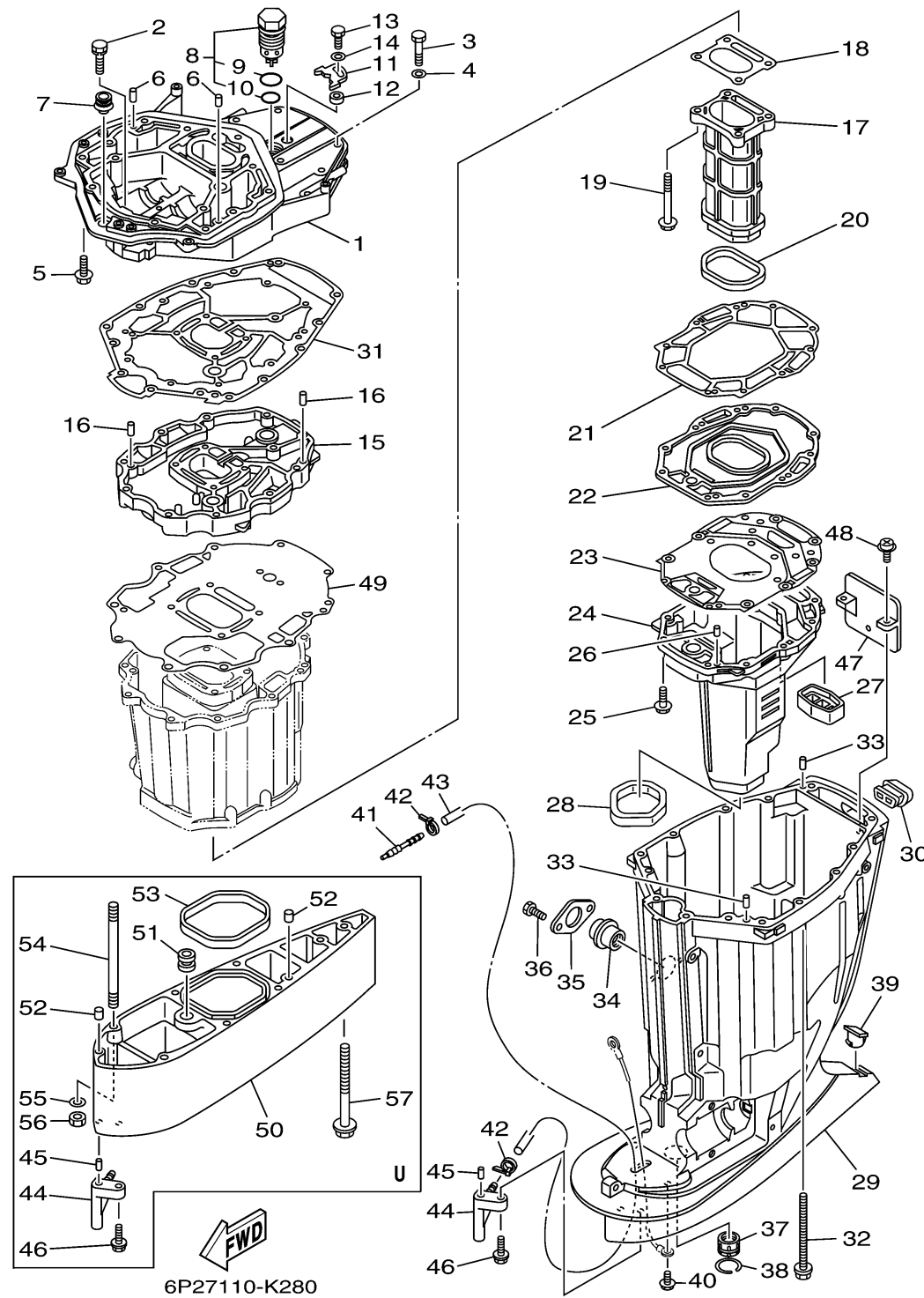
UPPER CASING



Ref No.	Part Number	Description	Qty	Remarks
1	69J-41137-10-CA	GUIDE, EXHAUST	1	
2	90119-08102-00	BOLT, WITH WASHER	2	
3	97075-10045-00	BOLT	7	
4	92995-10600-00	.WASHER	7	
5	97575-10535-00	BOLT, WITH WASHER	7	
6	93608-16M16-00	PIN, DOWEL	2	
7	6E5-42724-00-00	GROMMET	1	
8	6AW-11371-10-00	PRESSURE CONTROL VALVE ASSY	1	
9	93210-347A1-00	. O-RING	1	
10	93210-28543-00	. O-RING	1	
11	69J-12233-00-00	PLATE, GUIDE STOPPER 1	1	
12	90387-06037-00	COLLAR	1	
13	97095-06020-00	BOLT	1	
14	92995-06600-00	WASHER	1	
15	69J-41131-11-CA	MANIFOLD, EXT. 1	1	
16	93608-16M16-00	PIN, DOWEL	2	
17	69J-41132-20-9S	MANIFOLD, EXHAUST	1	
18	6P2-41134-00-00	.GASKET, EXHAUST MANIFOLD	1	
19	97575-08590-00	BOLT, WITH WASHER	4	
20	69J-41138-00-00	.SEAL, EXT. 1	1	

CONTINUED ON NEXT FRAME >

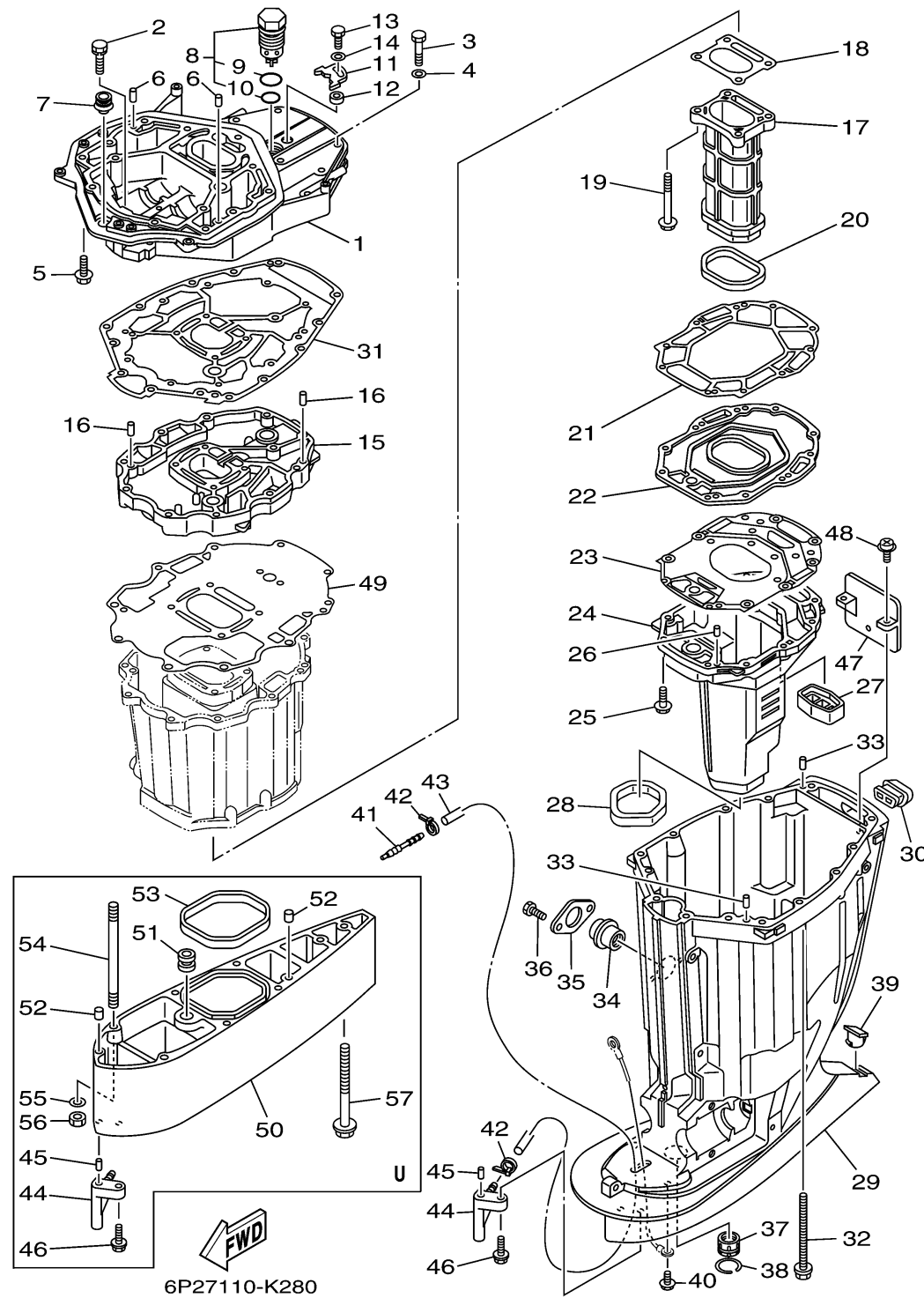
UPPER CASING



Ref No.	Part Number	Description	Qty	Remarks
21	69J-41135-A0-00	.GASKET, EXHAUST MANIFOLD	1	
22	69J-45181-10-9S	PLATE	1	
23	6S1-41136-00-00	.GASKET, EXHAUST MANIFOLD 4	1	
24	69J-14711-21-9S	MUFFLER 1	1	
25	97575-08535-00	BOLT, WITH WASHER	10	
26	93606-19M23-00	PIN, DOWEL	2	
27	69J-45127-00-00	.SEAL	1	
28	69J-45123-00-00	.GASKET, MUFFLER	1	
29	69J-45111-10-8D	CASING, UPPER	1	
30	69J-42769-00-00	SEAL, RUBBER	1	
31	69J-45113-20-00	.GASKET, UPPER CASING	1	
32	90119-10007-00	BOLT, WITH WASHER	6	
33	93608-16M16-00	PIN, DOWEL	2	
34	69J-15316-00-00	DAMPER 1	1	
35	69J-45152-10-00	COVER, UPPER CASING 2	1	
36	97095-06012-00	.BOLT	2	
37	69J-45318-01-00	BUSHING, DRIVE SHAFT	1	
38	93420-36M01-00	CIRCLIP	1	
39	61A-45155-00-00	CAP	1	
40	95895-06010-00	BOLT, FLANGE	1	

CONTINUED ON NEXT FRAME >

UPPER CASING



Ref No.	Part Number	Description	Qty	Remarks
41	6E5-83558-00-00	END, NIPPLE	1	
42	90465-11M10-00	.CLAMP	2	
43	90445-07010-00	HOSE (L1330)	1	X(25.3")
43	90445-07012-00	HOSE (L1457)	0	U(30.3")
44	61A-45378-00-00	NIPPLE, HOSE	1	
45	93606-12019-00	PIN, DOWEL	1	
46	90119-06M17-00	BOLT, WITH WASHER	1	
47	69J-14624-01-00	COVER, EXHAUST	1	
48	97980-06216-00	SCREW, WITH WASHER	2	
49	69J-15312-01-00	.GASKET, OIL PAN	1	
50	69J-45211-02-8D	EXTENSION	0	U(30.3")
51	6E5-44366-00-00	.DAMPER, WATER SEAL 2	0	U(30.3")
52	93608-12M05-00	PIN, DOWEL	0	U(30.3")
53	69J-45159-00-00	DAMPER	0	U(30.3")
54	90116-10012-00	BOLT, STUD	0	U(30.3")
55	92995-10600-00	.WASHER	0	U(30.3")
56	95380-10600-00	NUT	0	U(30.3")
57	90119-10009-00	BOLT, WITH WASHER	0	U(30.3")