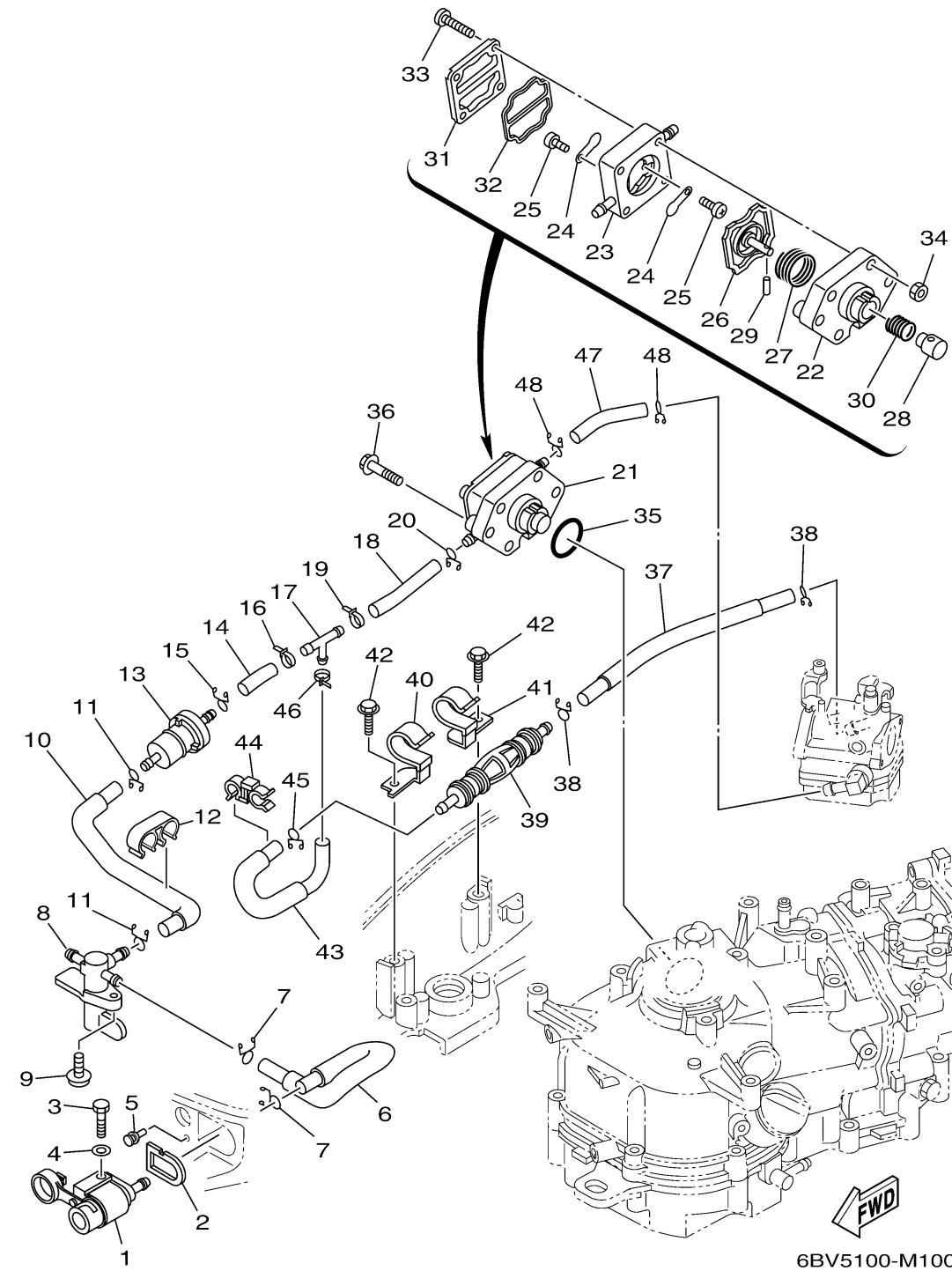
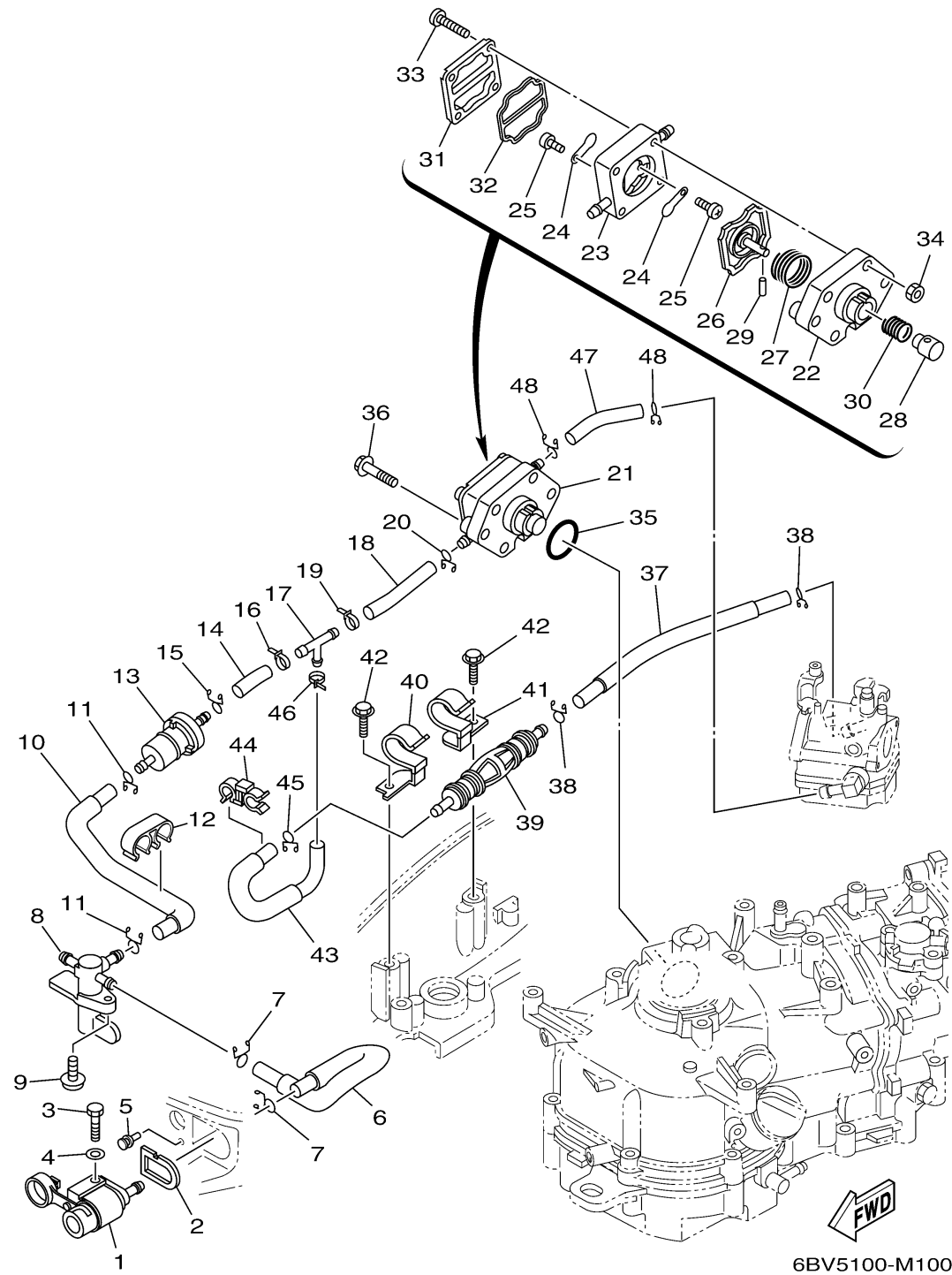


# FUEL 2



Ref No.	Part Number	Description	Qty	Remarks
1	6YL-24304-01-00	FUEL PIPE JOINT COMP. 1	1	
2	60R-F4329-00-00	SEAL	1	
3	97095-06025-00	BOLT	1	
4	92995-06600-00	WASHER	1	
5	90480-04166-00	GROMMET	1	
6	6BX-F4312-10-00	PIPE 2	1	
7	90467-09M09-00	CLIP	2	
8	6BX-24500-01-00	FUEL COCK ASSY 1	1	
9	90159-06M10-00	SCREW, WITH WASHER	1	
10	6BX-F4313-10-00	PIPE 3	1	
11	90467-09M09-00	CLIP	2	
12	90464-12809-00	CLAMP	1	
13	68T-24251-01-00	STRAINER 1	1	
14	6BX-F247C-10-00	HOSE 3	1	
15	90467-09M09-00	CLIP	1	
16	90465-11M10-00	CLAMP	1	
17	688-24378-00-00	PIPE, JOINT 3	1	
18	6BX-F247D-10-00	HOSE 4	1	
19	90465-11M10-00	CLAMP	1	
20	90467-09M09-00	CLIP	1	

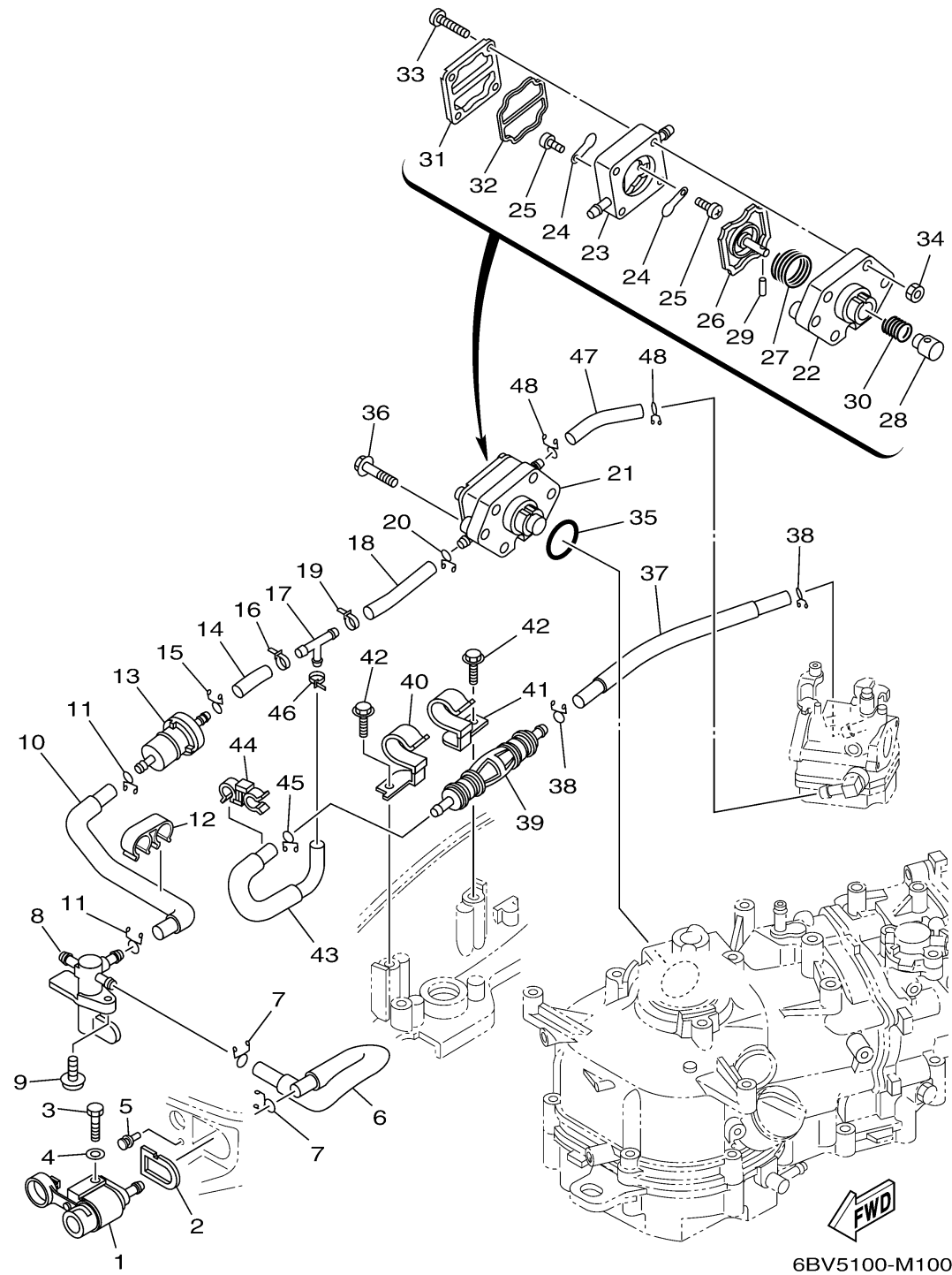
CONTINUED ON NEXT FRAME >



## FUEL 2

Ref No.	Part Number	Description	Qty	Remarks
21	6BX-24410-00-00	FUEL PUMP ASSY	1	
22	67D-24412-00-00	..BODY 1	1	
23	67D-24413-02-00	..BODY 2	1	
24	6A0-24421-01-00	..VALVE, CHECK	2	
25	6E7-14325-00-00	..SCREW, PAN HEAD	2	
26	6BX-24411-00-00	..DIAPHRAGM	1	
27	67D-24423-00-00	..SPRING, DIAPHRAGM	1	
28	6BX-13131-00-00	..PLUNGER	1	
29	66M-24374-00-00	..PIN	1	
30	6BX-24454-00-00	..SPRING	1	
31	67D-24414-01-00	..BODY 3	1	
32	66M-24471-01-00	..DIAPHRAGM	1	
33	67D-24444-00-00	..SCREW	4	
34	95380-04600-00	..NUT	4	
35	93210-27ME3-00	O-RING	1	
36	97595-06630-00	BOLT, WITH WASHER	2	
37	6BX-F247B-10-00	HOSE 2	1	
38	90467-09M09-00	CLIP	2	
39	6BX-24360-10-00	PRIMER PUMP ASSY	1	
40	6BX-24135-00-00	CLAMP 1	1	

CONTINUED ON NEXT FRAME >



## FUEL 2

Ref No.	Part Number	Description	Qty	Remarks
41	6BX-24136-00-00	CLAMP 2	1	
42	90109-06M80-00	BOLT	2	
43	6BX-F247A-10-00	HOSE 1	1	
44	90464-09021-00	CLAMP	1	
45	90467-09M09-00	CLIP	1	
46	90465-11M10-00	CLAMP	1	
47	6BX-E3971-10-00	PIPE, FUEL 1	1	
48	90467-09M09-00	CLIP	2	