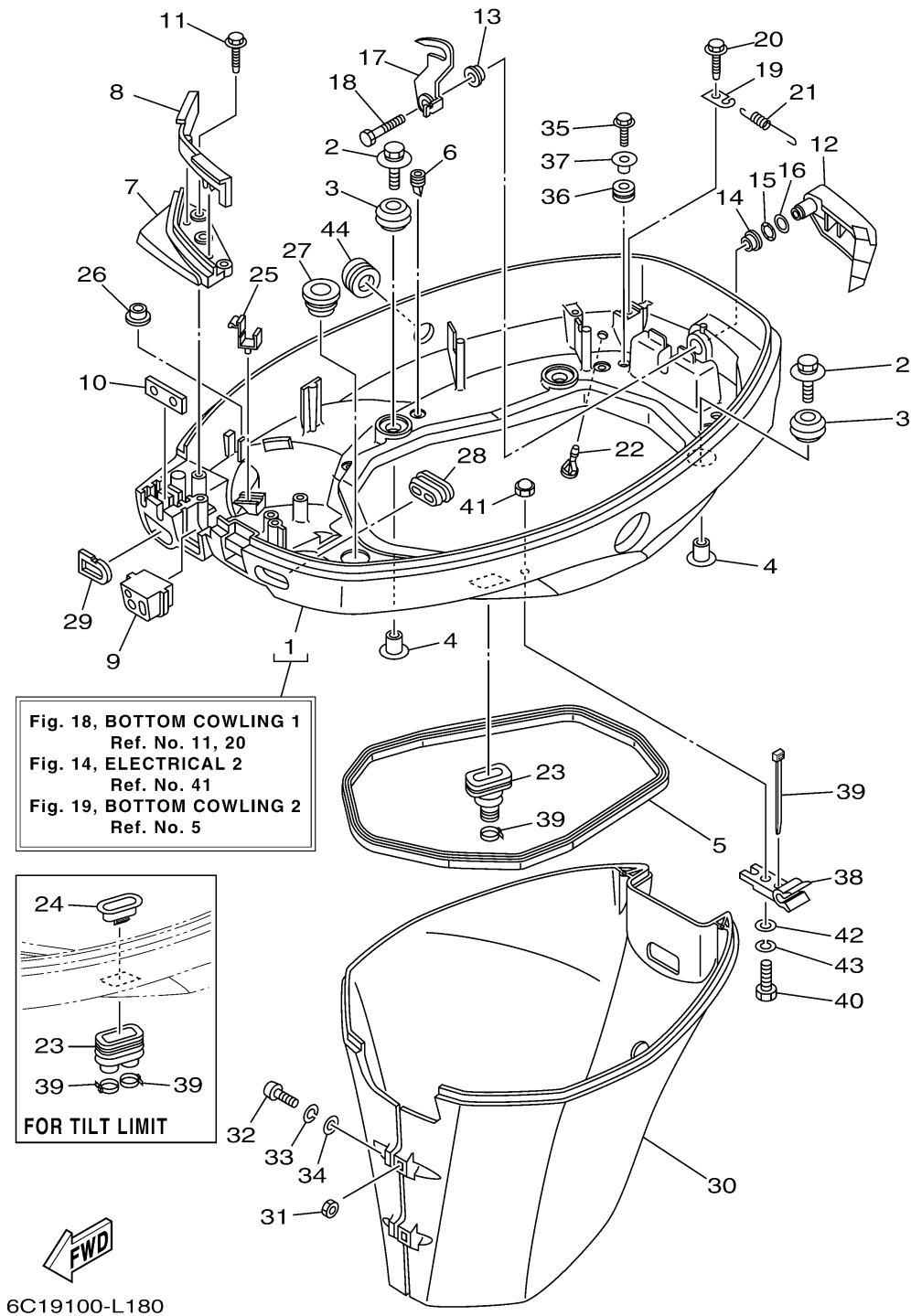


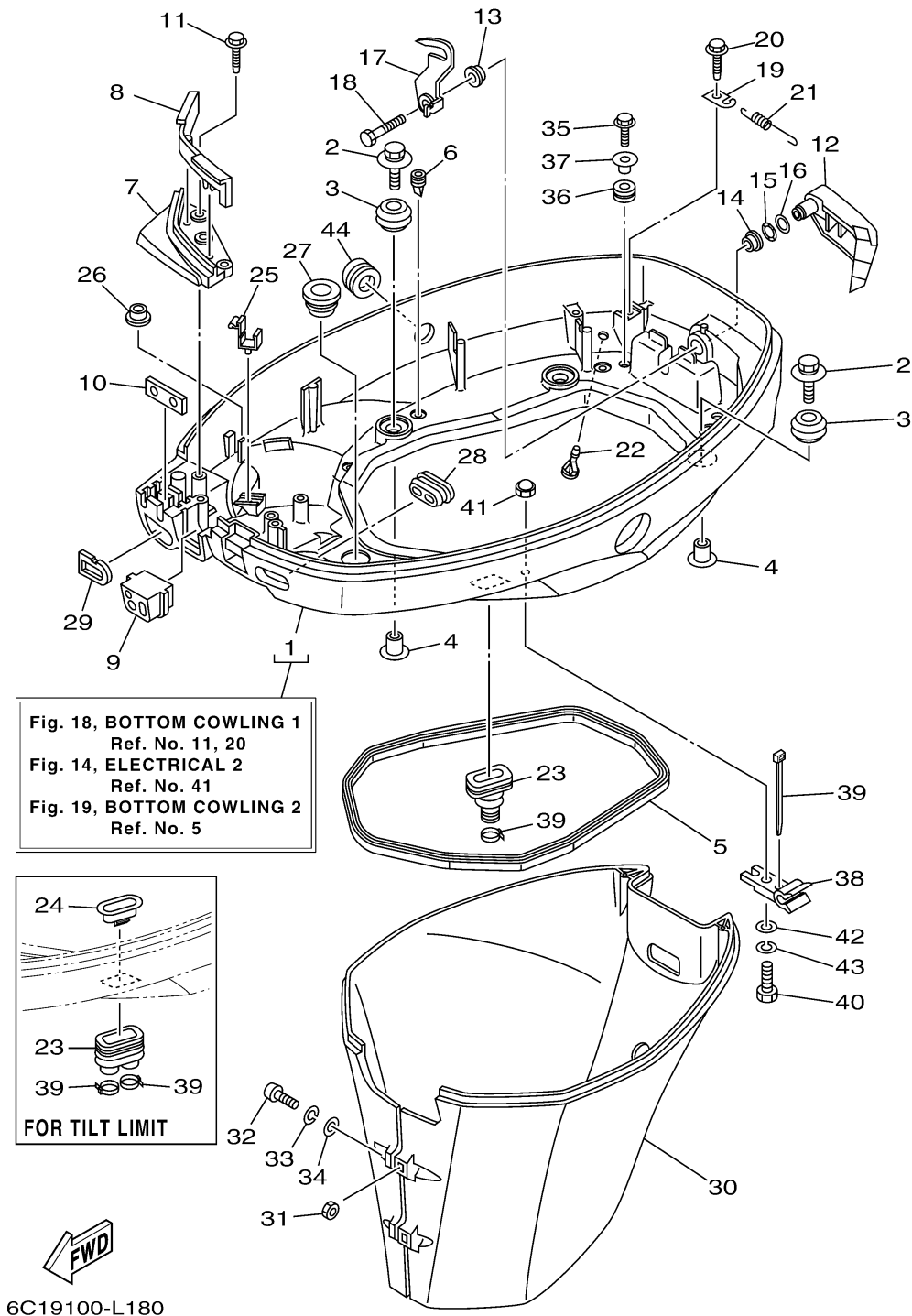
BOTTOM COWLING 1



Ref No.	Part Number	Description	Qty	Remarks
1	6C5-42710-10-8D	BOTTOM COWLING ASSY	1	
2	90119-06M61-00	BOLT, WITH WASHER	4	
3	6BG-42748-00-00	GROMMET	4	
4	90387-06M69-00	COLLAR	4	
5	62Y-42716-00-00	RUBBER, SEAL 1	1	
6	65W-42717-00-00	RUBBER, SEAL 2	4	
7	6C5-42738-00-8D	PLATE, FITTING	1	
8	6C5-42718-00-00	RUBBER, SEAL 3	1	
9	6C5-42725-30-00	GROMMET	1	
10	62Y-42727-00-00	GROMMET	1	
11	90109-06M81-00	BOLT	3	
12	67C-42815-00-8D	LEVER, CLAMP	1	
13	90386-12M37-00	BUSH	1	
14	90386-12MA2-00	BUSH	1	
15	90206-12052-00	WASHER, WAVE	1	
16	90201-12M07-00	WASHER, PLATE	1	
17	67C-42816-01-00	LEVER, CLAMP	1	
18	97095-06014-00	BOLT	1	
19	66T-43144-00-00	HOOK, SPRING	1	
20	90109-06M86-00	BOLT	1	

CONTINUED ON NEXT FRAME >

BOTTOM COWLING 1



6C19100-L180

Ref No.	Part Number	Description	Qty	Remarks
21	90506-18M40-00	SPRING, TENSION	1	
22	6BL-44391-00-00	NIPPLE, HOSE	1	
23	6H1-42726-21-00	GROMMET	1	FOR TILT LIMIT
24	6BG-42384-00-00	SEAL, CAP	1	FOR TILT LIMIT
25	90464-09M13-00	CLAMP	1	
26	6E7-82317-00-00	DAMPER, IGNITION COIL	1	
27	68U-42727-00-00	GROMMET	1	
28	6H3-42727-00-00	GROMMET	1	
29	61N-24329-00-00	SEAL	1	
30	67C-42741-10-8D	APRON	1	
31	95380-06600-00	NUT, HEXAGON	2	
32	97880-06025-00	SCREW, PAN HEAD	2	
33	92990-06100-00	WASHER, SPRING	2	
34	92990-06600-00	WASHER, PLATE	2	
35	90109-06M80-00	BOLT	2	
36	90480-13M24-00	GROMMET	2	
37	90387-06M43-00	COLLAR	2	
38	90464-09M49-00	CLAMP	1	
39	90465-11M10-00	. CLAMP	3	FOR TILT LIMIT
40	97095-06020-00	BOLT	1	

CONTINUED ON NEXT FRAME >

BOTTOM COWLING 1

Ref No.	Part Number	Description	Qty	Remarks
41	95380-06800-00	NUT	1	
42	92990-06600-00	WASHER, PLATE	1	
43	92995-06100-00	WASHER, SPRING	1	
44	6C5-42726-00-00	GROMMET	1	

