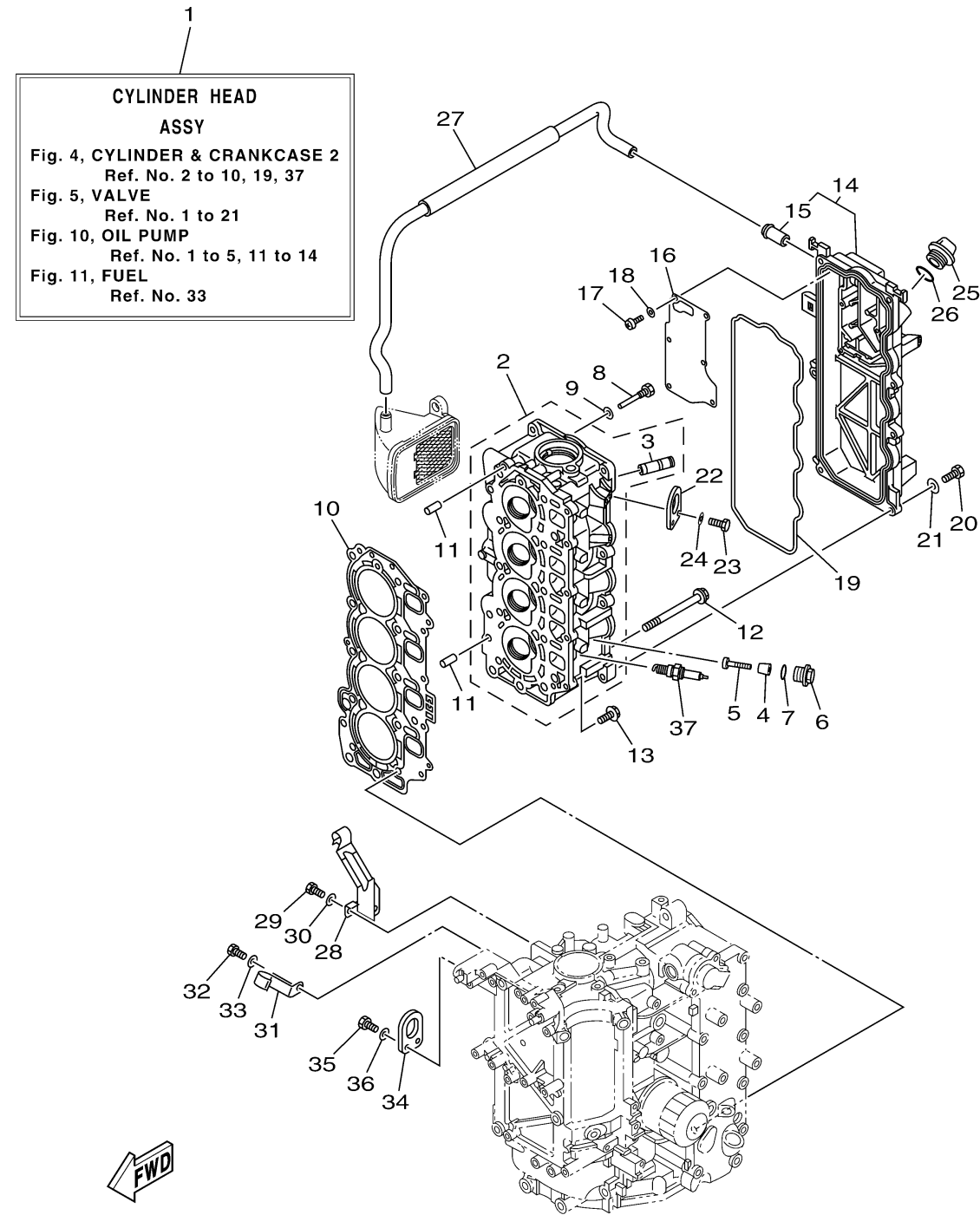


6C18110-L040

CYLINDER CRANKCASE 2

| Ref No. | Part Number | Description | Qty | Remarks |
|---------|-----------------|--------------------------|-----|---------|
| 1 | 6C5-W009A-12-9S | CYLINDER HEAD COMPLETE | 1 | |
| 2 | 6C5-11111-01-9S | HEAD, CYLINDER 1 | 1 | |
| 3 | 62Y-11133-30-00 | . .GUIDE, VALVE 1 | 8 | |
| 4 | 6G8-11325-00-00 | ANODE | 4 | |
| 5 | 97880-05025-00 | .SCREW, PAN HEAD | 4 | |
| 6 | 6G8-11197-01-00 | PLUG, BLIND | 4 | |
| 7 | 93210-13M63-00 | O-RING | 4 | |
| 8 | 90109-06M65-00 | BOLT | 1 | |
| 9 | 90430-06014-00 | .GASKET | 1 | |
| 10 | 6C5-11181-01-00 | .GASKET, CYLINDER HEAD 1 | 1 | |
| 11 | 99530-08012-00 | PIN, DOWEL | 2 | |
| 12 | 90105-09005-00 | BOLT, FLANGE | 10 | |
| 13 | 90119-06MA3-00 | BOLT, WITH WASHER | 5 | |
| 14 | 6C5-11191-01-9S | COVER, CYLINDER HEAD 1 | 1 | |
| 15 | 62Y-14485-00-00 | . .PIPE, JOINT | 1 | |
| 16 | 6C5-11168-00-00 | COVER, BREATHER | 1 | |
| 17 | 98507-04010-00 | SCREW, PAN HEAD | 6 | |
| 18 | 92907-04600-00 | .WASHER | 6 | |
| 19 | 62Y-11356-00-00 | .SEAL, CYLINDER 2 | 1 | |
| 20 | 97095-06020-00 | BOLT | 7 | |

CONTINUED ON NEXT FRAME >



CYLINDER CRANKCASE 2

| Ref No. | Part Number | Description | Qty | Remarks |
|---------|-----------------|--------------------------|-----|---------|
| 21 | 92995-06600-00 | WASHER | 7 | |
| 22 | 62Y-11119-00-00 | HANGER, ENGINE | 1 | |
| 23 | 97095-06020-00 | BOLT | 2 | |
| 24 | 92995-06600-00 | WASHER | 2 | |
| 25 | 6G8-15363-00-00 | PLUG, OIL | 1 | |
| 26 | 93210-24M79-00 | .O-RING | 1 | |
| 27 | 6C5-1531A-01-00 | HOSE, BREATHER 1 | 1 | |
| 28 | 6C5-15378-00-00 | HOLDER | 1 | |
| 29 | 97095-06014-00 | BOLT | 1 | |
| 30 | 92995-06600-00 | WASHER | 1 | |
| 31 | 6C5-15378-11-00 | HOLDER | 1 | |
| 32 | 97095-06014-00 | BOLT | 1 | |
| 33 | 92995-06600-00 | WASHER | 1 | |
| 34 | 62Y-11119-00-00 | HANGER, ENGINE | 1 | |
| 35 | 97095-06020-00 | BOLT | 2 | |
| 36 | 92995-06600-00 | WASHER | 2 | |
| 37 | DPR-6EB90-00-00 | PLUG, SPARK (NGK DPR6EB) | 4 | |