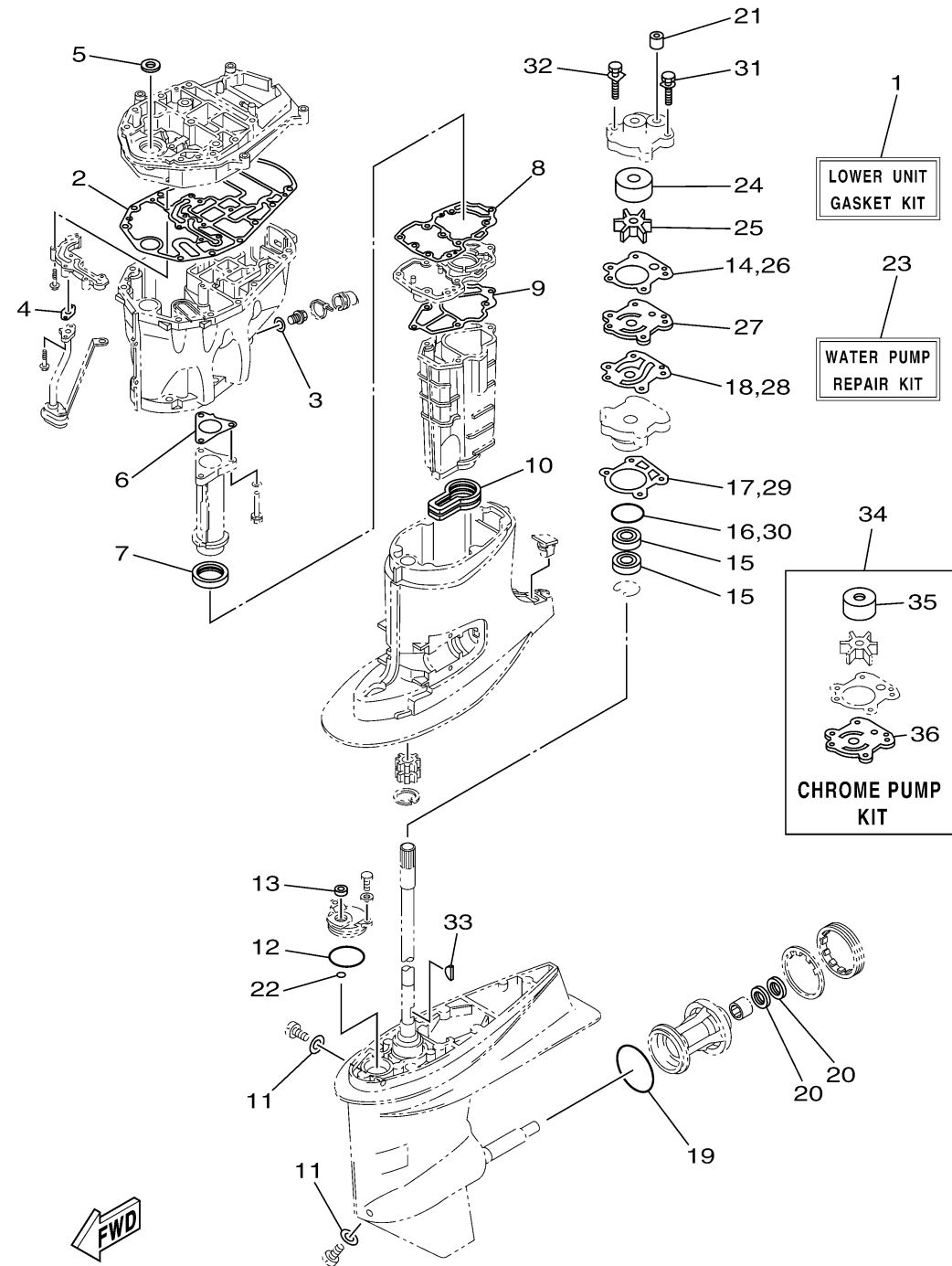


REPAIR KIT 2

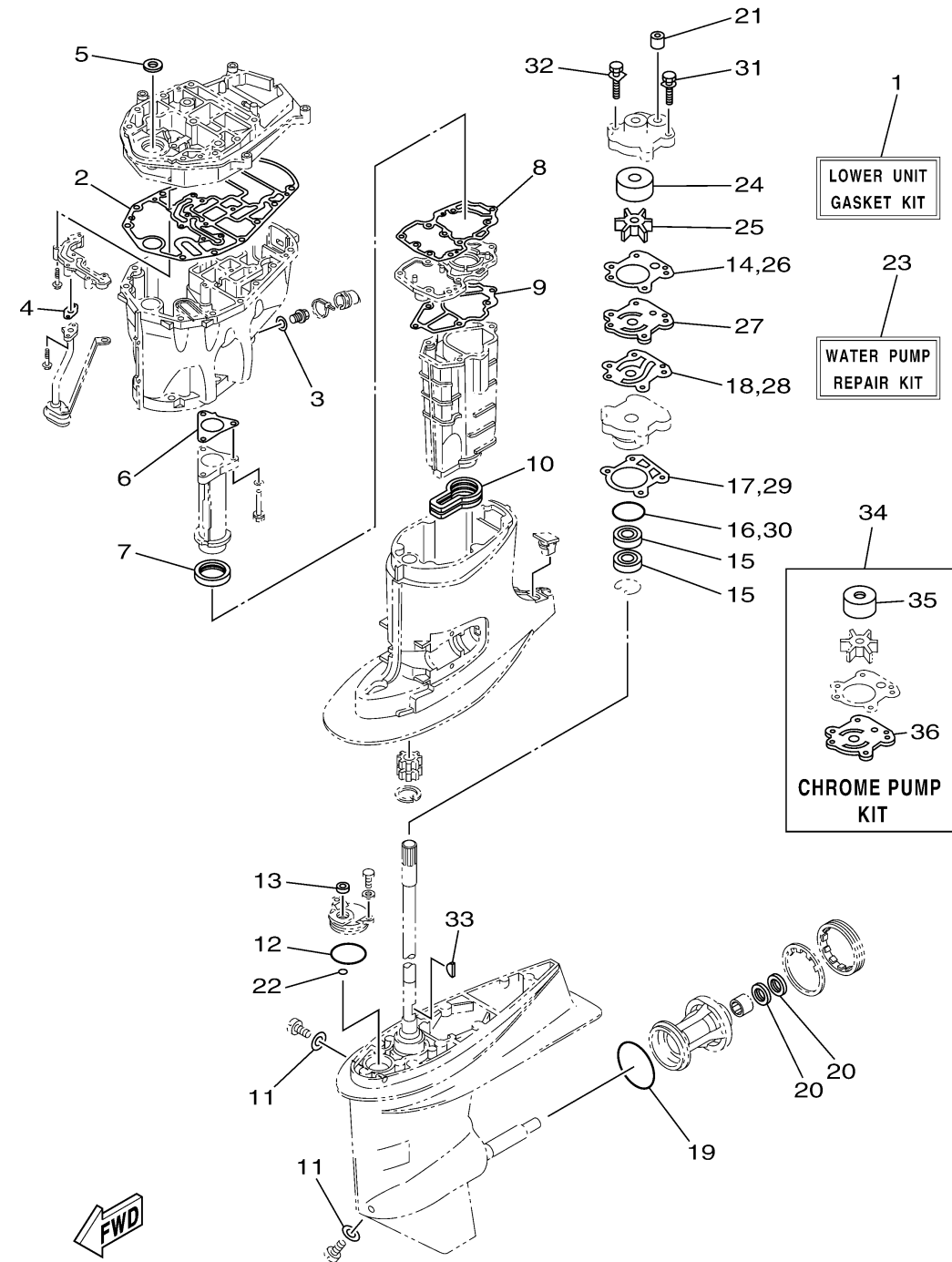


FWD
6C28110-L330

Ref No.	Part Number	Description	Qty	Remarks
1	6C6-W0001-20-00	LOWER UNIT GASKET KIT	1	
2	6C5-15312-01-00	..GASKET, OIL PAN	1	
3	90430-14M09-00	..GASKET	1	
4	6C5-13414-01-00	..GASKET, STRAINER COVER	1	
5	93103-18011-00	..OIL SEAL	1	
6	6C5-41133-00-00	..GASKET, EXHAUST MANIFOLD 1	1	
7	6C5-46132-00-00	..GASKET 1	1	
8	6C5-41134-00-00	..GASKET, EXHAUST MANIFOLD	1	
9	6C5-41135-00-00	..GASKET, EXHAUST MANIFOLD	1	
10	6C5-45123-00-00	..GASKET, MUFFLER	1	
11	90430-08020-00	..GASKET	2	
12	93210-49046-00	..O-RING	1	
13	93106-09014-00	..OIL SEAL	1	
14	6H3-44315-A0-00	..GASKET, WATER PUMP	1	
15	93101-23070-00	..OIL SEAL	2	
16	93210-46044-00	..O-RING	1	
17	688-44316-A0-00	..GASKET, WATER PUMP	1	
18	6H3-44324-A0-00	..GASKET, CARTRIDGE	1	
19	93210-86M39-00	..O-RING	1	
20	93101-25M03-00	..OIL SEAL	2	

CONTINUED ON NEXT FRAME >

REPAIR KIT 2



FWD
6C28110-L330

Ref No.	Part Number	Description	Qty	Remarks
21	663-44366-00-00	. DAMPER, WATER SEAL 2	1	
22	93210-07003-00	. O-RING	1	
23	6H3-W0078-02-00	WATER PUMP REPAIR KIT	1	
24	663-44322-00-00	. .INSERT, CARTRIDGE	1	
25	6H3-44352-00-00	. .IMPELLER	1	
26	6H3-44315-A0-00	. .GASKET, WATER PUMP	1	
27	6H3-44323-00-00	. .OUTER PLATE, CARTRIDGE	1	
28	6H3-44324-A0-00	. .GASKET, CARTRIDGE	1	
29	688-44316-A0-00	. .GASKET, WATER PUMP	1	
30	93210-46044-00	. O-RING	1	
31	90119-08M14-00	. BOLT, WITH WASHER	2	
32	90119-08M33-00	. .BOLT, WITH WASHER	2	
33	90280-03M03-00	. .KEY, WOODRUFF	1	
34	6H3-W0078-1A-00	CHROME PUMP KIT	1	
35	663-44322-40-00	. .INSERT, CARTRIDGE	1	
36	6H3-44323-40-00	. .OUTER PLATE, CARTRIDGE	1	