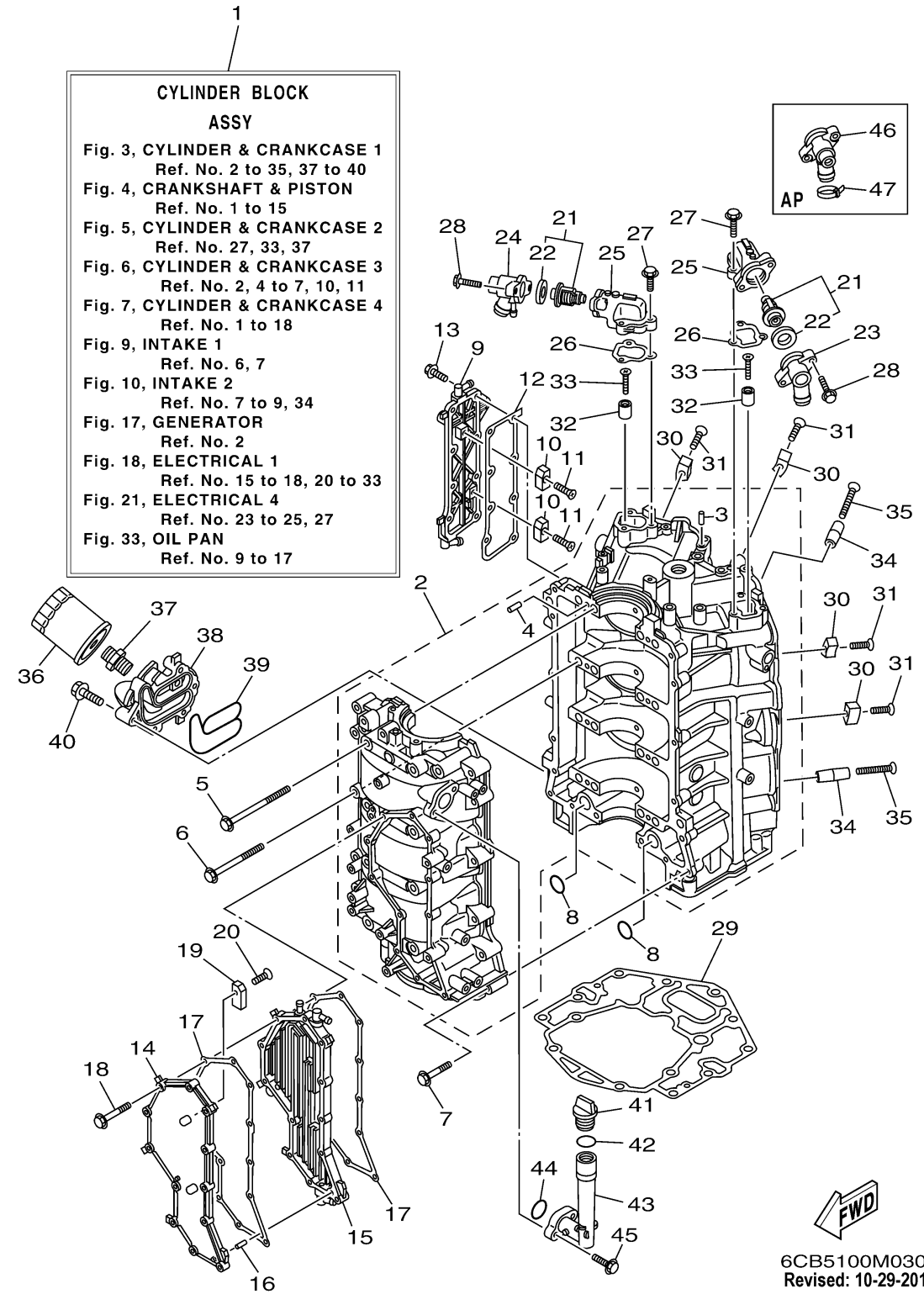


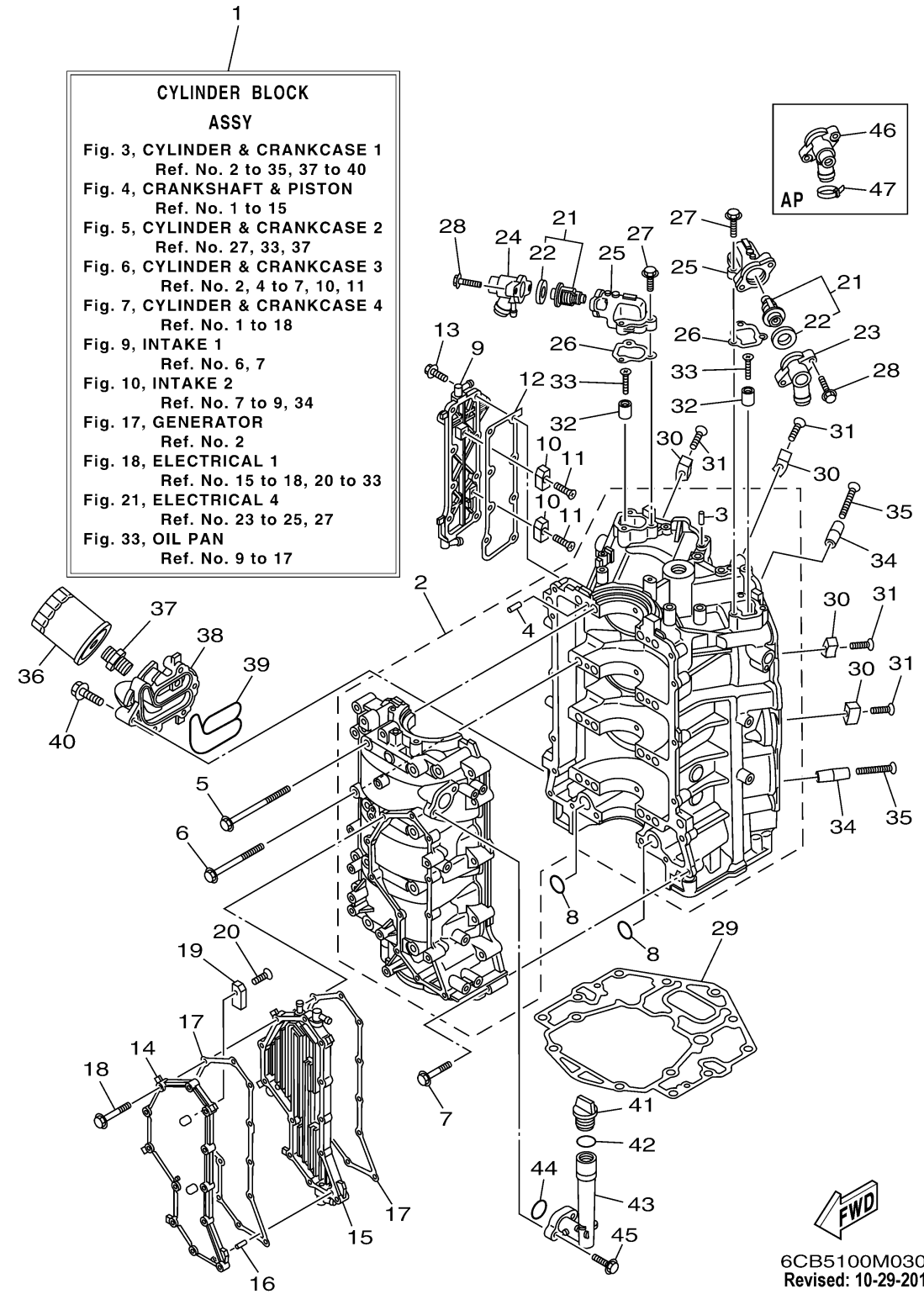
CYLINDER CRANKCASE 1



| Ref No. | Part Number | Description | Qty | Remarks |
|---------|-----------------|----------------------------|-----|------------------|
| 1 | 6CB-W009B-05-00 | CYLINDER BLOCK ASSY | 1 | |
| 1 | 6CB-W009B-06-00 | CYLINDER BLOCK ASSY | 1 | UR 6CD: 1002575- |
| 2 | 6CB-15100-10-00 | CRANKCASE ASSY | 1 | |
| 3 | 93606-12019-00 | .PIN, DOWEL | 3 | |
| 4 | 93606-12019-00 | .PIN, DOWEL | 8 | |
| 5 | 6CB-15187-00-00 | BOLT | 8 | |
| 6 | 6CB-15481-00-00 | BOLT 1 | 8 | |
| 7 | 90105-08175-00 | BOLT, FLANGE | 16 | |
| 8 | 93210-26658-00 | .O-RING | 2 | |
| 9 | 6CB-1131C-00-00 | COVER, JOINT | 1 | |
| 10 | 63P-11325-01-00 | ANODE | 2 | |
| 11 | 90151-06M02-00 | SCREW, COUNTERSUNK | 2 | |
| 12 | 6CB-1131B-00-00 | .GASKET, COVER | 1 | |
| 13 | 90105-06M07-00 | .BOLT, FLANGE | 8 | |
| 14 | 6CB-15411-00-00 | COVER, CRANKCASE 1 | 1 | |
| 15 | 6CB-15421-10-00 | COVER, CRANKCASE 2 | 1 | |
| 16 | 91690-40010-00 | PIN, SPRING | 1 | |
| 17 | 6CB-15451-00-00 | .GASKET, CRANKCASE COVER 1 | 2 | |
| 18 | 90105-06151-00 | BOLT, FLANGE | 12 | |
| 19 | 63P-11325-01-00 | ANODE | 2 | |

CONTINUED ON NEXT FRAME >

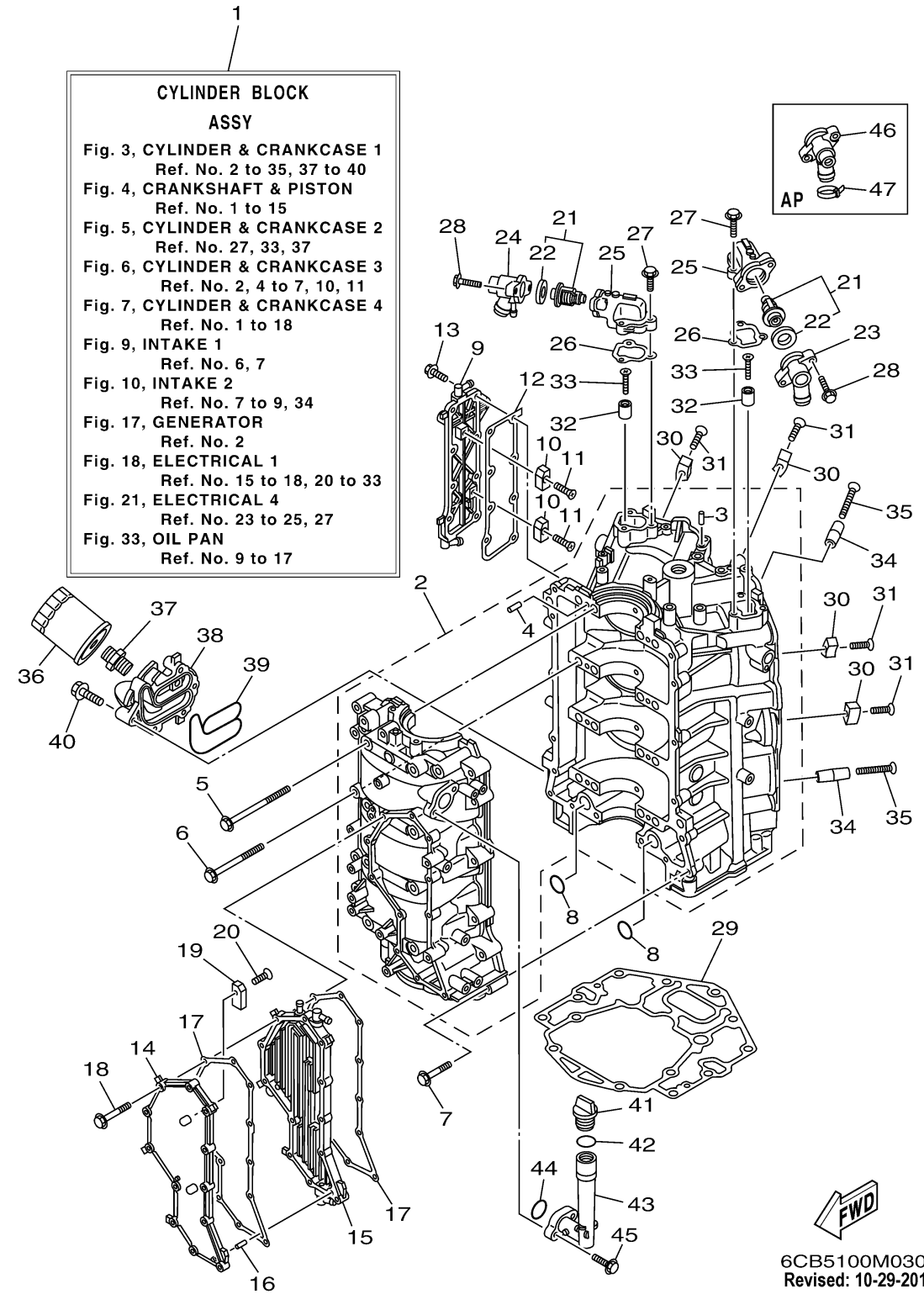
CYLINDER CRANKCASE 1



| Ref No. | Part Number | Description | Qty | Remarks |
|---------|-----------------|---------------------------|-----|---------|
| 20 | 90151-06M02-00 | SCREW, COUNTERSUNK | 2 | |
| 21 | 6CB-12411-10-00 | THERMOSTAT | 2 | |
| 22 | 67F-12412-00-00 | .SEAL, THERMOSTAT | 1 | |
| 23 | 6CB-12413-20-00 | COVER, THERMOSTAT | 1 | |
| 24 | 6CB-12413-11-00 | COVER, THERMOSTAT | 1 | |
| 25 | 6CB-12422-10-9S | COVER, HOUSING | 2 | |
| 26 | 6CB-12427-10-00 | .GASKET, HOUSING COVER 1 | 2 | |
| 27 | 95027-06025-00 | BOLT, FLANGE | 6 | |
| 28 | 90105-06037-00 | BOLT, FLANGE | 4 | |
| 29 | 6CB-11351-00-00 | .GASKET, CYLINDER | 1 | |
| 30 | 6AW-1132P-00-00 | ANODE 5 | 4 | |
| 31 | 98780-06530-00 | SCREW, FLAT HEAD | 4 | |
| 32 | 68T-11325-00-00 | ANODE | 2 | |
| 33 | 90151-05M05-00 | SCREW, COUNTERSUNK | 2 | |
| 34 | 6AW-1132N-01-00 | ANODE 4 | 2 | |
| 35 | 98780-06550-00 | SCREW, FLAT HEAD | 2 | |
| 36 | N26-13440-00-00 | ELEMENT ASSY, OIL CLEANER | 1 | |
| 37 | 90401-19001-00 | BOLT, UNION | 1 | |
| 38 | 6CB-13446-00-00 | CONNECTOR | 1 | |
| 39 | 6CB-13477-00-00 | .GASKET | 1 | |

CONTINUED ON NEXT FRAME >

CYLINDER CRANKCASE 1



| Ref No. | Part Number | Description | Qty | Remarks |
|---------|-----------------|---------------------|-----|----------------------|
| 40 | 90105-06151-00 | BOLT, FLANGE | 5 | |
| 41 | 6G8-15363-00-00 | PLUG, OIL | 1 | |
| 42 | 93210-24M79-00 | .O-RING | 1 | |
| 43 | 6CB-15319-00-00 | JOINT | 1 | |
| 44 | 93210-27370-00 | .O-RING | 1 | |
| 45 | 90105-06037-00 | BOLT, FLANGE | 2 | |
| 46 | 6CB-1241B-01-00 | COVER, THERMOSTAT 2 | 1 | AP WATER TEMP SENSOR |
| 47 | 90465-11M59-00 | CLAMP | 1 | AP WATER TEMP SENSOR |