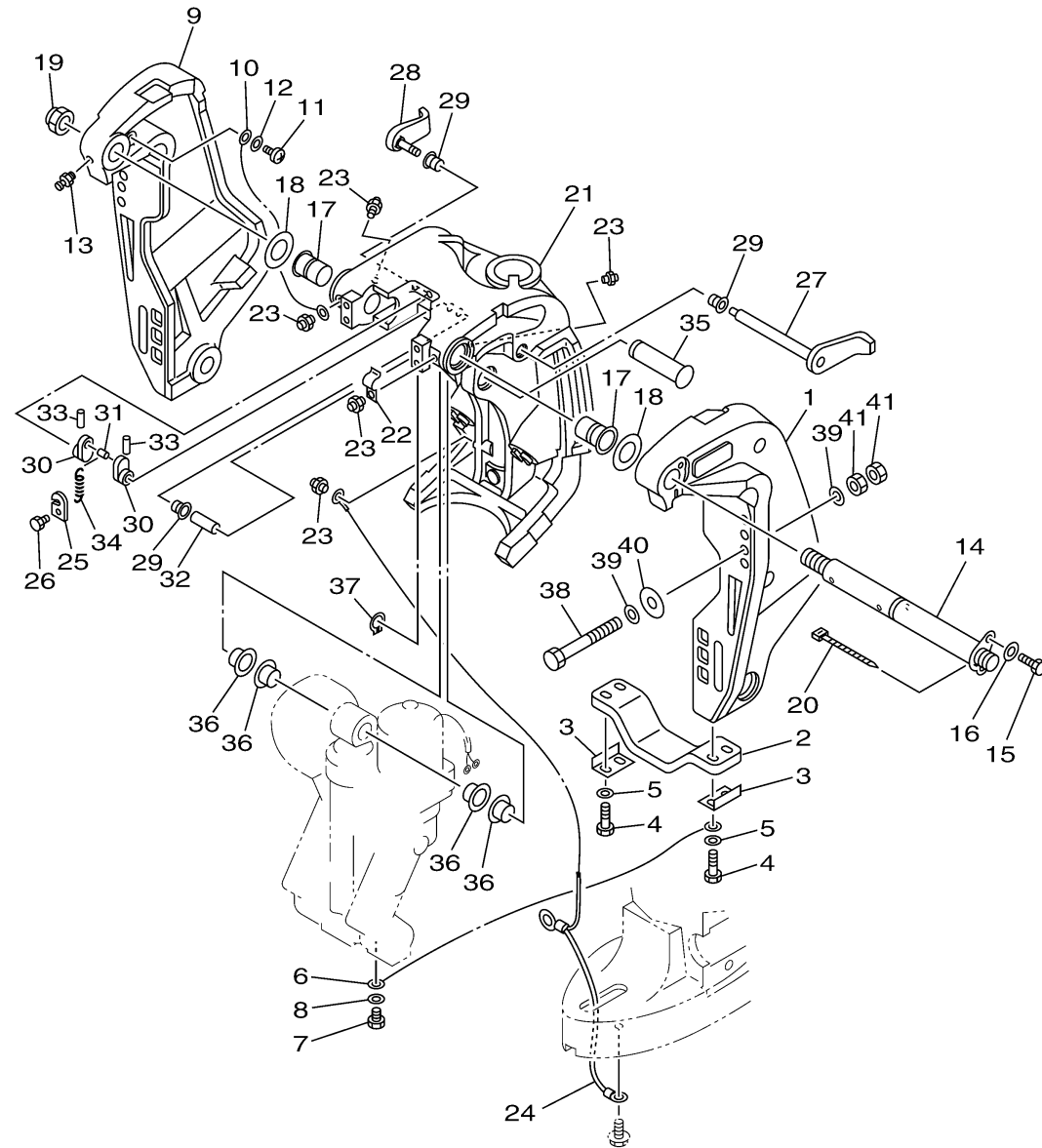


BRACKET 1



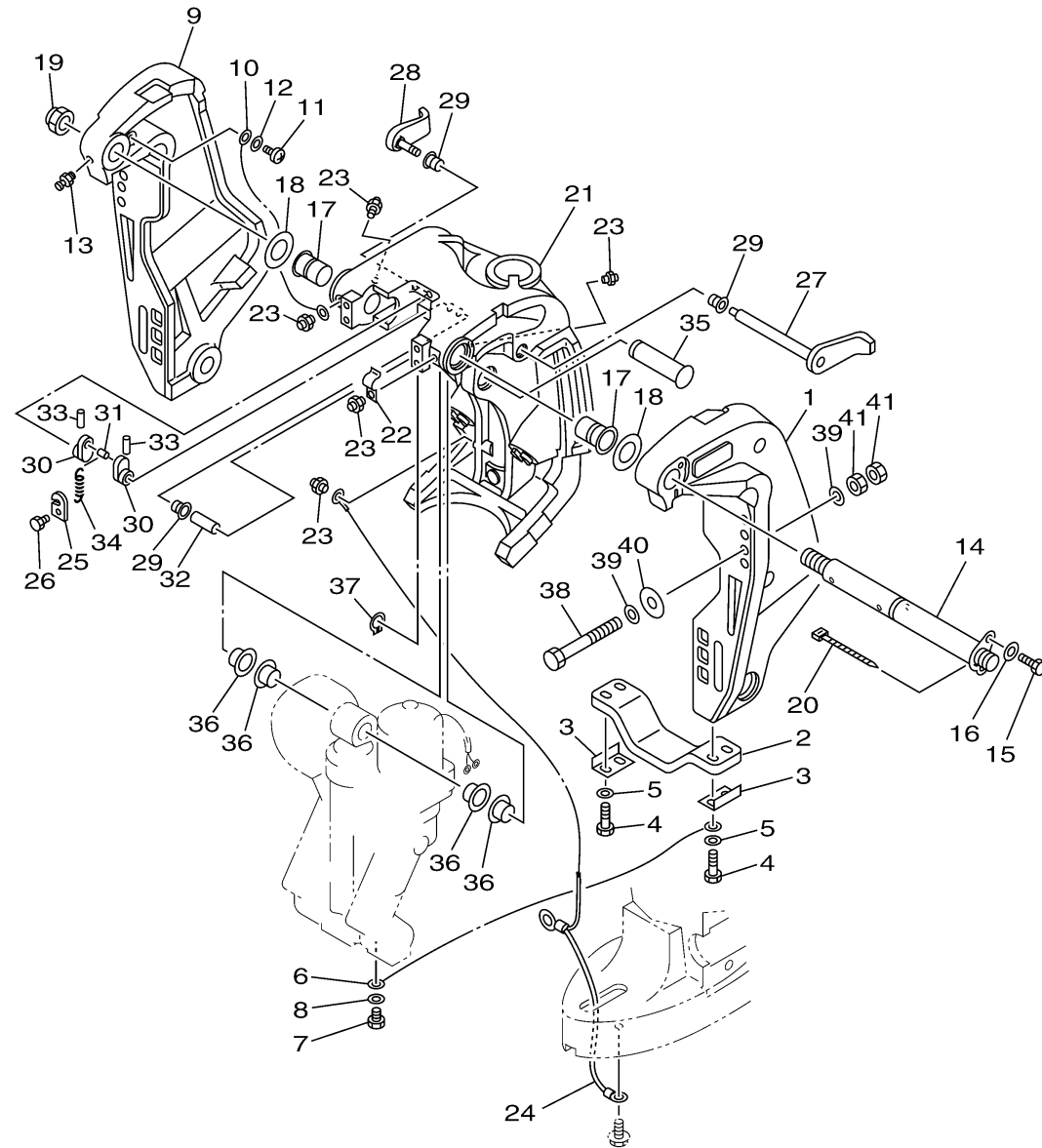
Ref No.	Part Number	Description	Qty	Remarks
1	68V-43111-01-8D	BRACKET, CLAMP 1	1	
2	6G5-45251-02-00	ANODE	1	
3	6G5-44526-00-00	PLATE	2	
4	97095-06030-00	BOLT	4	
5	92995-06600-00	WASHER	4	
6	6E5-82148-00-00	WIRE, LEAD 4	1	
7	97095-06010-00	BOLT	1	
8	92995-06600-00	WASHER	1	
9	68V-43112-01-8D	BRACKET, CLAMP 2	1	
10	6E5-82148-00-00	WIRE, LEAD 4	1	
11	97885-06012-00	SCREW, PAN HEAD	1	
12	92995-06600-00	WASHER	1	
13	93700-06M03-00	NIPPLE, GREASE	1	
14	64E-43131-30-00	BOLT, CLAMP BRACKET	1	FOR TILT LIMIT
15	97095-08020-00	BOLT	1	
16	92995-08600-00	WASHER	1	
17	90386-25M31-00	BUSH	2	
18	90201-26M59-00	WASHER, PLATE	2	
19	90185-22M11-00	NUT, SELF-LOCKING	1	
20	90465-11M10-00	CLAMP	1	

CONTINUED ON NEXT FRAME >



68VD700-M210

BRACKET 1



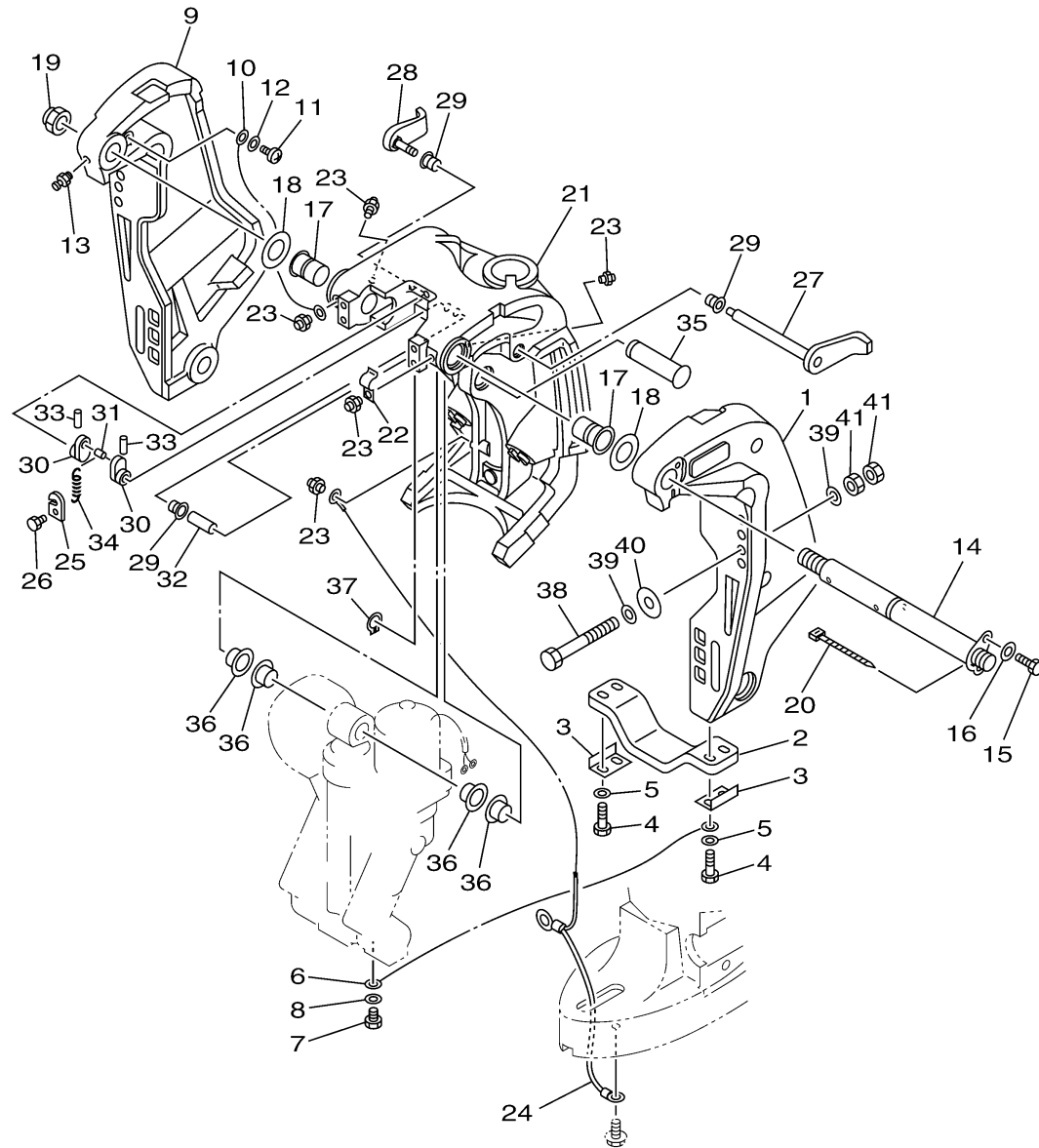
Ref No.	Part Number	Description	Qty	Remarks
21	64E-43311-10-8D	BRACKET, SWIVEL 1	1	L(20.3")
21	64E-43311-20-8D	BRACKET, SWIVEL 1	0	X(25.3")
22	90465-08M63-00	CLAMP	1	
23	93700-06M03-00	NIPPLE, GREASE	5	
24	66K-82149-00-00	WIRE, LEAD 3	1	L(20.3")
24	68V-82149-30-00	WIRE, LEAD 3	0	X(25.3")
25	66T-43144-00-00	HOOK, SPRING	1	
26	97095-06010-00	BOLT	1	
27	6G5-43181-02-00	LEVER, TILT STOP 1	1	
28	6G5-43185-02-00	LEVER, TILT STOP 2	1	
29	90386-10M16-00	BUSH	3	
30	6G5-43148-00-00	COLLAR, DISTANCE	2	
31	90249-06M19-00	PIN	1	
32	90387-10M05-00	COLLAR	1	
33	91690-30020-00	PIN, SPRING	2	
34	90506-14M24-00	SPRING, TENSION	1	
35	64E-43126-00-00	PIN, UPPER SHOCK MOUNT	1	
36	90386-22M98-00	BUSH	4	
37	93410-22M11-00	CIRCLIP	1	
38	90101-12047-00	BOLT (L:150MM)	0	UR

CONTINUED ON NEXT FRAME >


68VD700-M210

BRACKET 1

Ref No.	Part Number	Description	Qty	Remarks
38	90101-12M05-00	BOLT (L:130MM)	0	UR
38	90101-12M05-00	BOLT (L:130MM)	4	
39	90201-13M01-00	WASHER, PLATE	8	
40	90201-12426-00	WASHER, PLATE	4	
41	95380-12600-00	NUT	8	



FWD
68VD700-M210