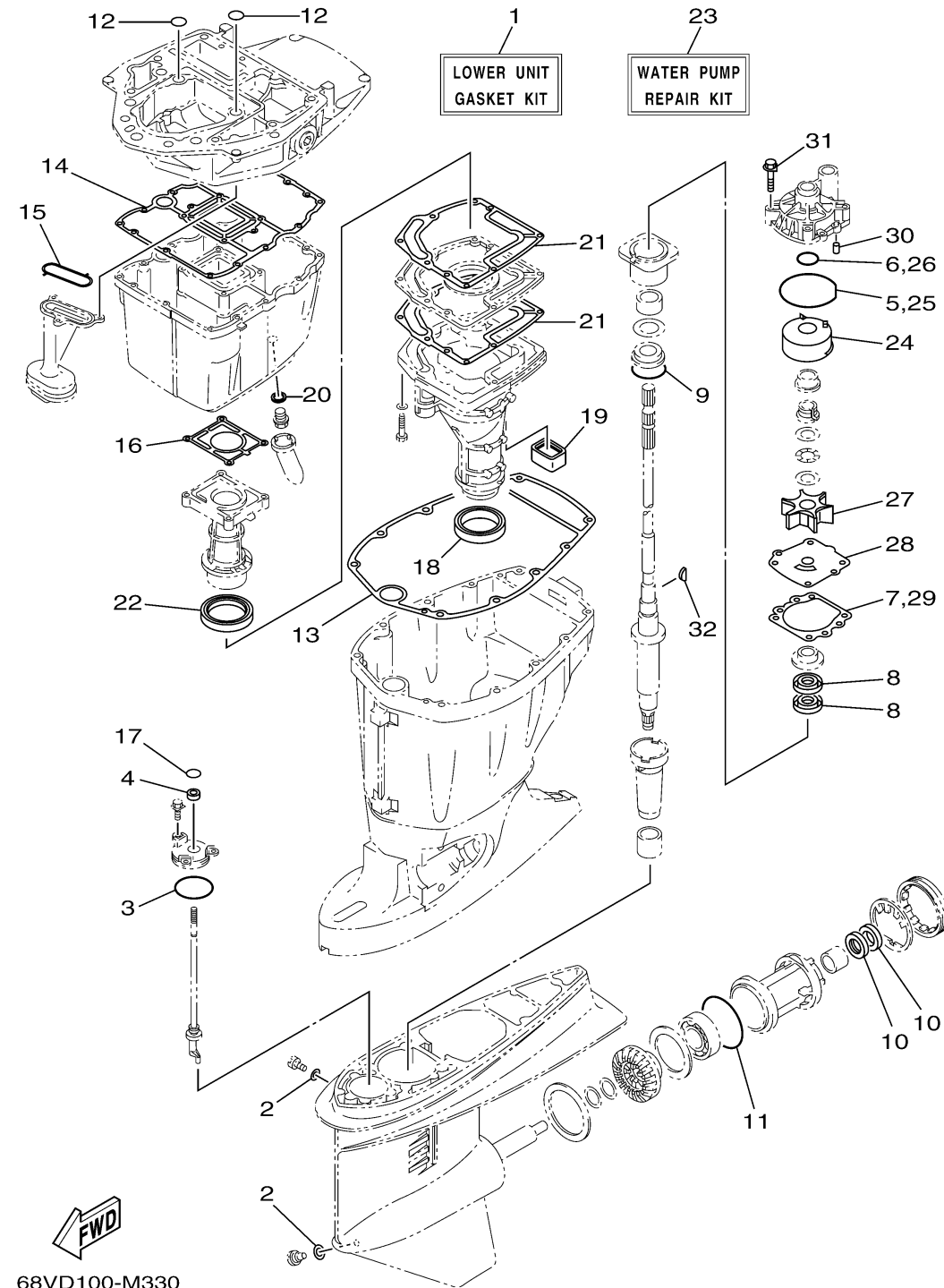


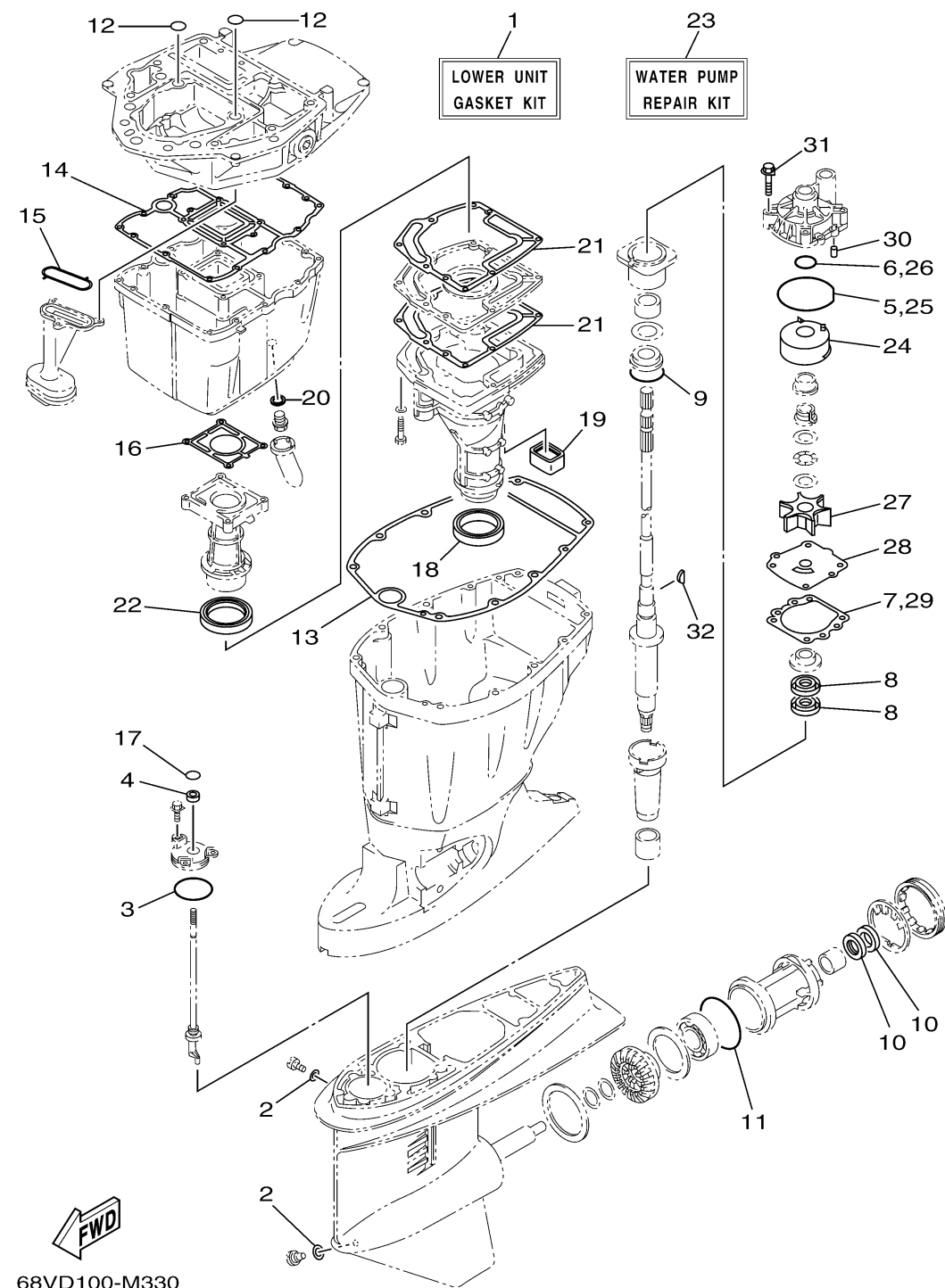
# REPAIR KIT 2



\*: EXCEPT FOR JET DRIVE(F115JA)

Ref No.	Part Number	Description	Qty	Remarks
1	68V-W0001-21-00	LOWER UNIT GASKET KIT	1	
2	90430-08020-00	. GASKET	2	
3	93210-58144-00	. .O-RING	1	
4	93106-09014-00	. .OIL SEAL	1	
5	93210-86M38-00	. .O-RING	1	
6	93210-37160-00	. O-RING	1	
7	6E5-44315-A0-00	. .GASKET, WATER PUMP	1	
8	93101-28M16-00	. .OIL SEAL	2	
9	93210-55M14-00	. .O-RING	1	
10	93101-30M17-00	. .OIL SEAL	2	
11	93210-86M39-00	. .O-RING	1	
12	93210-19MJ1-00	. .O-RING	2	
13	67F-45113-00-00	. .GASKET, UPPER CASING	1	
14	68V-15312-00-00	. .GASKET, OIL PAN	1	
15	67F-13415-00-00	. .SEAL, OIL STRAINER	1	
16	67F-41133-A1-00	. .GASKET, EXHAUST MANIFOLD 1	1	
17	93210-09165-00	. O-RING	1	
18	68V-45123-00-00	. .GASKET, MUFFLER	1	
19	67F-45127-00-00	. .SEAL	1	
20	90430-14M09-00	. .GASKET	1	

CONTINUED ON NEXT FRAME >



68VD100-M330

\*: EXCEPT FOR JET DRIVE(F115JA)

## REPAIR KIT 2

Ref No.	Part Number	Description	Qty	Remarks
21	67F-41134-A0-00	. .GASKET, EXHAUST MANIFOLD	2	
22	67F-41138-00-00	. .SEAL, EXT. 1	1	
23	68V-W0078-00-00	WATER PUMP REPAIR KIT	1	
24	61A-44322-02-00	. .INSERT, CARTRIDGE	1	
25	93210-86M38-00	. .O-RING	1	
26	93210-37160-00	. .O-RING	1	
27	6E5-44352-01-00	. .IMPELLER	1	
28	6EK-44323-00-00	. .OUTER PLATE, CARTRIDGE	1	
29	6E5-44315-A0-00	. .GASKET, WATER PUMP	1	
30	93606-12019-00	. .PIN, DOWEL	2	
31	90119-08M14-00	. .BOLT, WITH WASHER	4	
32	90280-04M05-00	. .KEY, WOODRUFF	1	