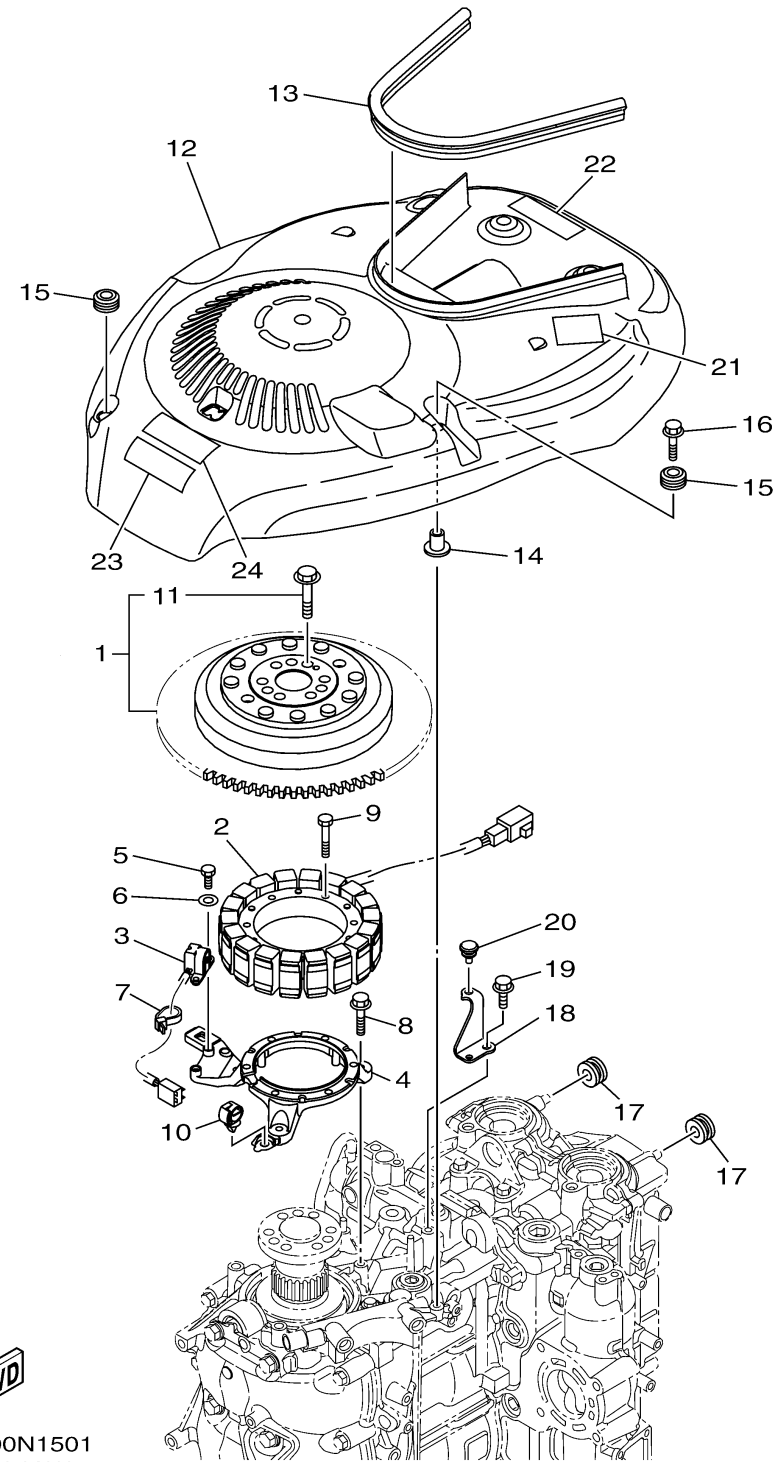


# GENERATOR



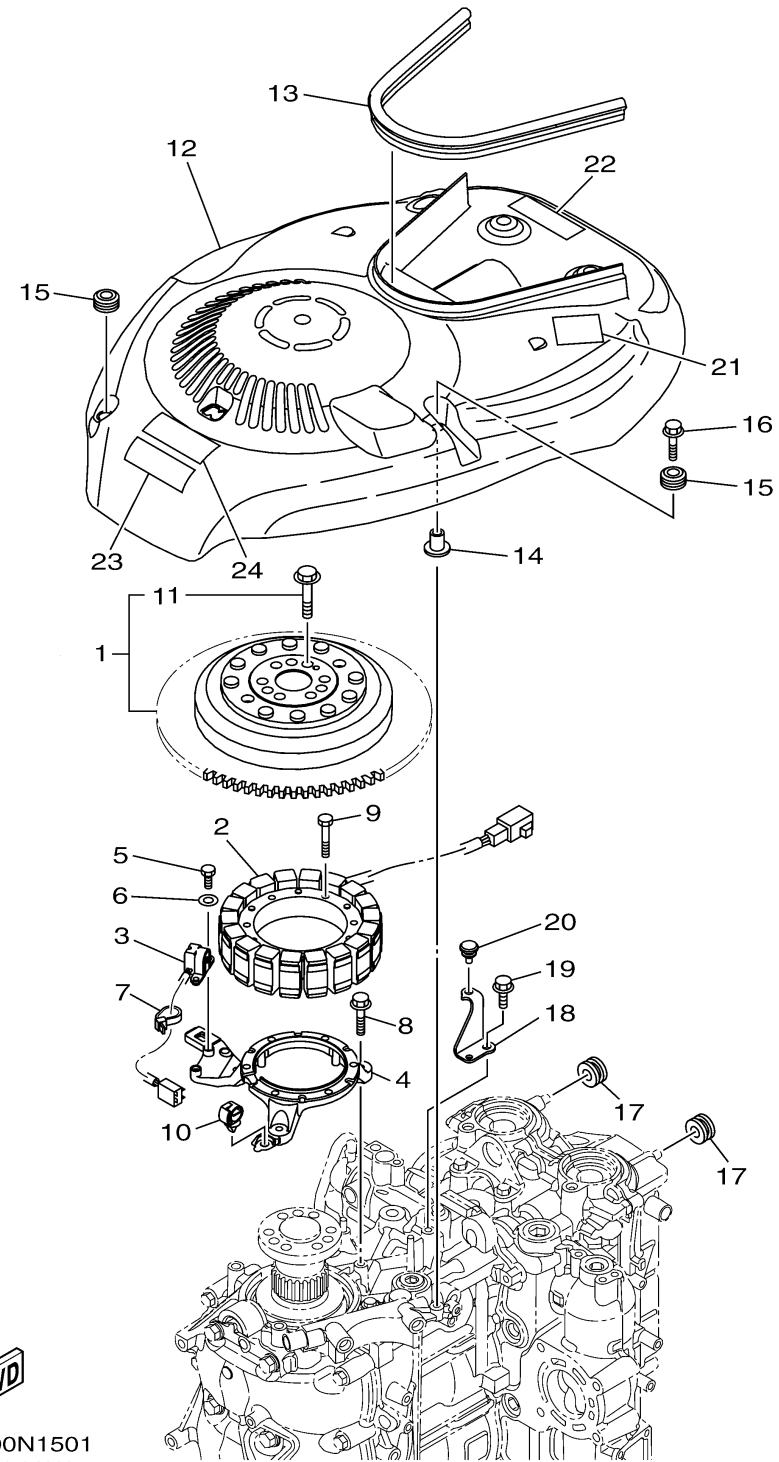
6EK1100N1501  
Revised: 9-4-2014

Ref No.	Part Number	Description	Qty	Remarks
1	6EK-W8145-00-00	ROTOR ASSY WITH BOLTS	1	
2	6EK-81410-00-00	STATOR ASSY	1	
3	6CB-85580-00-00	COIL, PULSER	1	
4	6EK-85561-00-00	BASE, MAGNETO	1	
5	97095-05016-00	BOLT	2	
6	92995-05600-00	WASHER	2	
7	90465-13M97-00	CLAMP	1	
8	95895-06030-00	BOLT, FLANGE	3	
9	91312-06035-00	BOLT, HEXAGON SOCKET HEAD	6	
10	90464-13249-00	CLAMP	1	
11	6EK-W9010-00-00	. .BOLT SET	1	
12	6EK-81337-00-00	COVER, FLYWHEEL	1	
13	6EK-42617-00-00	DAMPER, FORM	1	
14	90387-06119-00	.COLLAR	1	
15	6A0-82317-00-00	.DAMPER, IGNITION COIL	2	
16	95895-06030-00	BOLT, FLANGE	1	
17	90480-12314-00	GROMMET	2	
18	6EK-8132G-00-00	PLATE	1	
19	95895-06016-00	BOLT, FLANGE	1	
20	90480-06M19-00	GROMMET	1	

CONTINUED ON NEXT FRAME >

# GENERATOR

Ref No.	Part Number	Description	Qty	Remarks
21	6EK-83626-00-00	MARK 6	1	
22	6EK-13437-50-00	MARK, CAUTION	1	
23	6AH-81994-40-00	LABEL, SAFETY	1	
24	6AH-81994-50-00	LABEL, SAFETY	1	



6EK1100N1501  
Revised: 9-4-2014