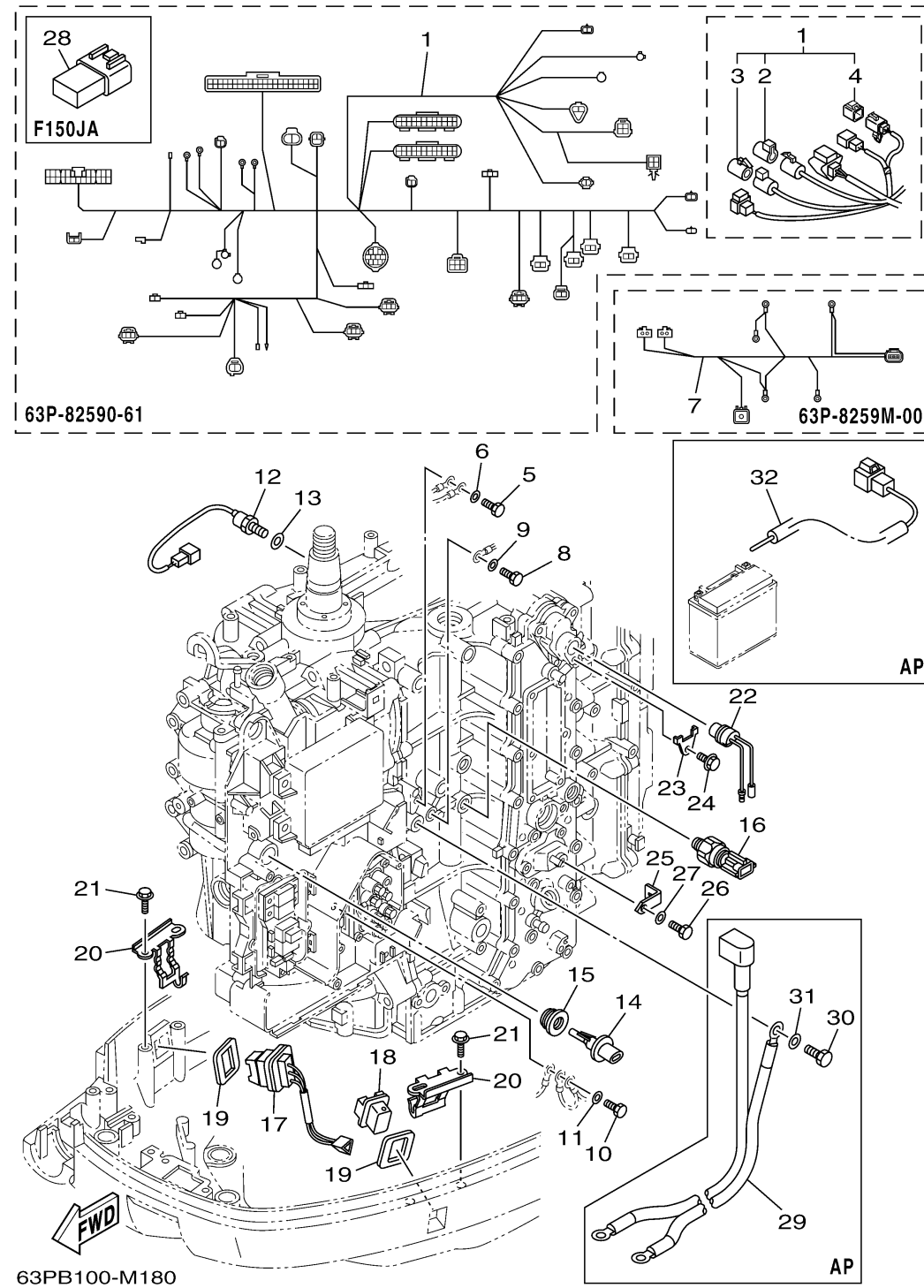


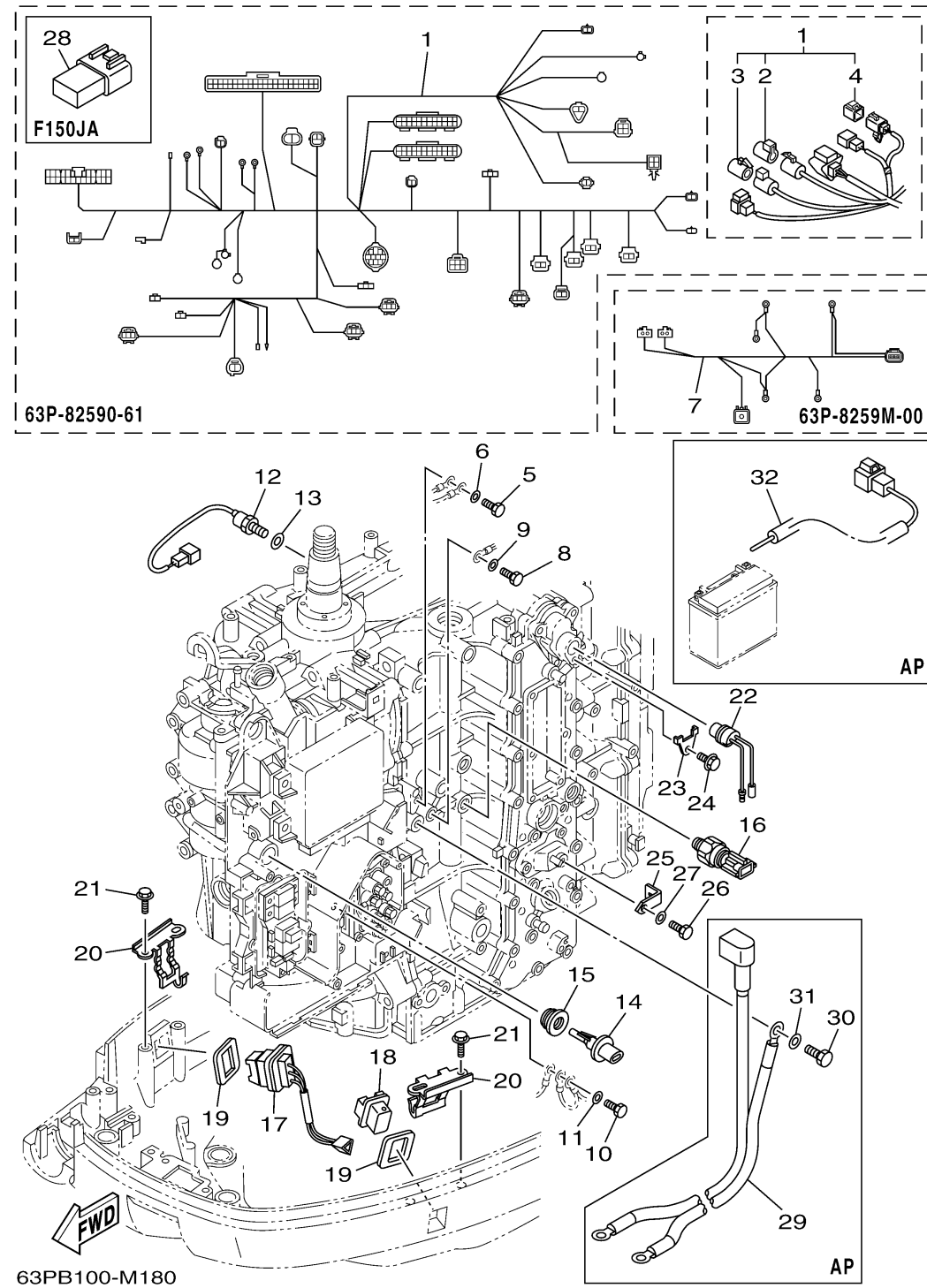
ELECTRICAL 3



Ref No.	Part Number	Description	Qty	Remarks
1	63P-82590-61-00	WIRE HARNESS ASSY	1	FOR TILT LIMIT
2	6DA-82582-00-00	..CAP 1 (FEMALE)	1	
3	6DA-82582-10-00	..CAP 1 (MALE)	1	
4	6Y8-82582-11-00	..CAP 1 (4PIN)	1	
5	97095-06016-00	BOLT	1	
6	92995-06600-00	WASHER	1	
7	63P-8259M-00-00	WIRE HARNESS ASSY 2	1	
8	97095-06016-00	BOLT	1	
9	92995-06600-00	WASHER	1	
10	97095-06012-00	BOLT	1	
11	92995-06600-00	WASHER	1	
12	61A-85790-00-00	THERMOSENSOR ASSY	1	
13	92990-10600-00	WASHER, PLATE	1	
14	63P-85886-00-00	SENSOR, AIR TEMPERATURE	1	
15	63P-14435-00-00	GROMMET	1	
16	6AW-83651-00-00	SENDER, OIL PRESSURE	1	
17	69J-82563-00-00	TRIM & TILT SWITCH ASSY	1	
18	69J-42723-01-00	COVER, BOTTOM	1	
19	69J-82587-00-00	GASKET	2	
20	63P-83614-01-00	BRACKET	2	

CONTINUED ON NEXT FRAME >

ELECTRICAL 3



Ref No.	Part Number	Description	Qty	Remarks
21	90109-06M86-00	BOLT	4	
22	6P2-82560-01-00	THERMO SWITCH ASSY	1	
23	6E9-82588-00-00	PLATE	1	
24	90109-06M80-00	BOLT	1	
25	63P-8366P-01-00	BRACKET 4	1	
26	97095-06012-00	BOLT	1	
27	92995-06600-00	WASHER	1	
28	68V-82582-10-00	COVER, WIRE HARNESS	0	FOR JET-DRIVE
29	63P-82105-01-00	BATTERY CABLE	1	AP
30	97095-08016-00	BOLT	1	AP
31	92995-08600-00	WASHER	1	AP
32	68F-81949-02-00	WIRE, LEAD (ISOLATOR, 2.7M)	1	AP