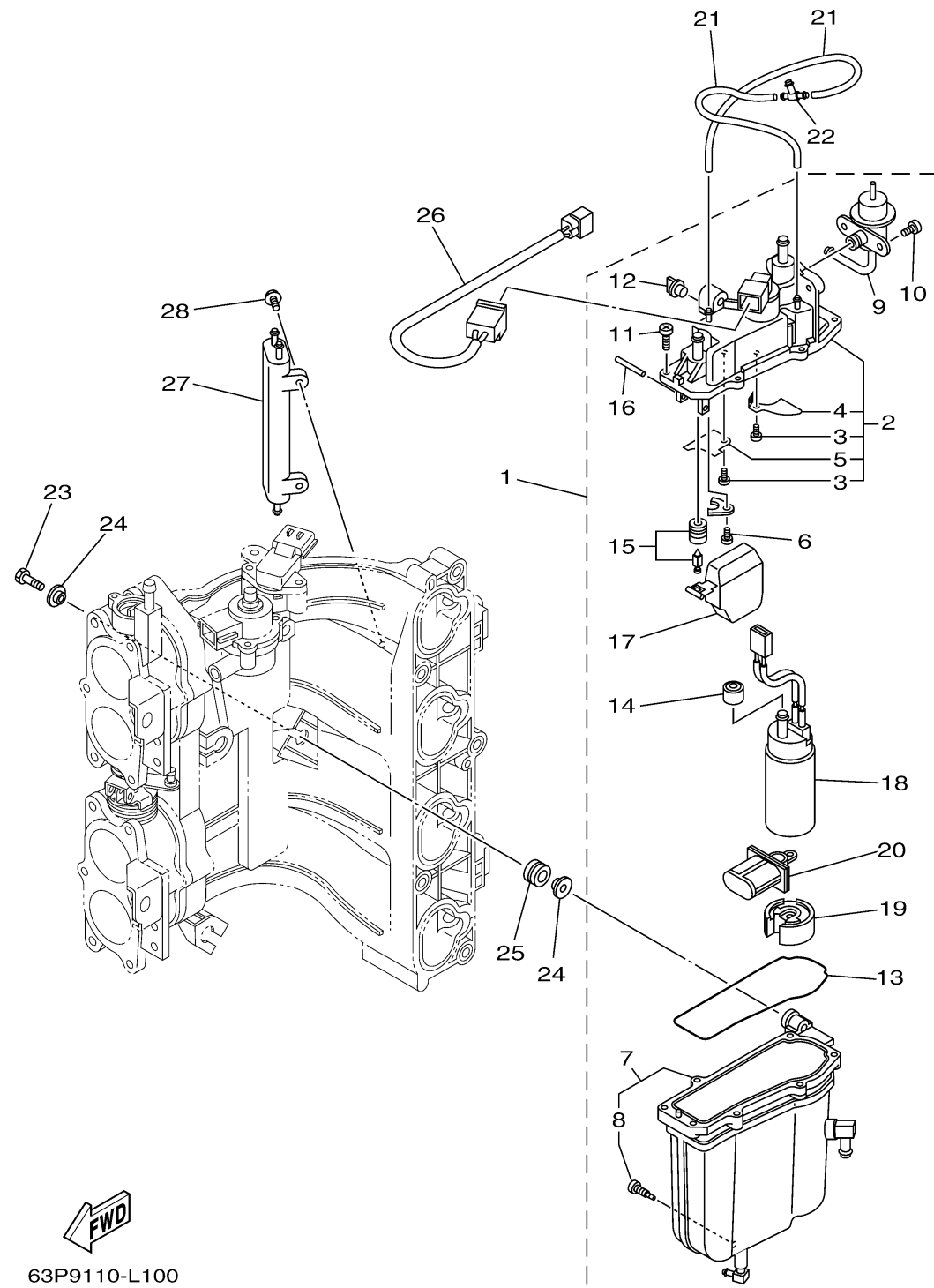


FUEL INJECTION PUMP 1

Ref No.	Part Number	Description	Qty	Remarks
1	63P-14180-02-00	FLOAT CHAMBER ASSY	1	
2	63P-14182-00-00	..COVER, FLOAT CHAMBER	1	
3	4SV-24453-00-00	.. SCREW	2	
4	63P-2411R-00-00	...PLATE 1	1	
5	63P-2411T-00-00	...PLATE 2	1	
6	4SV-24453-00-00	. SCREW	1	
7	63P-14181-00-00	..BODY, FLOAT CHAMBER 1	1	
8	63P-14191-00-00	...PLUG, DRAIN	1	
9	63P-13906-00-00	..REGULATOR, PRESSURE	1	
10	63P-14565-00-00	.. SCREW	2	
11	63P-14567-00-00	.. SCREW	7	
12	69J-14225-01-00	..CAP	1	
13	63P-14984-00-00	..GASKET, FLOAT CHAMBER	1	
14	68V-13781-20-00	..GROMMET & COLLAR SET	1	
15	63P-14546-00-00	..VALVE, NEEDLE	1	
16	68V-14386-00-00	..PIN, FLOAT	1	
17	63P-14985-00-00	..FLOAT	1	
18	63P-13907-03-00	..FUEL PUMP COMP.	1	
19	63P-13784-00-00	..COVER, PUMP	1	
20	63P-13915-00-00	.. FILTER	1	

CONTINUED ON NEXT FRAME >



63P9110-L100

FUEL INJECTION PUMP 1

Ref No.	Part Number	Description	Qty	Remarks
21	63P-14148-00-00	PIPE	2	
22	69J-24379-00-00	.PIPE, JOINT 4	1	
23	63P-14777-00-00	BOLT	3	
24	69J-13716-00-00	COLLAR	6	
25	6BM-13593-00-00	DAMPER	3	
26	63P-8259L-00-00	WIRE HARNESS ASSY 1	1	
27	69J-21841-02-00	COOLER	1	
28	68V-14446-00-00	BOLT	2	

