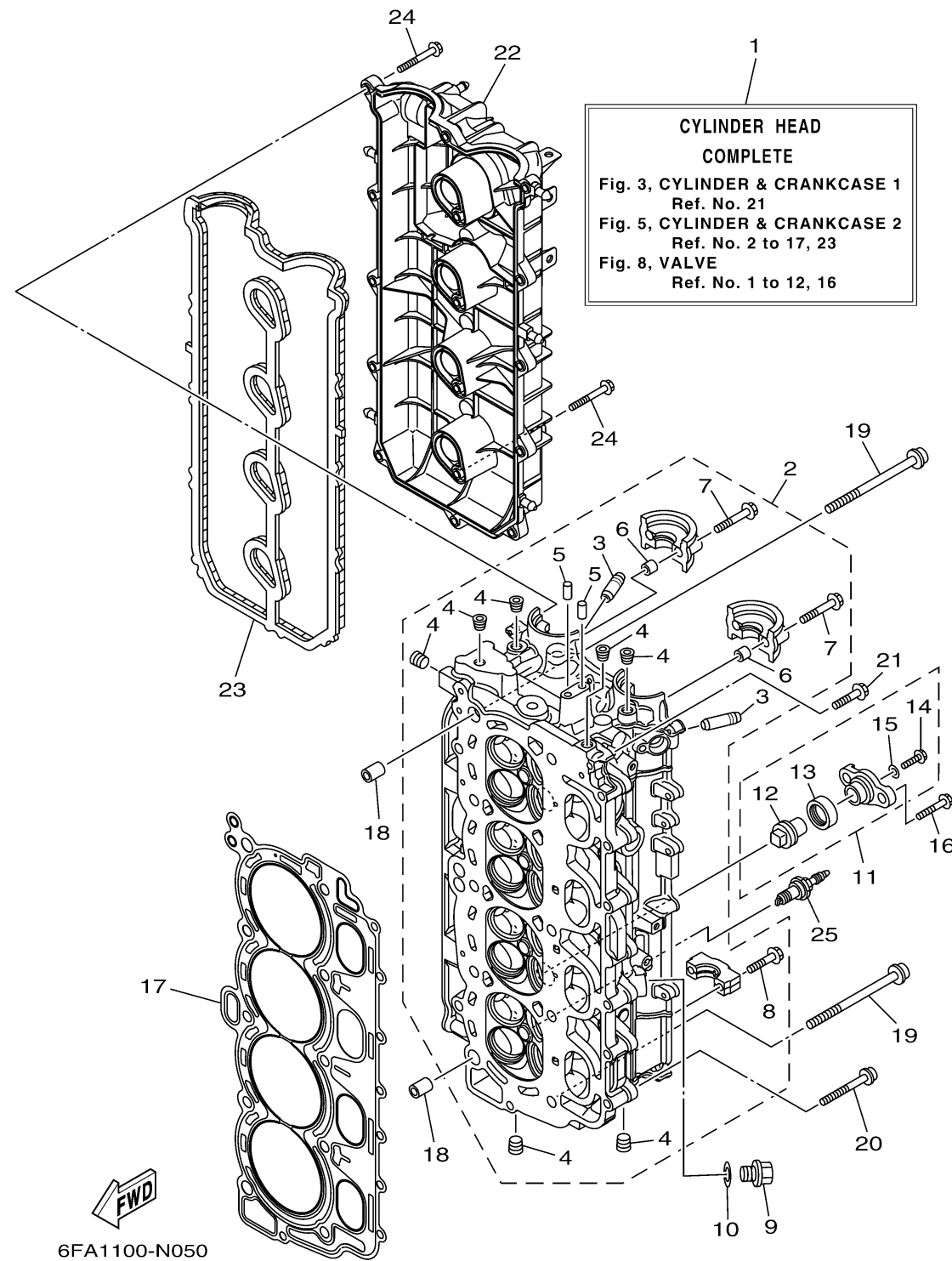


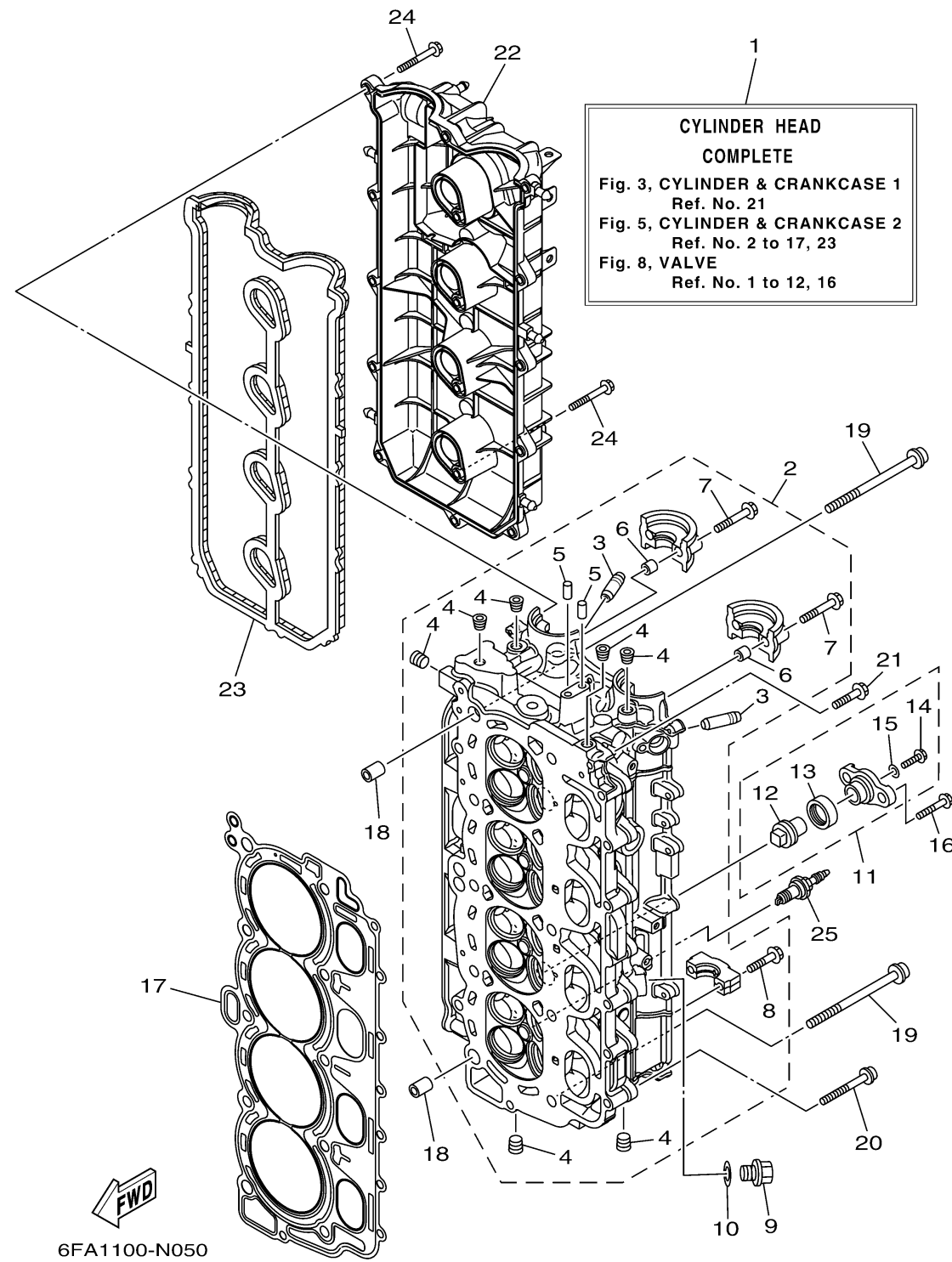
# CYLINDER CRANKCASE 2



Ref No.	Part Number	Description	Qty	Remarks
1	6FA-W009A-00-9S	CYLINDER HEAD COMPLETE	1	
2	6FA-11110-00-9S	CYLINDER HEAD ASSY	1	
3	6DA-11133-10-00	. .GUIDE, VALVE 1	16	
4	90344-51019-00	. .PLUG, TAPER SCREW	7	
5	93606-12019-00	. .PIN, DOWEL	2	
6	91809-08006-00	. .PIN, DOWEL	4	
7	90119-07001-00	. .BOLT, WITH WASHER	4	
8	90119-07234-00	. .BOLT, WITH WASHER	16	
9	90340-14M06-00	PLUG, STRAIGHT SCREW	1	
10	90430-14115-00	.GASKET	1	
11	67F-11301-00-00	ANODE COVER ASSY	2	
12	67F-11325-01-00	. .ANODE	1	
13	67F-11328-00-00	. .GROMMET, ANODE	1	
14	90105-06M07-00	. .BOLT, FLANGE	1	
15	90430-06M03-00	. .GASKET	1	
16	95885-08025-00	BOLT, FLANGE	4	
17	6DA-11181-00-00	.GASKET, CYLINDER HEAD 1	1	
18	90387-11005-00	COLLAR	2	
19	90155-11002-00	SCREW, FLAT FILLISTER	10	
20	90105-08175-00	BOLT, FLANGE	8	

CONTINUED ON NEXT FRAME >

## CYLINDER CRANKCASE 2



Ref No.	Part Number	Description	Qty	Remarks
21	90105-06151-00	BOLT, FLANGE	1	
22	6DA-11191-00-00	COVER, CYLINDER HEAD 1	1	
23	6DA-11193-00-00	.GASKET, HEAD COVER 1	1	
24	95895-06030-00	BOLT, FLANGE	16	
25	LFR-6A110-00-00	PLUG, SPARK (NGK LFR6A-11)	4	