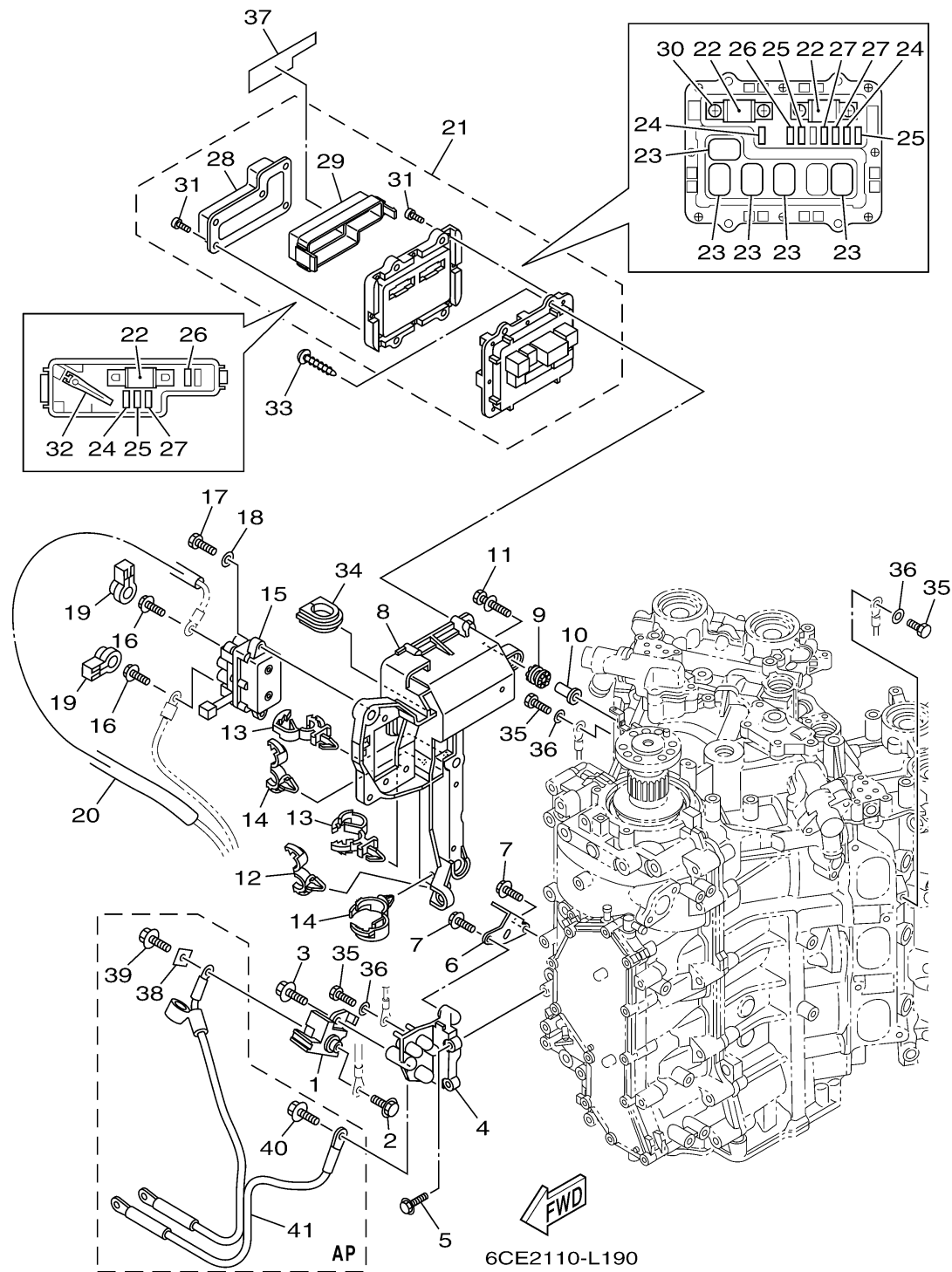


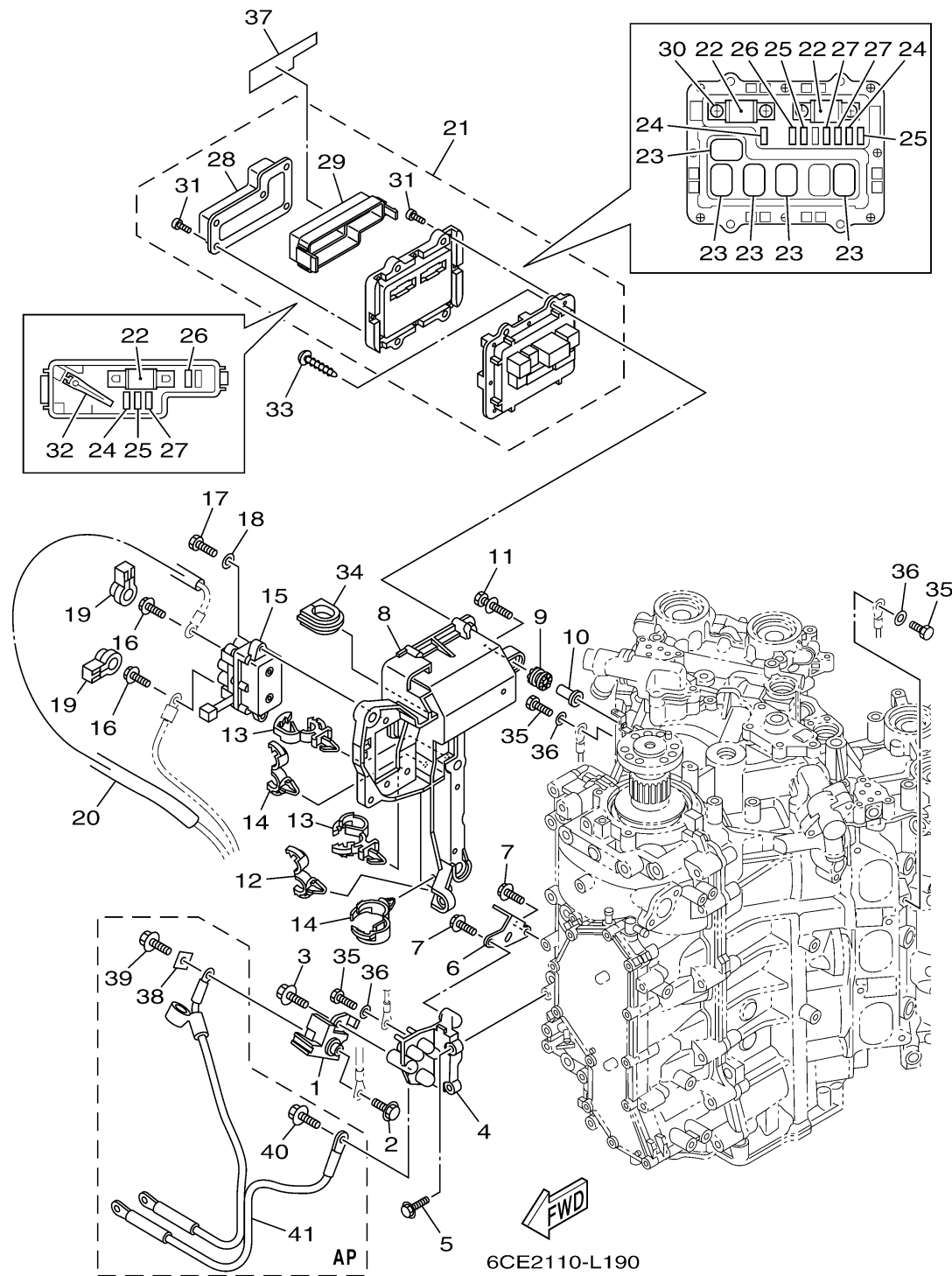
ELECTRICAL 3



Ref No.	Part Number	Description	Qty	Remarks
1	6P2-81925-01-00	TERMINAL	1	
2	95895-08016-00	BOLT, FLANGE	1	
3	95814-08020-00	BOLT, FLANGE	1	
4	6CB-81929-00-00	BRACKET, TERMINAL	1	
5	95895-06020-00	BOLT, FLANGE	2	
6	6CE-82588-00-00	PLATE	1	
7	95895-06016-00	BOLT, FLANGE	2	
8	6CB-81948-01-00	BRACKET	1	
9	64J-85516-00-00	SPACER	5	
10	69M-42758-01-00	COLLAR	5	
11	90119-06M56-00	BOLT, WITH WASHER	5	
12	90464-13249-00	CLAMP	1	
13	90464-12183-00	CLAMP	2	
14	90464-20181-00	CLAMP	2	
15	6AW-81950-00-00	RELAY ASSY	1	
16	97595-06610-00	BOLT, WITH WASHER	2	
17	97013-06020-00	BOLT	2	
18	92903-06600-00	WASHER, PLATE	2	
19	6P2-8183X-00-00	CAP, TERMINAL	2	
20	90446-15003-00	HOSE (L100)	1	

CONTINUED ON NEXT FRAME >

ELECTRICAL 3



Ref No.	Part Number	Description	Qty	Remarks
21	6CE-82170-00-00	FUSE BOX ASSY	1	
22	6CE-82151-00-00	..FUSE (100A)	3	
23	68F-8195A-00-00	..RELAY ASSY	5	
24	67F-82151-40-00	..FUSE (10A)	3	
25	67F-82151-50-00	..FUSE (15A)	3	
26	67F-82151-00-00	..FUSE (20A)	2	
27	67F-82151-10-00	..FUSE (30A)	3	
28	6CB-81639-00-00	..COVER	1	
29	6CB-85544-00-00	..CASE	1	
30	68F-82846-00-00	..SCREW, PAN HEAD (M5)	4	
31	6P2-82113-00-00	..SCREW	13	
32	67F-2812A-00-00	..PULLER, FUSE	1	
33	97780-50620-00	SCREW, TAPPING	4	
34	6P2-81336-00-00	GROMMET	1	
35	97095-06016-00	BOLT	5	
36	92995-06600-00	WASHER	5	
37	6CE-81919-20-00	GRAPHIC, REGULATOR	1	
38	6CB-81923-00-00	WASHER	1	AP
39	95895-08016-00	BOLT, FLANGE	1	AP
40	95895-08016-00	BOLT, FLANGE	1	AP

CONTINUED ON NEXT FRAME >

ELECTRICAL 3

Ref No.	Part Number	Description	Qty	Remarks
41	6CB-82105-01-00	BATTERY CABLE	1	AP

