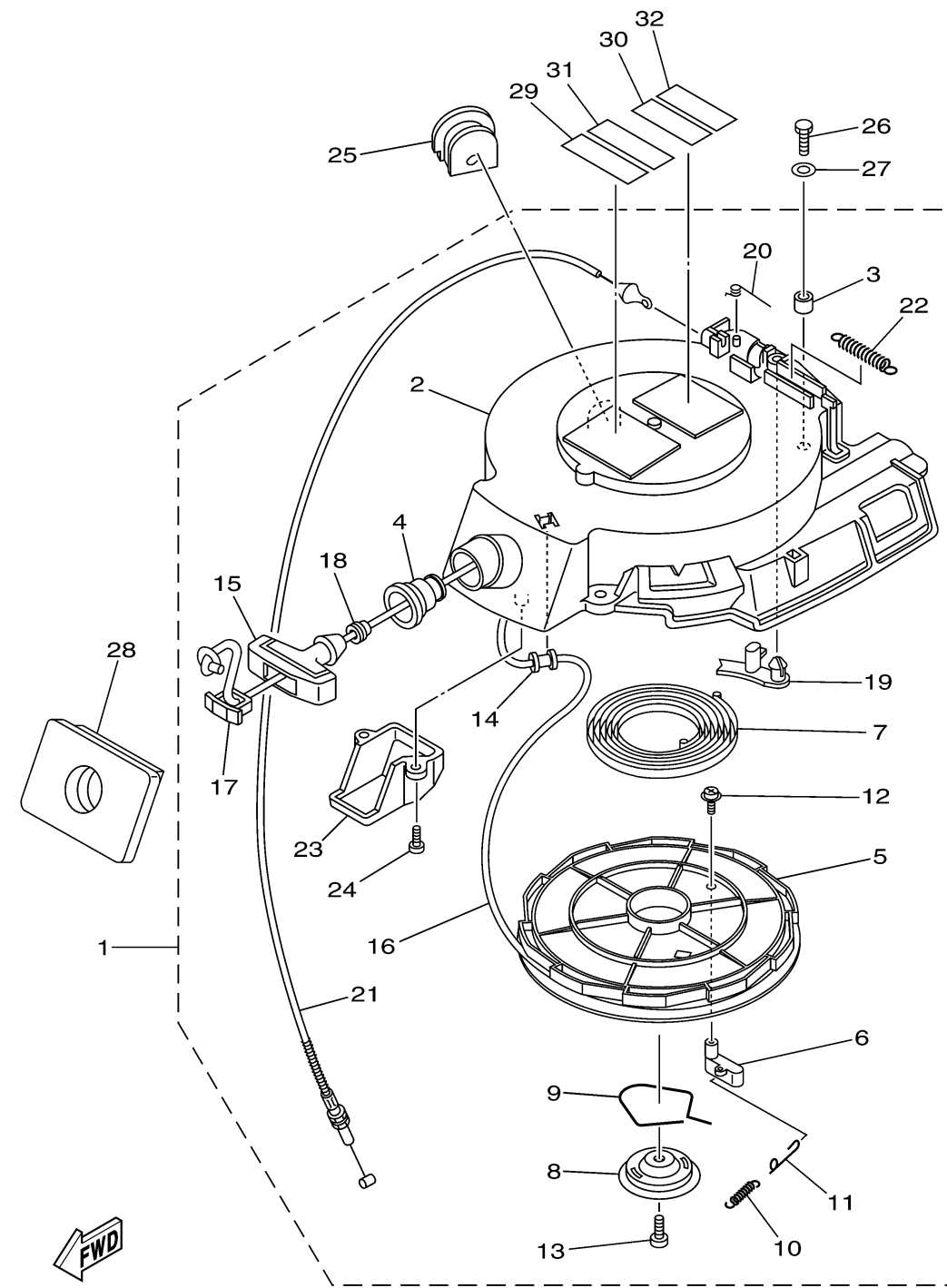


STARTER



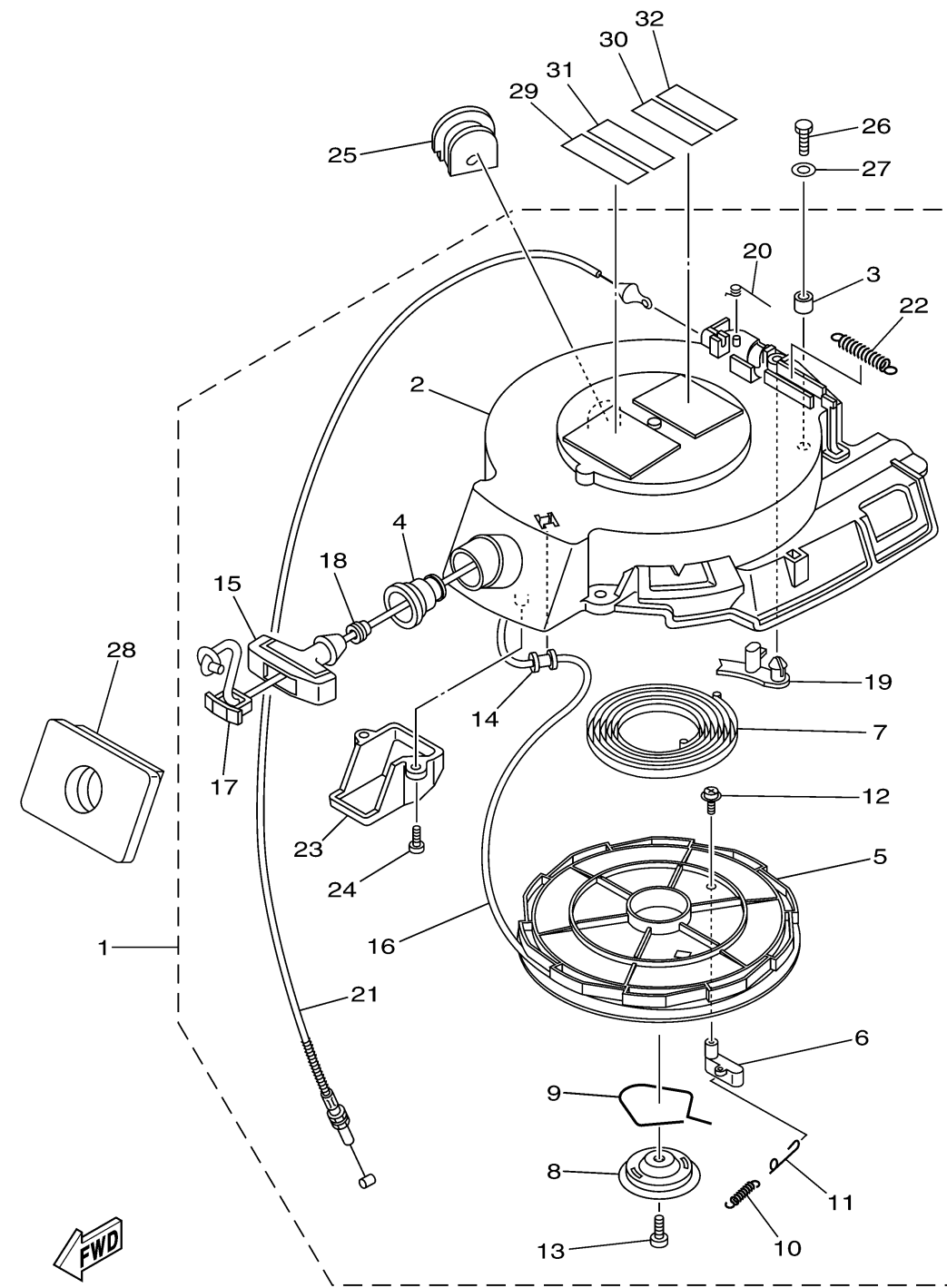
6BP1100-H100

*1: CUT FROM 50M ROLLS, PART NO. 90790-48194, CUTTING LENGTH 2.1M

Ref No.	Part Number	Description	Qty	Remarks
1	6BL-15710-00-00	STARTER ASSY	0	
2	6BL-15711-00-00	.. CASE, STARTER	0	
3	67D-15764-00-00	.. COLLAR 1	0	
4	6AH-15795-00-00	.. GUIDE, ROPE	0	
5	6BL-15714-00-00	.. DRUM, SHEAVE	0	
6	6AH-15741-10-00	.. PAWL, DRIVE	0	
7	66T-15713-00-00	.. SPRING, STARTER	0	
8	66T-15716-00-00	.. PLATE, DRIVE	0	
9	66T-15705-00-00	.. SPRING, DRIVE PAWL	0	
10	66T-15767-00-00	.. SPRING	0	
11	66T-15784-00-00	.. SPRING, RETURN	0	
12	6BL-15793-00-00	.. SCREW	0	
13	68T-15793-00-00	.. SCREW	0	
14	6BL-15764-00-00	.. COLLAR 1	0	
15	689-15755-01-00	.. HANDLE, STARTER	0	
17	6F5-15779-02-00	.. COVER	0	
18	6A0-15789-00-00	.. DAMPER	0	
19	68T-15794-00-00	.. STOPPER	0	
20	66T-15734-00-00	.. SPRING, RETURN	0	
21	6BL-15770-00-00	.. CABLE COMP., STARTER STOP	0	

CONTINUED ON NEXT FRAME >

STARTER



6BP1100-H100

*1: CUT FROM 50M ROLLS, PART NO. 90790-48194, CUTTING LENGTH 2.1M

Ref No.	Part Number	Description	Qty	Remarks
22	66T-15731-00-00	.. SPRING, RETURN	0	
23	6BL-15782-00-00	.. COVER, SHEAVE	0	
24	6AH-15793-00-00	.. SCREW	0	
25	6BL-15357-00-00	GROMMET	0	
26	97095-06020-00	BOLT	0	
27	92995-06600-00	WASHER	0	
28	6BL-15762-00-00	SEAL, RUBBER 2	0	
29	6AH-81994-40-00	LABEL, SAFETY	0	
30	6AH-81995-40-00	LABEL, WARNING	0	
31	6AH-81994-50-00	LABEL, SAFETY	0	
32	6AH-81995-50-00	LABEL, WARNING	0	