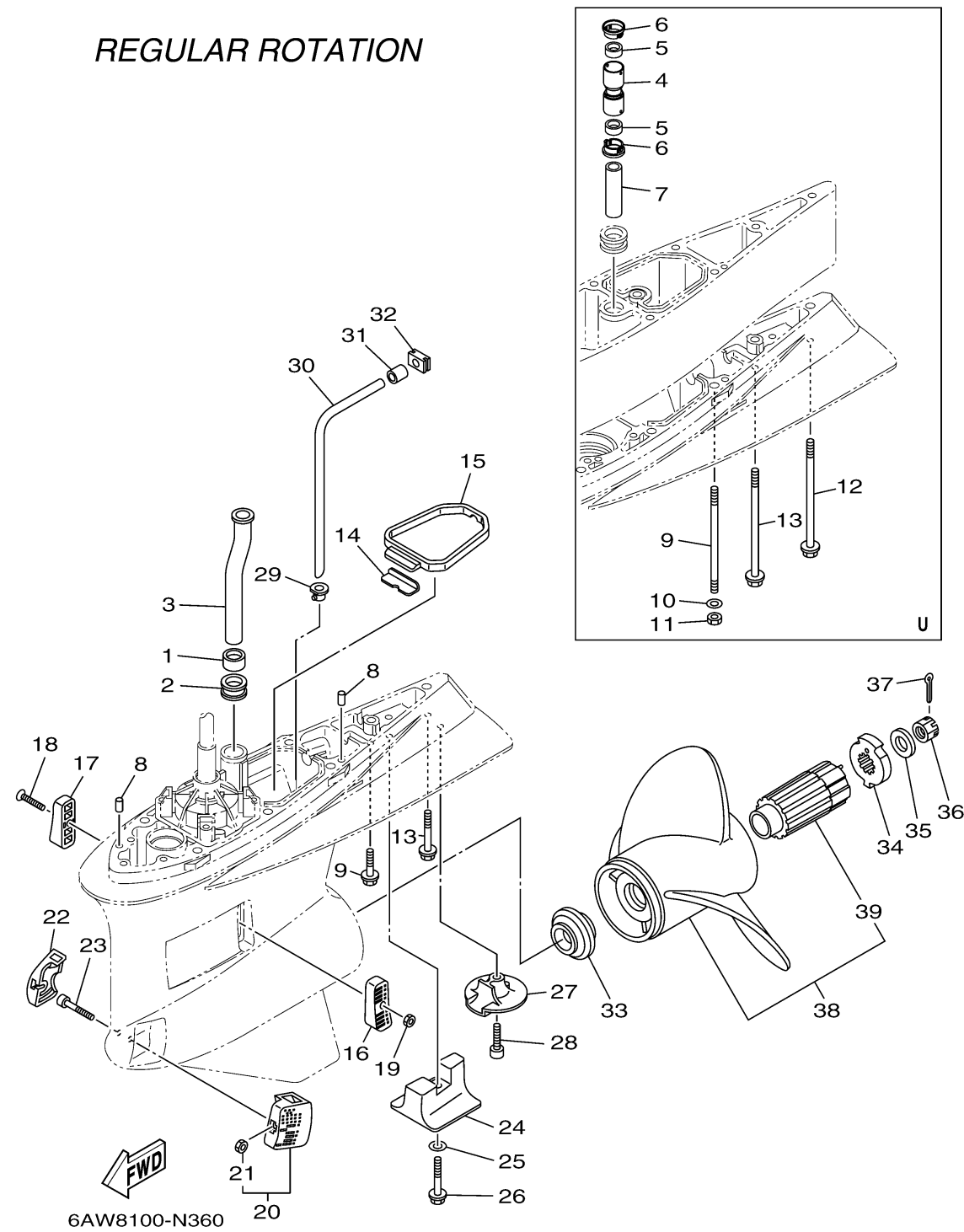


REGULAR ROTATION



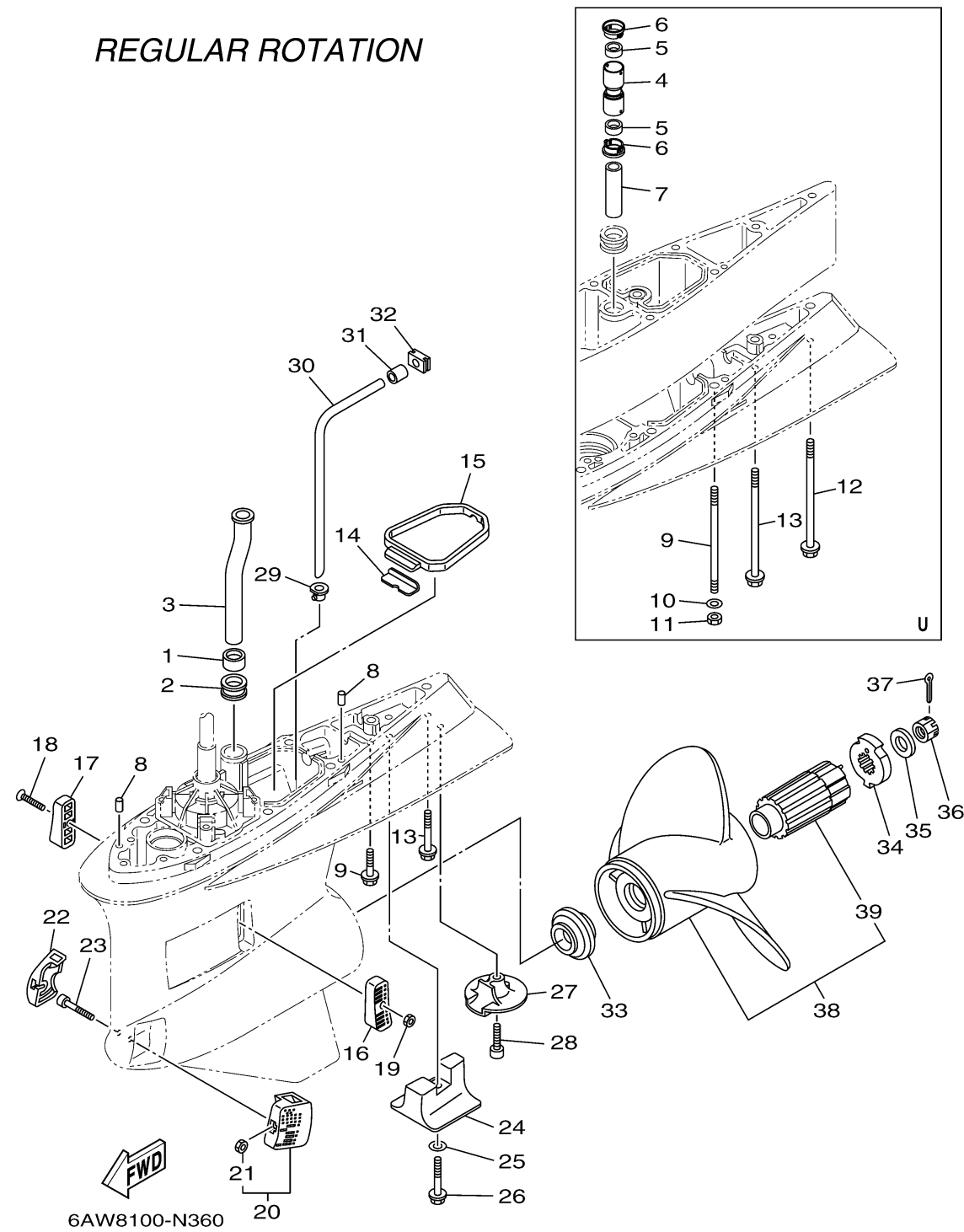
*: FROM REF.NO.4 TO REF.NO.39
EXCEPT FOR JET DRIVE(F350NCB)

LOWER CASING DRIVE 2

Ref No.	Part Number	Description	Qty	Remarks
1	6AW-44365-00-00	DAMPER, WATER SEAL 1	1	
2	6AW-44366-00-00	DAMPER, WATER SEAL 2	1	
3	6AW-44361-00-00	TUBE, WATER 1	1	
4	6CE-44362-00-00	TUBE, WATER 2	1	UR U(30.1")
5	6AW-44365-00-00	DAMPER, WATER SEAL 1	2	UR U(30.1")
6	6AW-44312-00-00	COVER, WATER PUMP HOUSING	2	UR U(30.1")
7	6AW-44363-00-00	TUBE, WATER 3	1	UR U(30.1")
8	93608-12M05-00	PIN, DOWEL	2	
9	90119-10038-00	BOLT, WITH WASHER	7	UR X(25.1")
9	90116-10041-00	BOLT, STUD	6	UR U(30.1")
10	90201-10048-00	WASHER, PLATE	6	UR U(30.1")
11	90170-10009-00	NUT	6	UR U(30.1")
12	90119-10008-00	BOLT, WITH WASHER	1	UR U(30.1")
13	90119-10009-00	BOLT, WITH WASHER	1	UR U(30.1")
13	97575-10570-00	BOLT, WITH WASHER	1	UR X(25.1")
14	61A-45376-00-00	GUIDE, SEAL DAMPER	1	
15	6AW-45375-00-00	DAMPER, SEAL	1	
16	6AW-45214-00-00	COVER, WATER INLET 1	1	
17	6AW-45215-00-00	COVER, WATER INLET 2	1	
18	90152-05003-00	SCREW, COUNTERSUNK	1	

CONTINUED ON NEXT FRAME >

REGULAR ROTATION



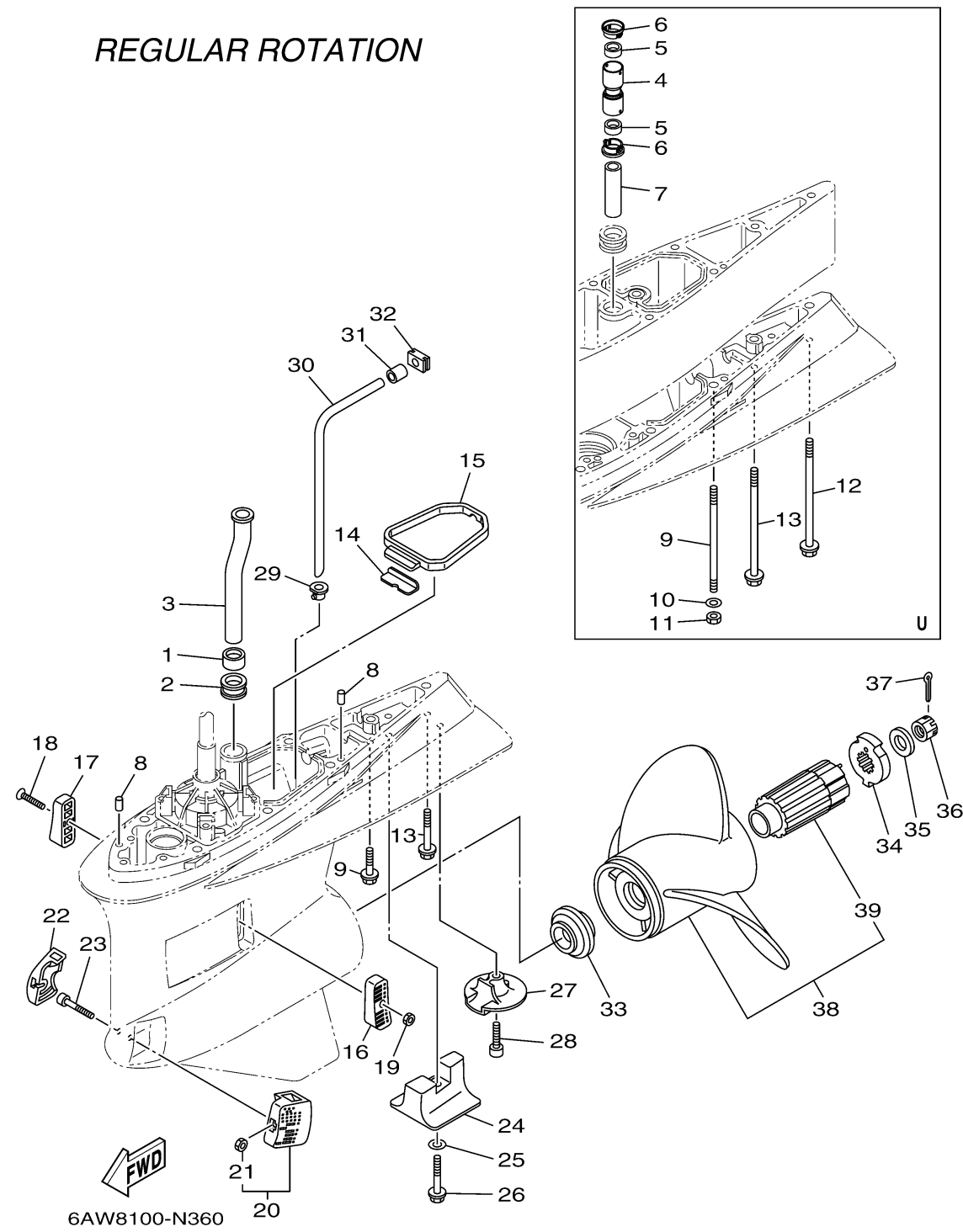
*: FROM REF.NO.4 TO REF.NO.39
EXCEPT FOR JET DRIVE(F350NCB)

LOWER CASING DRIVE 2

Ref No.	Part Number	Description	Qty	Remarks
19	90185-05002-00	NUT, NYLON	1	
20	6AW-45224-00-00	COVER, WATER INLET 3	1	
21	90185-05002-00	. NUT, NYLON	1	
22	6AW-45225-00-00	COVER, WATER INLET 4	1	
23	90110-05050-00	BOLT, HEXAGON SOCKET HEAD	1	
24	6AW-45373-00-00	ANODE	1	
25	92990-10300-00	WASHER	1	
26	90105-10257-00	BOLT, FLANGE	1	
27	6AW-45619-00-00	CAP	1	
28	90110-10018-00	BOLT, HEXAGON SOCKET HEAD	1	
29	6AW-44367-00-00	DAMPER, WATER SEAL 3	1	
30	6AW-44362-00-00	TUBE, WATER 2	1	
31	6AW-44375-00-00	GROMMET, WATER TUBE 1	1	
32	6AW-44376-00-00	GROMMET, WATER TUBE 2	1	
33	6AW-45987-00-00	SPACER 1	1	
34	6AW-45997-10-00	SPACER 2	1	
35	90201-19M01-00	WASHER, PLATE	1	
36	90171-18M04-00	NUT, CASTLE	1	
37	91490-40030-00	PIN, COTTER	1	
38	6AW-45978-10-00	PROPELLER (3X15-1/4"X23"-X)	1	UR SDS PROP.

CONTINUED ON NEXT FRAME >

REGULAR ROTATION



*: FROM REF.NO.4 TO REF.NO.39
EXCEPT FOR JET DRIVE(F350NCB)

LOWER CASING DRIVE 2

Ref No.	Part Number	Description	Qty	Remarks
38	6AW-45976-10-00	PROPELLER (3X15-1/4"X21"-X)	1	UR SDS PROP.
38	6AW-45974-10-00	PROPELLER (3X15-1/2"X19"-X)	1	UR SDS PROP.
38	6AW-45972-10-00	PROPELLER (3X16-1/4"X17"-X)	1	UR SDS PROP.
38	6AW-45970-10-00	PROPELLER (3X16-1/4"X15"-X)	1	UR SDS PROP.
39	6AW-45C80-00-00	. PROPELLER DAMPER RUBBER ASSY	1	