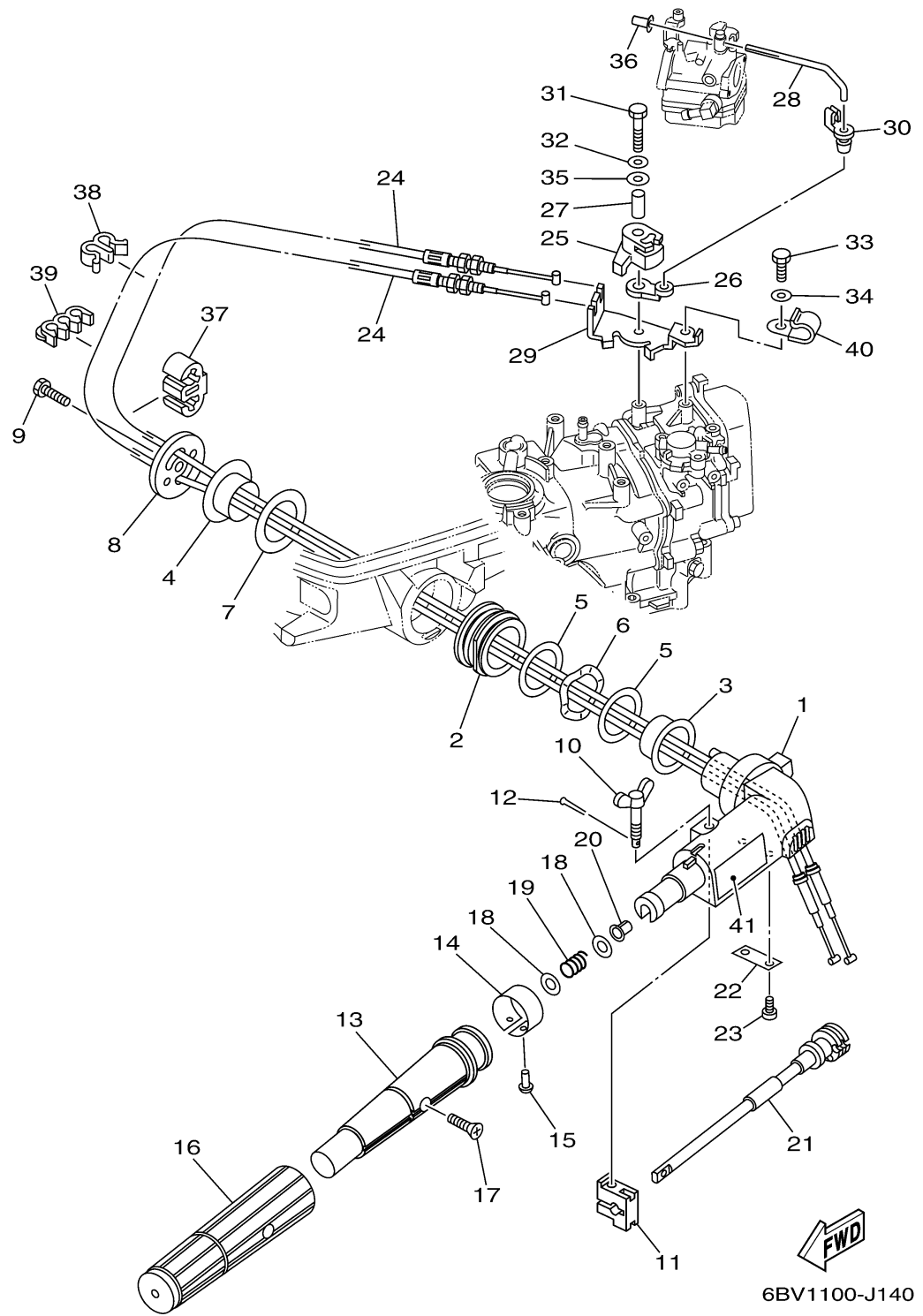


# STEERING

Ref No.	Part Number	Description	Qty	Remarks
1	6BX-G2111-00-4D	HANDLE, STEERING	1	
2	6BX-42129-00-00	BUSHING, RUBBER	1	
3	6BX-G2171-00-00	BUSHING	1	
4	6BX-G2172-00-00	BUSHING 2	1	
5	6BX-G2181-00-00	WASHER	2	
6	6BX-G2188-00-00	WASHER, WAVE	1	
7	6BX-G2182-00-00	WASHER 2	1	
8	6BX-42131-00-00	COVER, HANDLE STEERING	1	
9	97075-08025-00	BOLT	1	
10	6G1-42125-01-00	BOLT, FRICTION ADJUSTING	1	
11	6G1-42126-00-00	FRICTION, STEERING HANDLE GRIP	1	
12	91490-16010-00	PIN. COTTER	1	
13	68D-G2119-01-00	GRIP, STEERING HANDLE	1	
14	60P-G2137-00-00	INDICATOR, THROTTLE	1	
15	90269-02M09-00	RIVET	1	
16	68D-G2177-10-00	RUBBER, HANDLE	1	
17	90152-05011-00	SCREW, COUNTERSUNK	1	
18	90201-10M02-00	WASHER, PLATE	2	
19	90501-23215-00	SPRING, COMPRESSION	1	
20	90386-08032-00	BUSH	1	

CONTINUED ON NEXT FRAME >

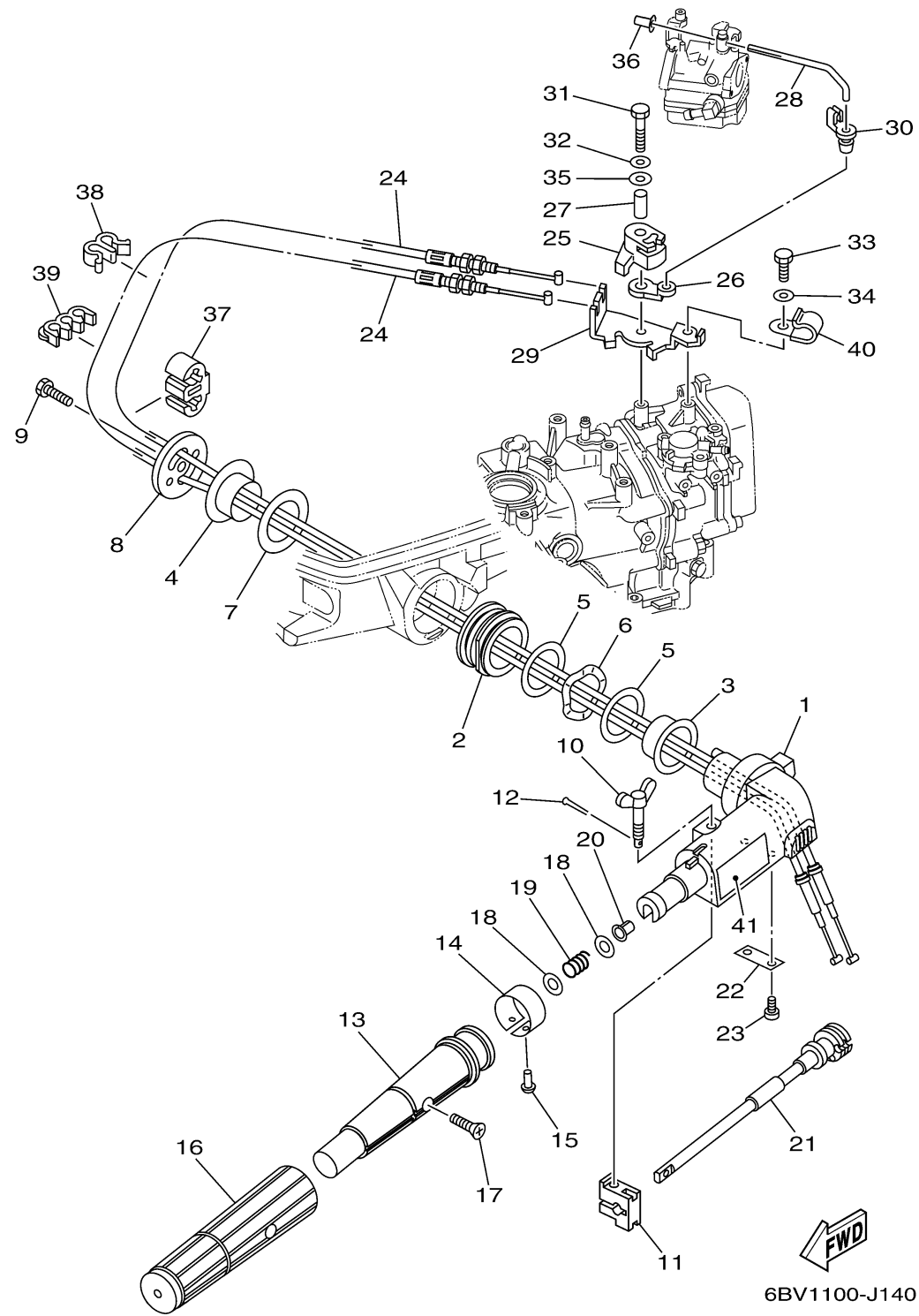


# STEERING

Ref No.	Part Number	Description	Qty	Remarks
21	6BX-42138-00-00	LEVER, THROTTLE	1	
22	68D-G2159-00-00	STAY	1	
23	97885-05012-00	SCREW, PAN HEAD	2	
24	6BX-F6301-00-00	THROTTLE CABLE ASSY	2	
25	6BX-41638-00-00	PULLEY	1	
26	6BX-41283-00-00	LEVER, FREE ACCEL.	1	
27	90387-06252-00	COLLAR	1	
28	6BX-41211-00-00	LINK, ACCEL.	1	
29	6BX-E4497-00-00	STAY, THROTTLE WIRE	1	
30	661-41262-02-00	JOINT, CHOKE LEVER	1	
31	97095-06035-00	BOLT	1	
32	92995-06600-00	WASHER	1	
33	97095-06012-00	BOLT	1	
34	92995-06600-00	WASHER	1	
35	90201-06M62-00	WASHER, PLATE	1	
36	647-14395-60-00	CAP, OVERFLOW PIPE	1	
37	90464-06006-00	CLAMP	2	
38	90464-07M20-00	CLAMP	1	
39	90464-07M05-00	CLAMP	1	
40	90465-08395-00	CLAMP	1	

CONTINUED ON NEXT FRAME >

# STEERING



Ref No.	Part Number	Description	Qty	Remarks
41	6AH-42794-40-00	LABEL, WARNING (GENERAL)	1	