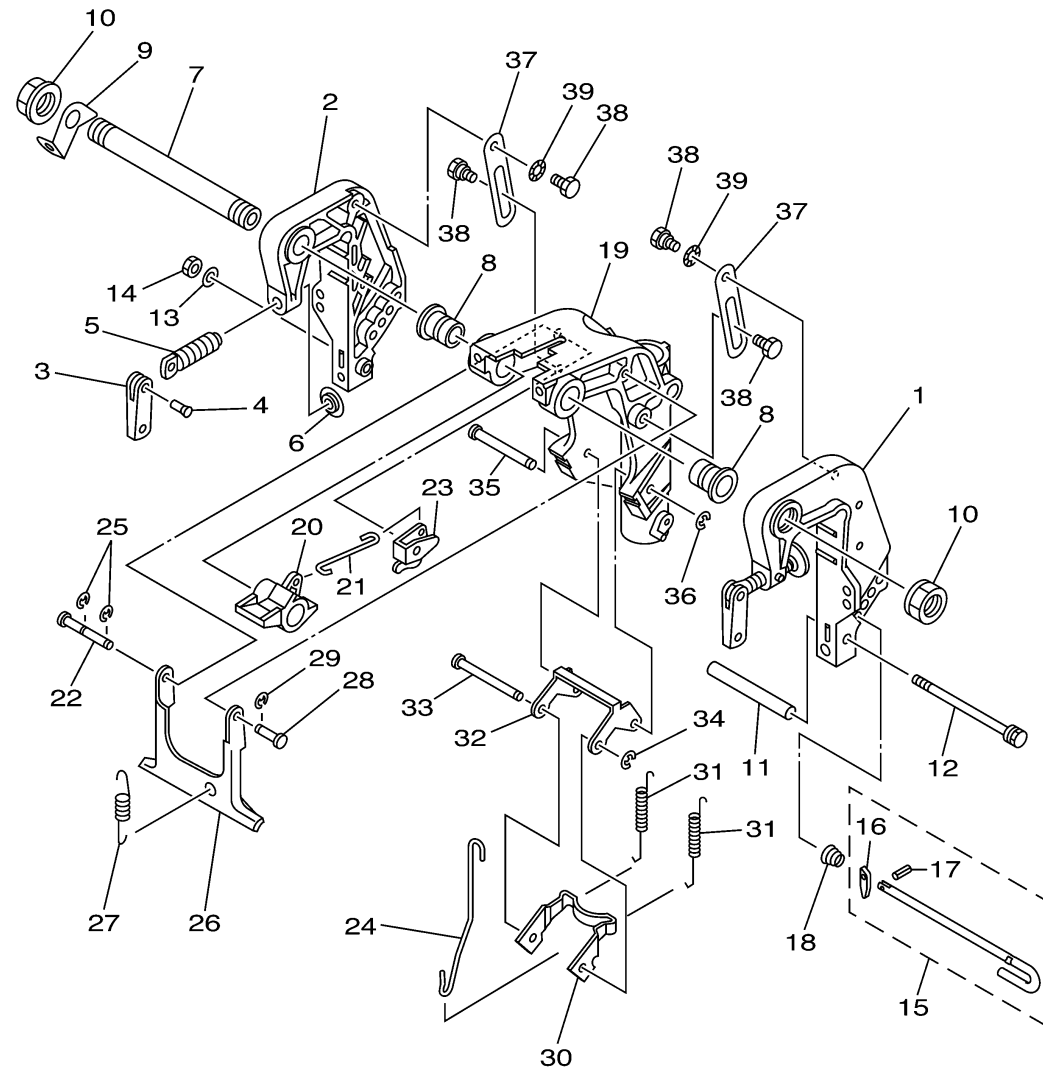


BRACKET 1



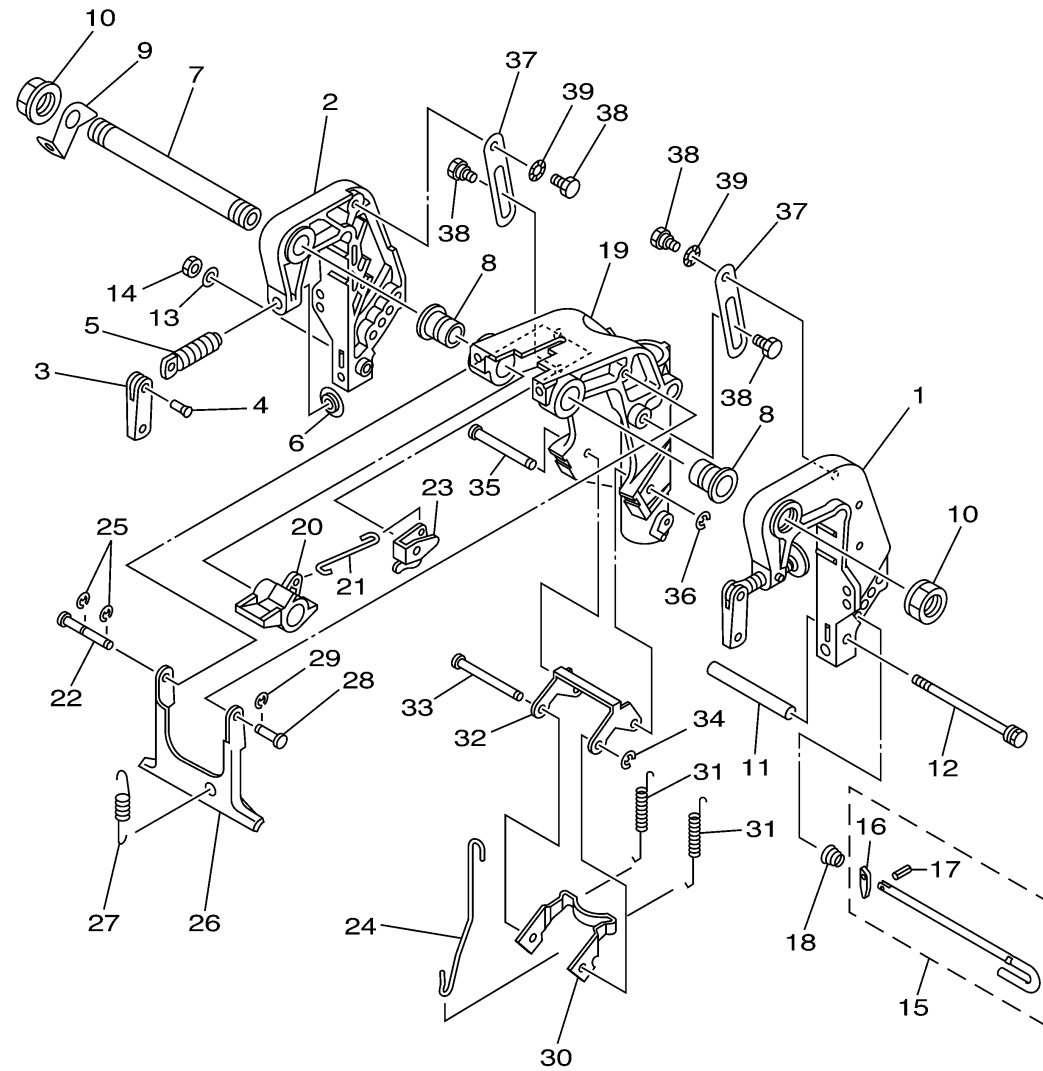
Ref No.	Part Number	Description	Qty	Remarks
1	60R-G3111-01-4D	BRACKET, CLAMP 1	1	
2	60R-G3112-01-4D	BRACKET, CLAMP 2	1	
3	6L8-G3118-01-00	HANDLE, TRANSOM CLAMP	2	
4	90243-04M01-00	PIN	2	
5	6E7-43116-00-00	SCREW, TRANSOM CLAMP	2	
6	648-43114-01-00	PAD, TRANSOM CLAMP	2	
7	68T-43131-00-00	BOLT, CLAMP BRACKET (L:215.5MM)	1	
8	90386-22MA4-00	BUSH	2	
9	66R-43113-00-00	PLATE, CLAMP BRACKET	1	
10	90185-22043-00	NUT, SELF-LOCKING	2	
11	90387-06M13-00	COLLAR	1	
12	90101-06M18-00	BOLT	1	
13	92995-06600-00	WASHER	1	
14	95380-06700-00	NUT	1	
15	6L2-43160-01-00	TILT ROD ASSY	1	
16	689-43165-00-00	..PLATE, TILT LOCK	1	
17	91690-30008-00	..PIN, SPRING	1	
18	90502-10M07-00	SPRING, CONICAL	1	
19	60R-G3311-10-4D	BRACKET, SWIVEL 1	0	L(22.1")
19	60R-G3311-00-4D	BRACKET, SWIVEL 1	1	S(17.1")

CONTINUED ON NEXT FRAME >



68R3110-C200

BRACKET 1



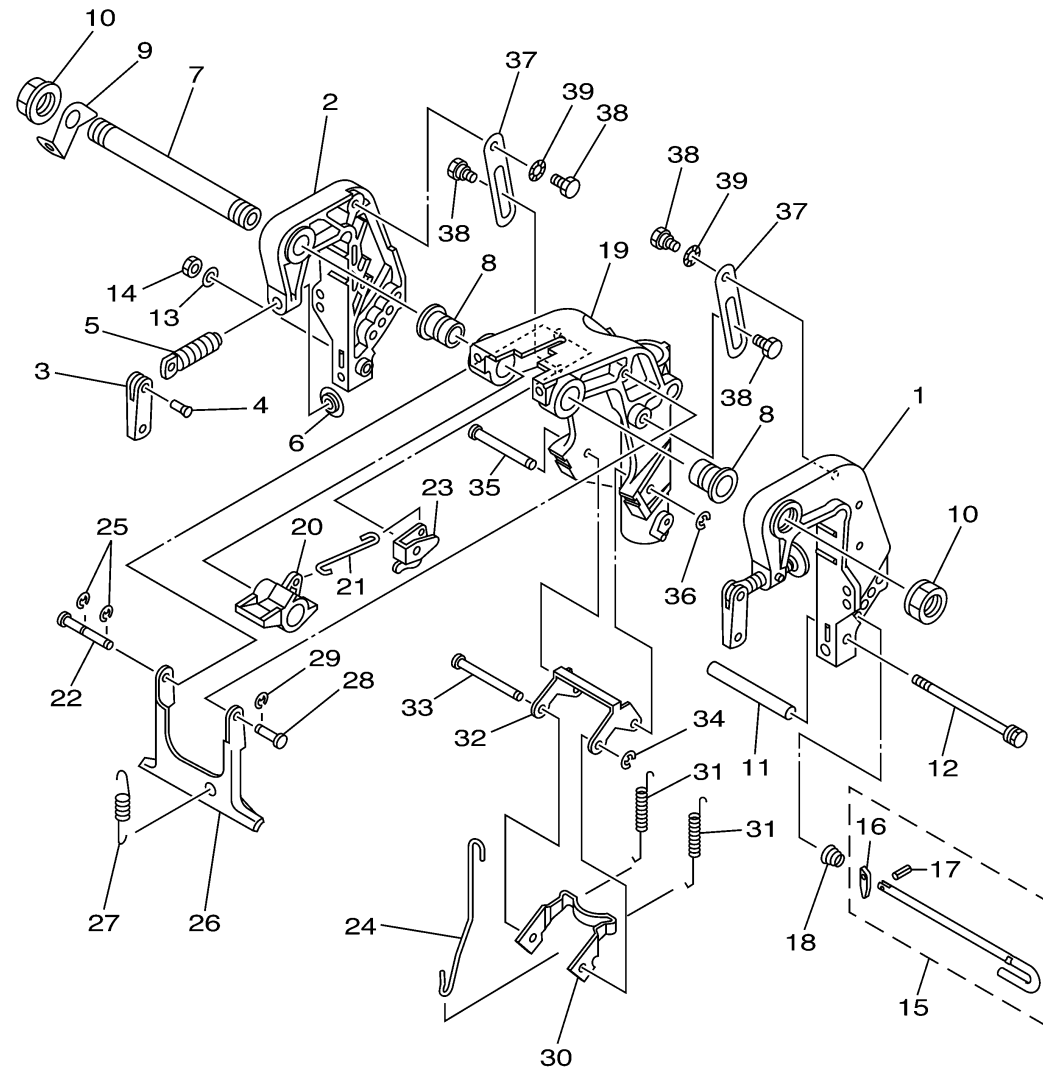
Ref No.	Part Number	Description	Qty	Remarks
20	60R-G3631-00-00	LEVER, TILT	1	
21	60R-G3616-00-00	ROD, TILT LOCK	1	
22	68T-43646-00-00	SHAFT, LEVER	1	
23	68T-43641-00-00	LEVER, TILT	1	
24	68T-43617-00-00	ROD, TILT LOCK	1	
25	99080-05600-00	CIRCLIP	2	
26	68T-43350-00-00	RECEIVER ASSY	1	
27	90506-18M41-00	SPRING, TENSION	1	S(17.1")
27	90506-20005-00	SPRING, TENSION	0	L(22.1")
28	63V-43191-00-00	SHAFT, STOPPER	1	
29	99080-05600-00	CIRCLIP	1	
30	68T-43614-00-00	PLATE, TILT LOCK	1	
31	90506-23803-00	SPRING, TENSION	0	L(22.1")
31	90506-20806-00	SPRING, TENSION	2	S(17.1")
32	68T-43615-00-00	PLATE, TILT LOCK	1	
33	68T-43611-00-00	SHAFT, TILT LOCK	1	
34	93430-04M03-00	.CIRCLIP	1	
35	68T-43659-00-00	SHAFT, REVERSE LOCK	1	
36	99080-05600-00	CIRCLIP	1	
37	68T-43627-00-00	STOPPER	2	

CONTINUED ON NEXT FRAME >


68R3110-C200

BRACKET 1

Ref No.	Part Number	Description	Qty	Remarks
38	90109-06M84-00	BOLT	4	
39	90206-10M24-00	WASHER, WAVE	2	



68R3110-C200