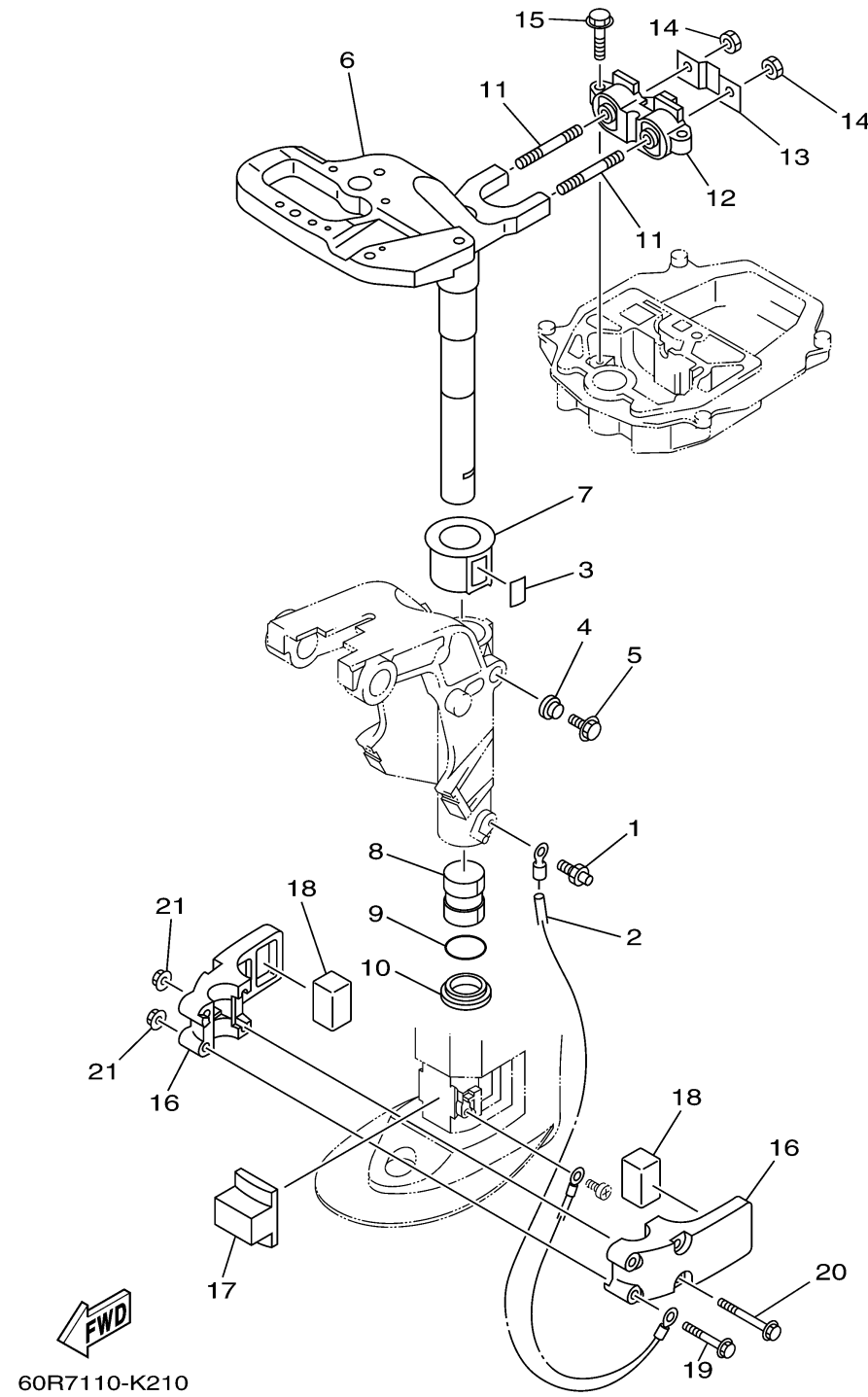


# BRACKET 2



Ref No.	Part Number	Description	Qty	Remarks
1	93700-06M03-00	NIPPLE, GREASE	1	
2	68T-82127-00-00	WIRE, LEAD 2	1	
3	63V-42528-00-00	PLATE, FRICTION	1	
4	689-43373-01-00	SEAL, DAMPER	1	
5	90105-06M07-00	BOLT, FLANGE	1	
6	60R-G2511-01-4D	BRACKET, STEERING	1	S(17.1")
6	60R-G2511-11-4D	BRACKET, STEERING	0	L(22.1")
7	63V-42537-00-00	BUSHING, PIVOT SHAFT	1	
8	90386-30048-00	BUSH	1	
9	93210-29M94-00	O-RING	1	
10	90386-30M60-00	BUSH	1	
11	90116-08M54-00	BOLT, STUD	2	
12	68T-44517-00-00	MOUNT RUBBER	1	
13	68T-44526-00-00	PLATE	1	
14	95380-08600-00	NUT	2	
15	97575-06525-00	BOLT, WITH WASHER	2	
16	68T-44551-00-4D	HOUSING, LOWER MOUNT RUBBER 1	2	
17	60R-G4557-00-00	MOUNT DAMPER, LOWER FRONT	1	
18	60R-G4555-00-00	MOUNT DAMPER, LOWER SIDE	2	
19	90119-06012-00	BOLT, WITH WASHER	2	

CONTINUED ON NEXT FRAME >

# BRACKET 2

Ref No.	Part Number	Description	Qty	Remarks
20	90119-06013-00	BOLT, WITH WASHER	2	
21	90179-06M28-00	NUT	4	

