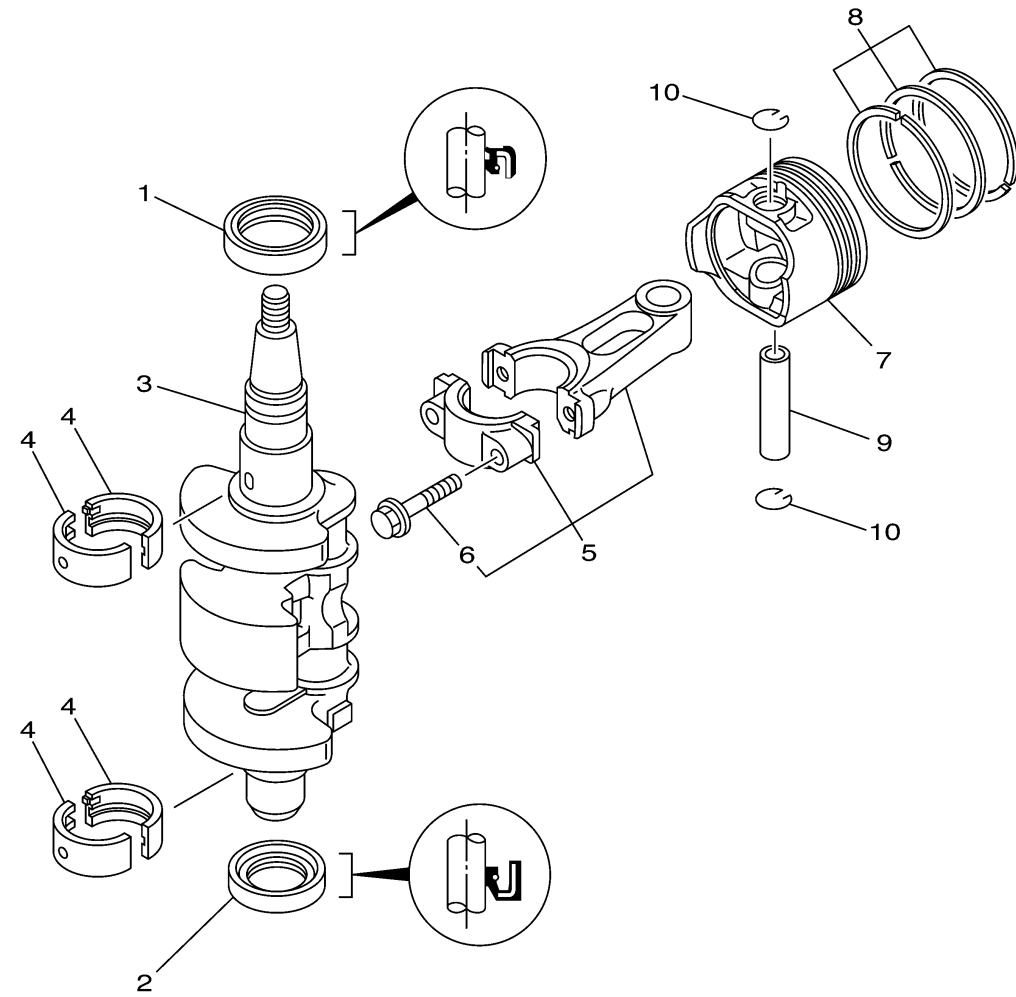


CRANKSHAFT PISTON

Ref No.	Part Number	Description	Qty	Remarks
1	93102-30M22-00	.OIL SEAL	1	
2	93101-25M69-00	.OIL SEAL	1	
3	60R-E1411-00-00	CRANKSHAFT	1	
4	68T-11416-11-00	PLANE BEARING, CRANKSHAFT 1	4	UR BLACK
4	68T-11416-21-00	PLANE BEARING, CRANKSHAFT 1	4	UR BLUE
4	68T-11416-01-00	PLANE BEARING, CRANKSHAFT 1	4	UR BROWN
5	68T-11650-00-00	CONNECTING ROD ASSY	2	
6	67D-11654-00-00	. .BOLT, CONNECTING ROD	2	
7	60R-E1631-00-96	PISTON (STD)	2	
7	60R-E1635-00-00	PISTON (0.25MM O/S)	2	AP
7	60R-E1636-00-00	PISTON (0.50MM O/S)	2	AP
8	60R-E1605-00-00	PISTON RING SET (0.50MM O/S)	2	AP
8	60R-E1604-00-00	PISTON RING SET (0.25MM O/S)	2	AP
8	60R-E1603-00-00	PISTON RING SET (STD)	2	
9	60R-E1633-00-00	PIN, PISTON	2	
10	93450-15023-00	CIRCLIP	4	



68R0010-0031