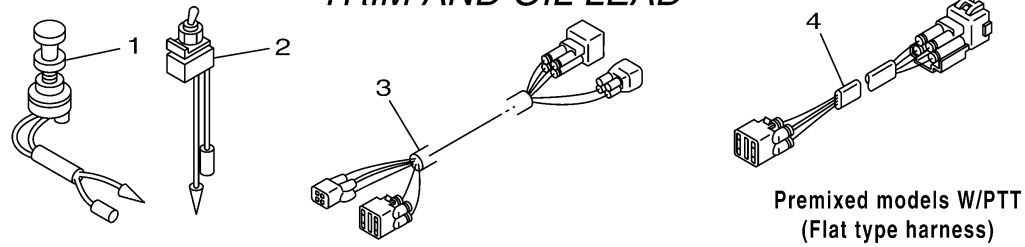
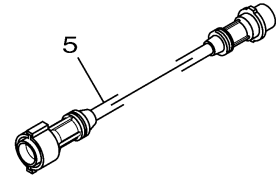


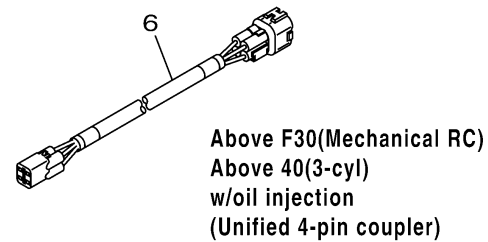
LAMP SWITCH    COMBINATION TRIM AND OIL LEAD    TRIM METER LEAD



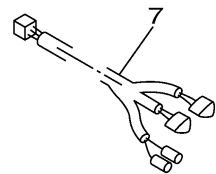
PT/T SWITCH LEAD EXTENSION



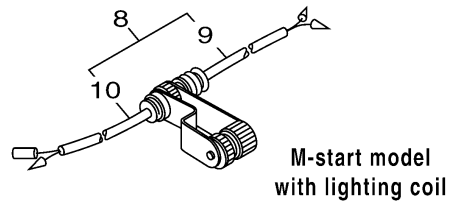
TRIM AND OIL LEAD



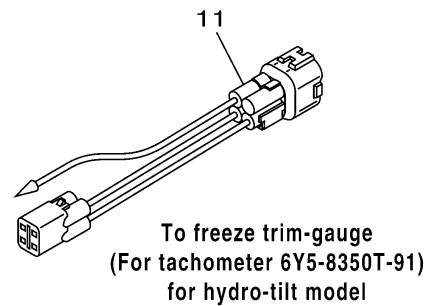
FUEL MANAGEMENT GAUGE HARNESS



LIGHTING COIL EXTENSION HARNESS

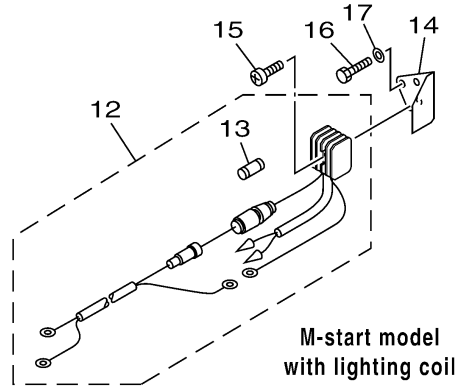


CONVERSION HARNESS 1



601M10M-N100

RECTIFIER KIT



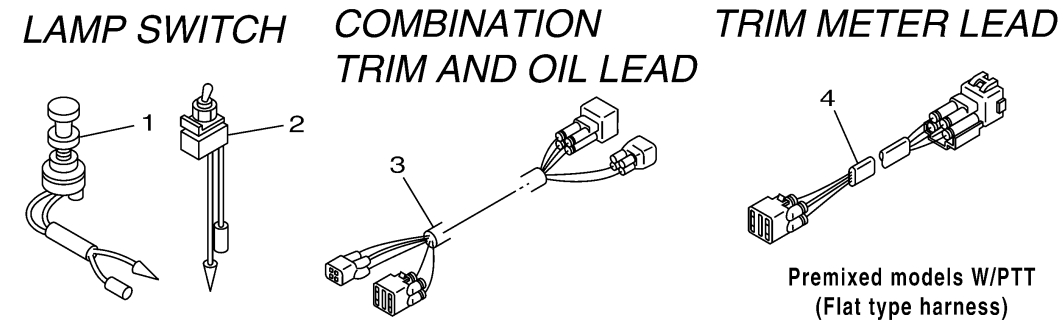
## WIRE HARNESS 2

Ref No.	Part Number	Description	Qty	Remarks
1	688-82520-00-00	LIGHT SWITCH ASSY	1	
2	688-82526-00-00	SWITCH, LAMP	1	
3	68F-82553-A0-00	EXTENSION, WIRE LEAD (L=10.5M)	1	UR FOR (L)250G
3	68F-82553-50-00	EXTENSION, WIRE LEAD (L=5.0M)	1	UR FOR (L)250G
3	68F-82553-90-00	EXTENSION, WIRE LEAD (L=9.5M)	1	UR FOR (L)250G
3	68F-82553-70-00	EXTENSION, WIRE LEAD (L=7.0M)	1	UR FOR (L)250G
3	68F-82553-80-00	EXTENSION, WIRE LEAD (L=8.0M)	1	UR FOR (L)250G
4	6R3-82553-90-00	EXTENSION, WIRE LEAD (L=9.0M)	1	UR (4P)
4	6R3-82553-70-00	EXTENSION, WIRE LEAD (L=7.0M)	1	UR (4P)
4	6R3-82553-50-00	EXTENSION, WIRE LEAD (L=5.0M)	1	UR (4P)
4	6R3-82553-80-00	EXTENSION, WIRE LEAD (L=8.0M)	1	UR (4P)
4	6R3-82553-30-00	EXTENSION, WIRE LEAD (L=3.0M)	1	UR (4P)
5	688-82586-11-00	EXTENSION, WIRE HARNESS (2.0M)	1	L:2M(7P)
6	6Y5-83653-50-00	WIRE, LEAD (L=10.5M)	1	UR 4P, 10.5M
6	6Y5-83653-40-00	WIRE, LEAD (L=9.0M)	1	UR 4P, 9M
6	6Y5-83653-30-00	WIRE, LEAD (L=8.0M)	1	UR 4P, 8M
6	6Y5-83653-20-00	WIRE, LEAD (L=7.0M)	1	UR 4P, 7M
6	6Y5-83653-10-00	WIRE, LEAD (L=6.0M)	1	UR 4P, 6M
6	6Y5-83653-00-00	WIRE, LEAD (L=5.0M)	1	UR 4P, 5M
7	6Y5-83553-F1-00	WIRE, LEAD (L=8.0M)	1	

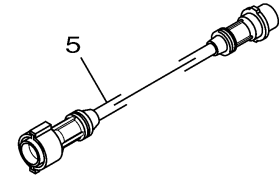
CONTINUED ON NEXT FRAME >

# WIRE HARNESS 2

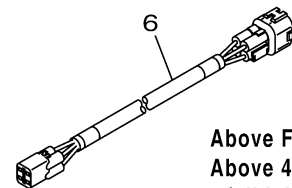
Ref No.	Part Number	Description	Qty	Remarks
8	682-84380-00-00	CONCENT 2P	1	
9	682-84381-00-00	. .2P CONCENT	1	
10	682-84382-00-00	. .2P CONCENT	1	
11	6Y5-8350U-10-00	WIRE, LEAD	1	
12	676-81970-01-00	RECTIFIER ASSY	1	
13	663-82151-00-00	. .FUSE (12V-20A)	1	
15	97880-05025-00	.SCREW, PAN HEAD	1	
16	97013-06010-00	BOLT	2	
17	92903-06600-00	WASHER, PLATE	2	



**PT/T SWITCH LEAD EXTENSION**

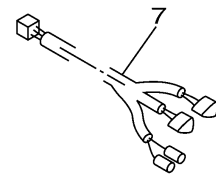


**TRIM AND OIL LEAD**

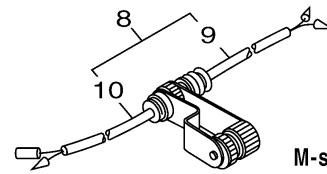


Above F30(Mechanical RC)  
Above 40(3-cyl)  
w/oil injection  
(Unified 4-pin coupler)

**FUEL MANAGEMENT GAUGE HARNESS**

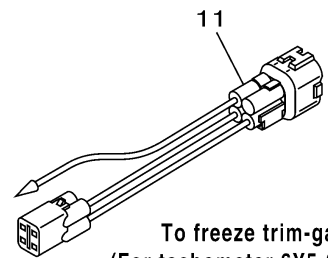


**LIGHTING COIL EXTENSION HARNESS**



M-start model  
with lighting coil

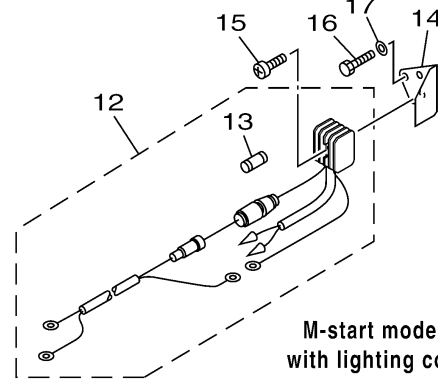
**CONVERSION HARNESS 1**



To freeze trim-gauge  
(For tachometer 6Y5-8350T-91)  
for hydro-tilt model

601M10M-N100

**RECTIFIER KIT**



M-start model  
with lighting coil