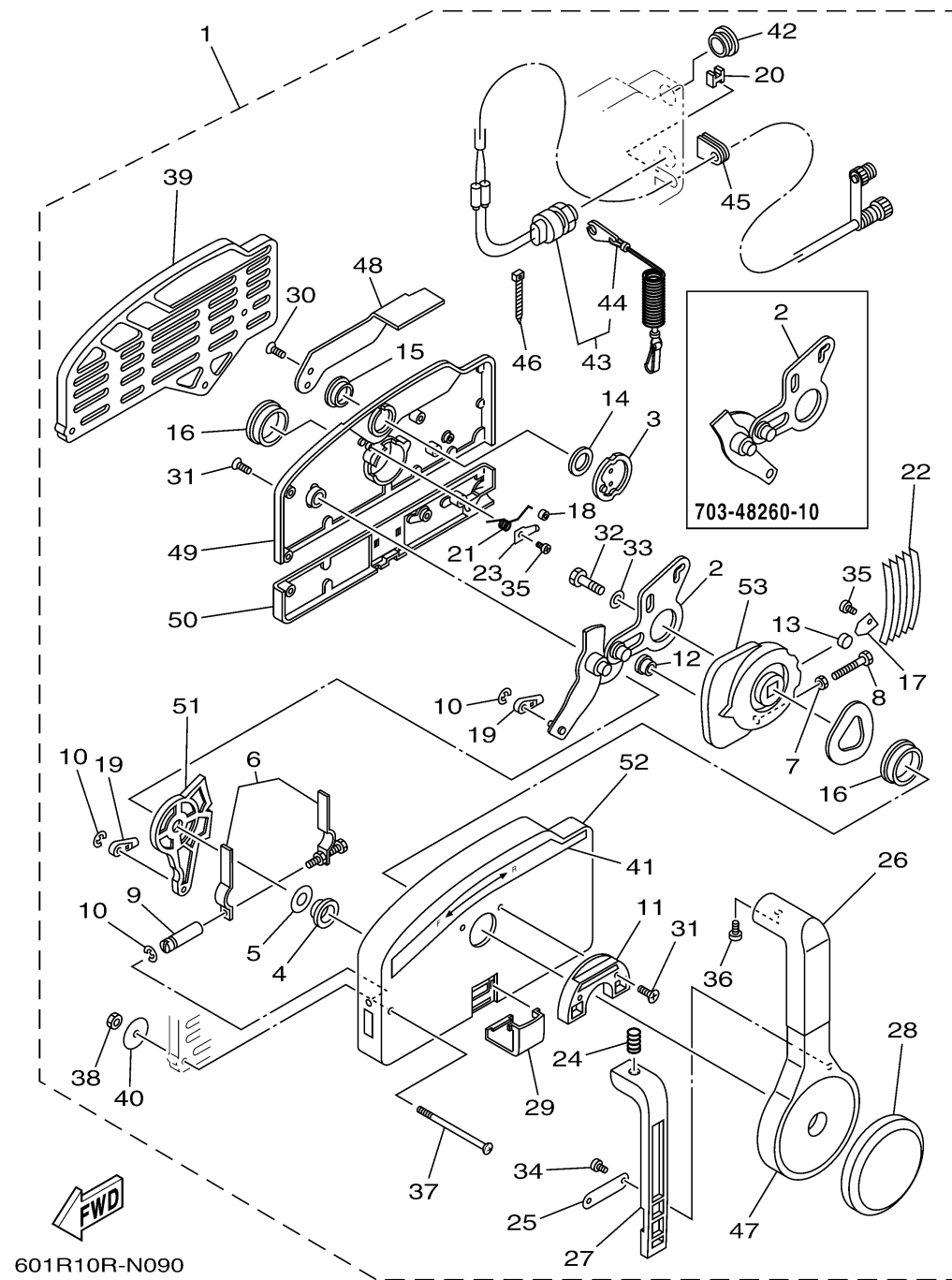


# CONTROL 703 MANUAL

**703 REMOTE CONTROL**  
*Successor model of 701 REMOTE CONTROL*

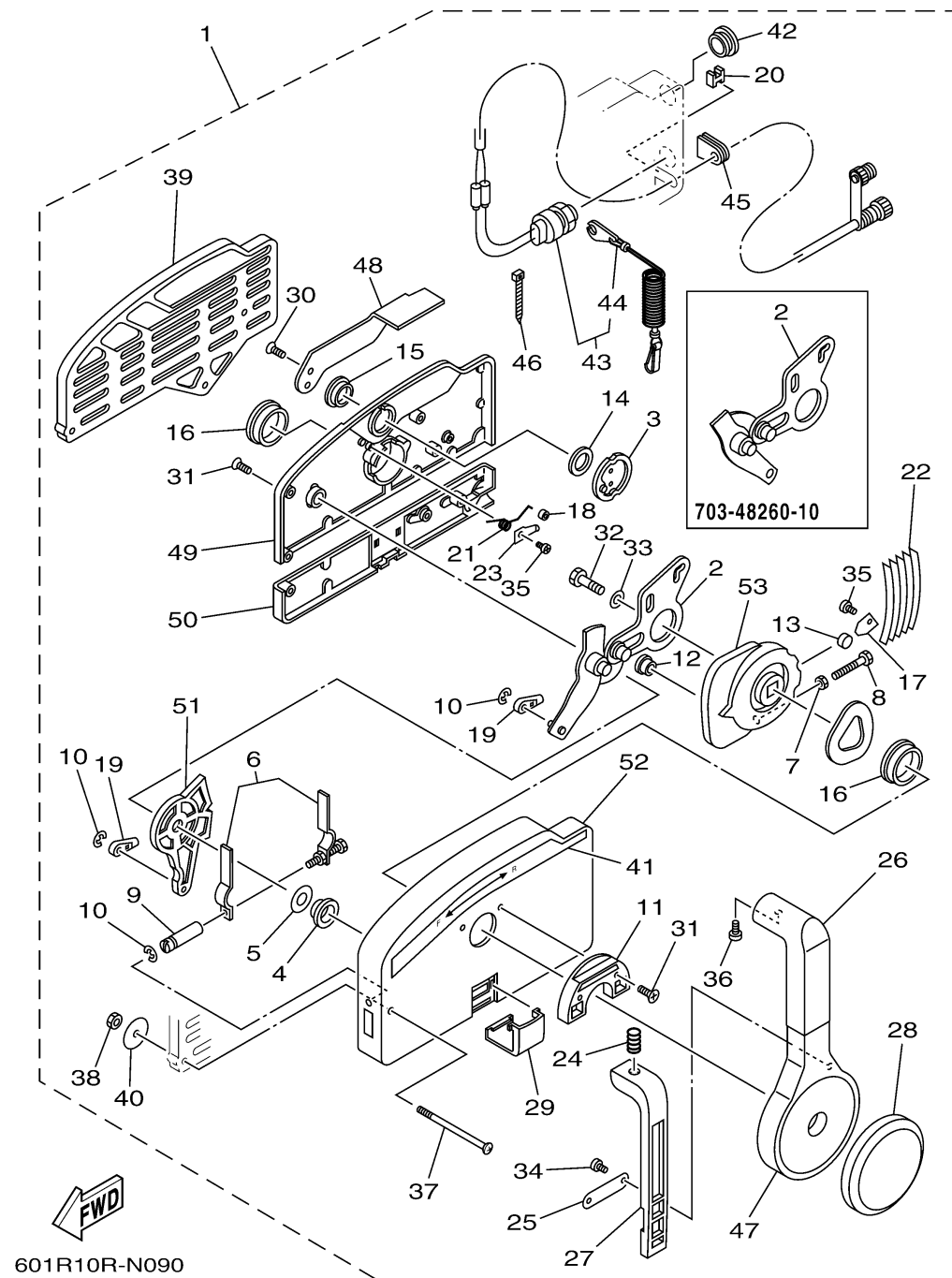


Ref No.	Part Number	Description	Qty	Remarks
1	703-48206-10-00	REMOTE CONTROL ASSY (2P)	1	UR PUSH
1	703-48260-10-00	REMOTE CONTROL ASSY (2P)	1	UR PULL
2	703-48261-11-00	. .ARM, THROTTLE	1	FOR 703-48260-10
2	703-48261-01-00	. .ARM, THROTTLE	1	FOR 703-48206-10
3	703-48153-00-00	. .SHAFT, FREE ACCEL.	1	
4	703-48235-00-00	. .BUSHING	1	
5	703-48268-00-00	. .SPACER	1	
6	703-48264-00-00	. .FRICTION, THROTTLE	1	
7	95380-05600-00	. .NUT	1	
8	97380-05025-00	. .BOLT	1	
9	703-48265-00-00	. .SHAFT, FRICTION	1	
10	93430-06024-00	. .CIRCLIP	3	
11	703-48245-00-00	. .PLATE, LOCK	1	
12	703-48252-00-00	. .ROLLER, CAM	1	
13	701-48248-00-00	. .ROLLER, FREE ACCEL.	1	
14	703-48198-00-00	. .WASHER, WAVE	1	
15	703-48243-00-00	. .BUSHING	1	
16	703-48236-00-00	. .BUSHING 1	2	
17	703-48189-00-00	. .RETAINER	1	
18	703-48234-00-00	. .ROLLER, DETENT	1	

CONTINUED ON NEXT FRAME >

# CONTROL 703 MANUAL

703 REMOTE CONTROL  
Successor model of 701 REMOTE CONTROL

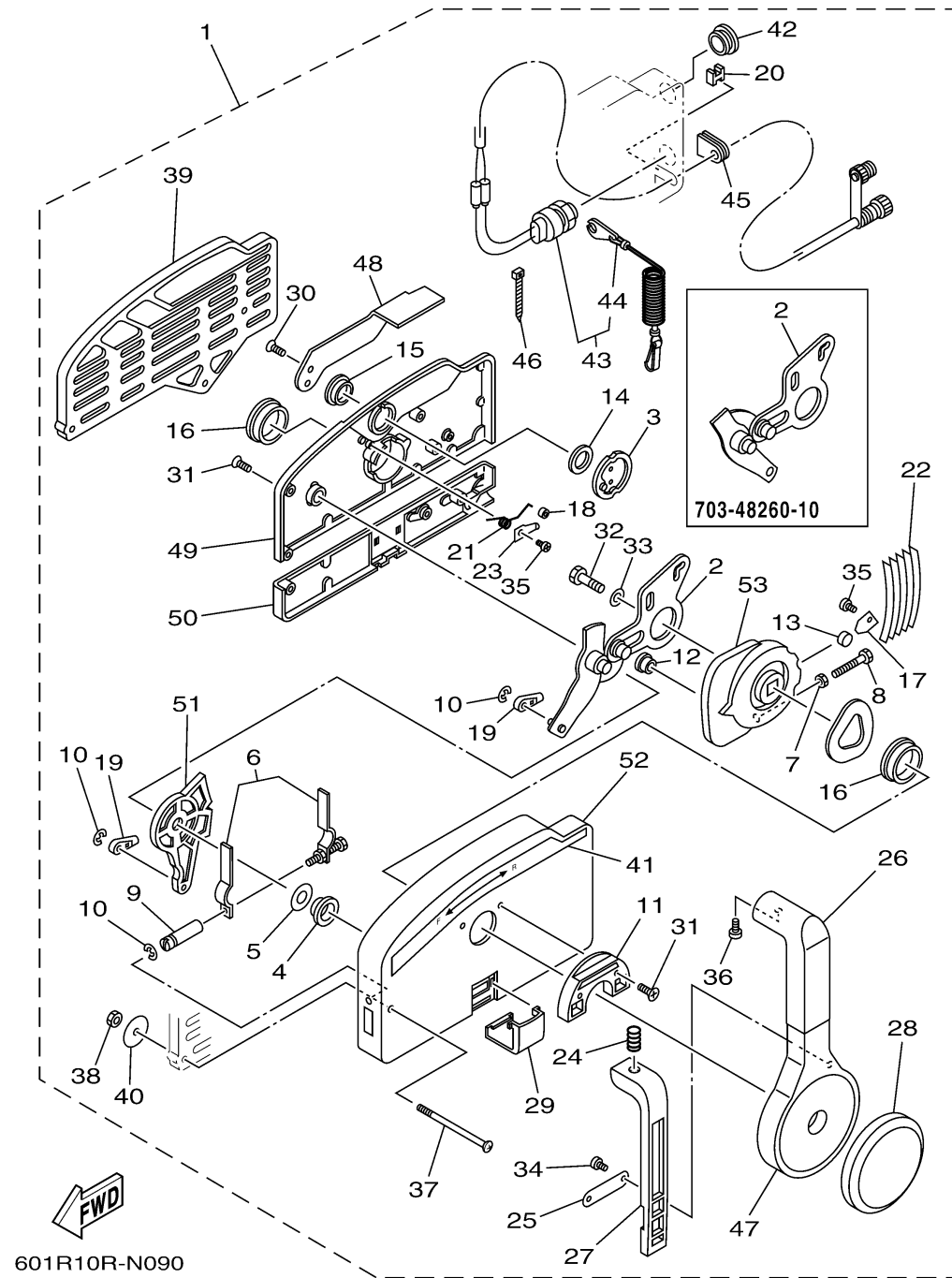


Ref No.	Part Number	Description	Qty	Remarks
19	703-48345-01-00	. .CABLE END, REMOTE CONTROL 2	2	
20	703-48358-00-00	. .ANCHOR, CABLE	1	
21	703-48244-00-00	. .SPRING, FREE ACCEL.	1	
22	703-48238-00-00	. .SPRING, DETENT	5	
23	703-48246-00-00	. .SPACER	1	
24	703-48227-00-00	. .SPRING, NEUTRAL LOCK	1	
25	703-48226-00-00	. .PLATE, STOPPER	1	
26	703-48222-10-00	. .GRIP, CONTROL LEVER	1	
27	703-48223-00-00	. .LOCK, NEUTRAL	1	
28	703-48225-00-00	. .COVER	1	
29	703-48219-00-00	. .COVER, LEAD	1	
30	703-48281-00-00	. .SCREW	2	
31	703-44189-00-00	. .SCREW	7	
32	97380-08030-00	. .BOLT	1	
33	92990-08600-00	. .WASHER, PLATE	1	
34	98580-04010-00	. .SCREW, PAN HEAD	2	
35	98580-04006-00	. .SCREW, PAN HEAD	2	
36	98580-05010-00	. .SCREW, PAN HEAD	1	
37	703-44189-10-00	. .SCREW	3	
38	95380-06600-00	. .NUT, HEXAGON	3	

CONTINUED ON NEXT FRAME >

# CONTROL 703 MANUAL

703 REMOTE CONTROL  
Successor model of 701 REMOTE CONTROL



Ref No.	Part Number	Description	Qty	Remarks
39	703-48293-10-00	. SPACER, REMOTE CONTROL	1	
40	701-48287-00-00	. .WASHER	3	
41	703-48215-00-00	. GRAPHIC	1	
42	703-48138-00-00	. .CAP, LOCK ARM	1	
43	701-82575-53-00	. .ENGINE STOP SWITCH ASSY	1	
44	682-82556-00-00	. . .LANYARD, STOP SWITCH	1	
45	703-48284-20-00	. .GROMMET	1	
46	703-82592-00-00	. BAND	2	
47	703-48221-00-00	. LEVER, CONTROL	1	
48	703-48152-00-00	. KNOB, FREE ACCEL.	1	
49	703-48212-00-00	. BACK PLATE 1	1	
50	703-48213-00-00	. BACK PLATE 2	1	
51	703-48271-00-00	. .ARM, SHIFT	1	
52	703-48211-02-00	. HOUSING,1	1	
53	703-48232-00-00	. .GEAR	1	