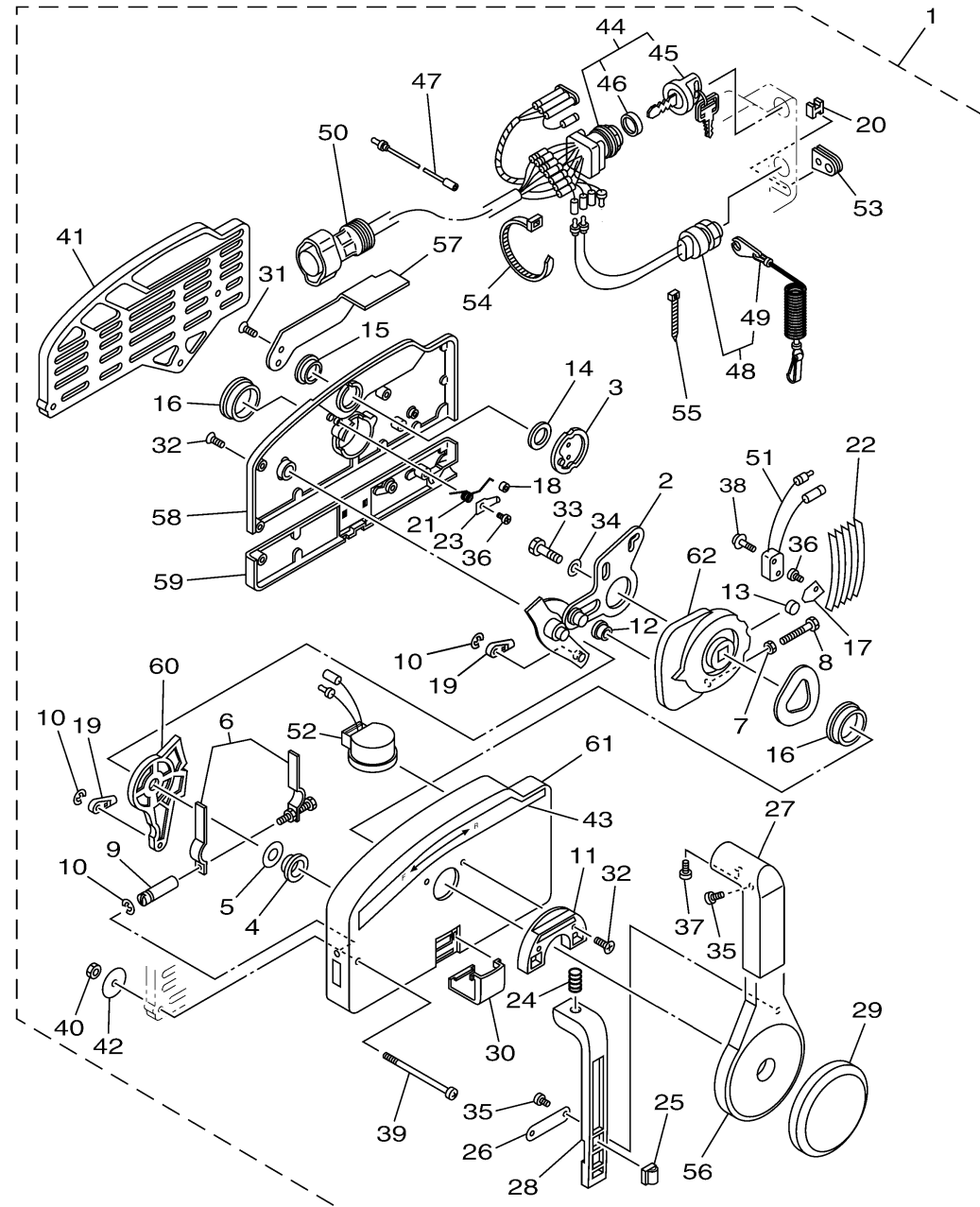


CONTROL 703 PULL

703 REMOTE CONTROL (PULL TO OPEN TYPE)



Ref No.	Part Number	Description	Qty	Remarks
1	703-48230-1A-10	REMOTE CONTROL ASSY (7P)	1	UR WITHOUT PT/T SW.
2	703-48261-11-00	. .ARM, THROTTLE	1	
3	703-48153-00-00	. .SHAFT, FREE ACCEL.	1	
4	703-48235-00-00	. .BUSHING	1	
5	703-48268-00-00	. .SPACER	1	
6	703-48264-00-00	. .FRICTION, THROTTLE	1	
7	95380-05600-00	. .NUT	1	
8	97380-05025-00	. .BOLT	1	
9	703-48265-00-00	. .SHAFT, FRICTION	1	
10	93430-06024-00	. .CIRCLIP	3	
11	703-48245-00-00	. .PLATE, LOCK	1	
12	703-48252-00-00	. .ROLLER, CAM	1	
13	701-48248-00-00	. .ROLLER, FREE ACCEL.	1	
14	703-48198-00-00	. .WASHER, WAVE	1	
15	703-48243-00-00	. .BUSHING	1	
16	703-48236-00-00	. .BUSHING 1	2	
17	703-48189-00-00	. .RETAINER	1	
18	703-48234-00-00	. .ROLLER, DETENT	1	
19	703-48345-01-00	. .CABLE END, REMOTE CONTROL 2	2	
20	703-48358-00-00	. .ANCHOR, CABLE	1	

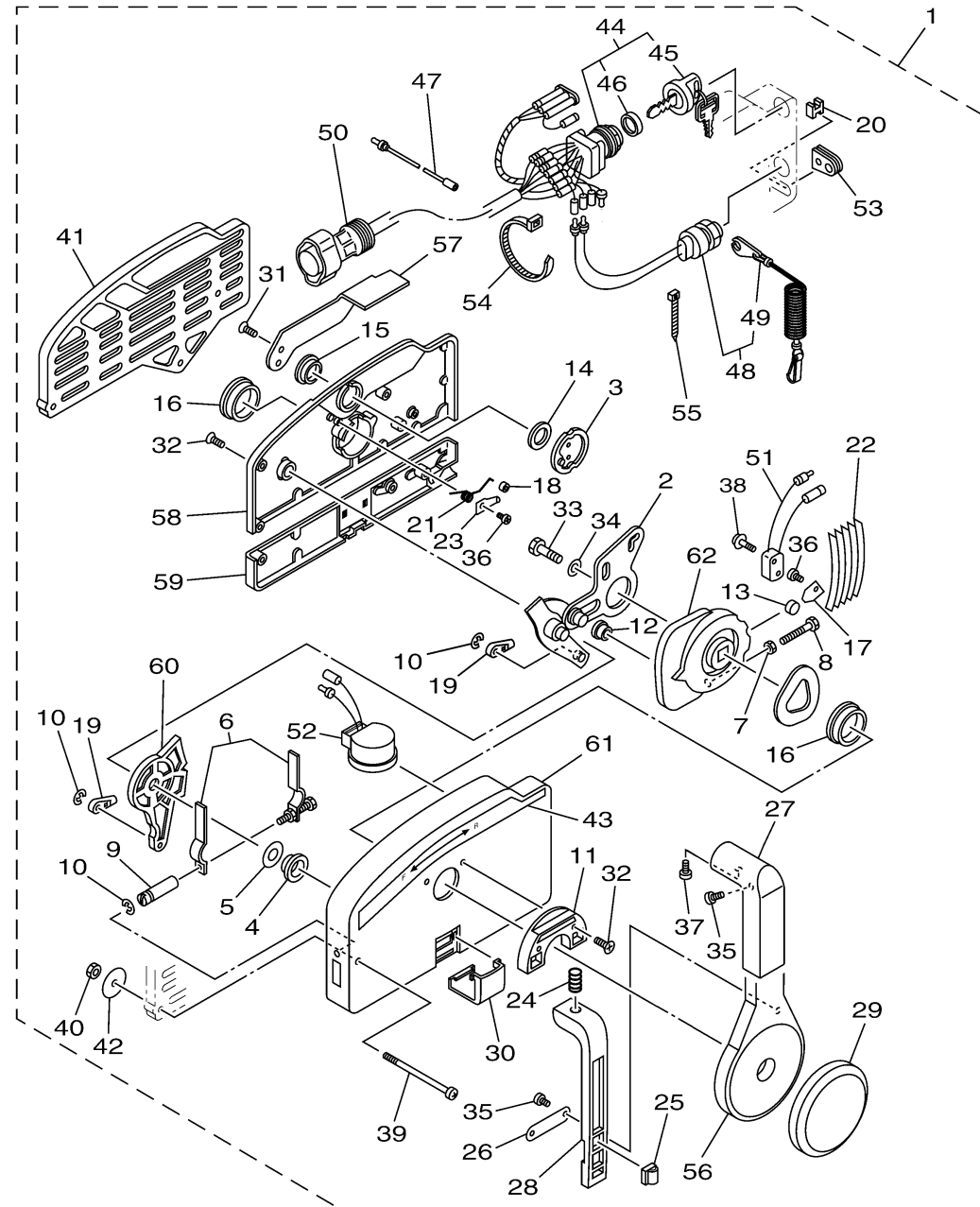
CONTINUED ON NEXT FRAME >



601R10R-N070

CONTROL 703 PULL

703 REMOTE CONTROL (PULL TO OPEN TYPE)



Ref No.	Part Number	Description	Qty	Remarks
21	703-48244-00-00	..SPRING, FREE ACCEL.	1	
22	703-48238-00-00	..SPRING, DETENT	5	
23	703-48246-00-00	..SPACER	1	
24	703-48227-00-00	..SPRING, NEUTRAL LOCK	1	
25	703-82594-00-00	.. CLAMP	1	
26	703-48226-00-00	..PLATE, STOPPER	1	
27	703-48222-10-00	.. GRIP, CONTROL LEVER	1	
28	703-48223-00-00	..LOCK, NEUTRAL	1	
29	703-48225-00-00	..COVER	1	
30	703-48219-00-00	..COVER, LEAD	1	
31	703-48281-00-00	..SCREW	2	
32	703-44189-00-00	.. SCREW	7	
33	97380-08030-00	..BOLT	1	
34	92990-08600-00	..WASHER, PLATE	1	
35	98580-04010-00	..SCREW, PAN HEAD	2	
36	98580-04006-00	..SCREW, PAN HEAD	2	
37	98580-05010-00	..SCREW, PAN HEAD	1	
38	703-48129-00-00	..SCREW 3	2	
39	703-44189-10-00	.. SCREW	3	
40	95380-06600-00	.. NUT, HEXAGON	3	

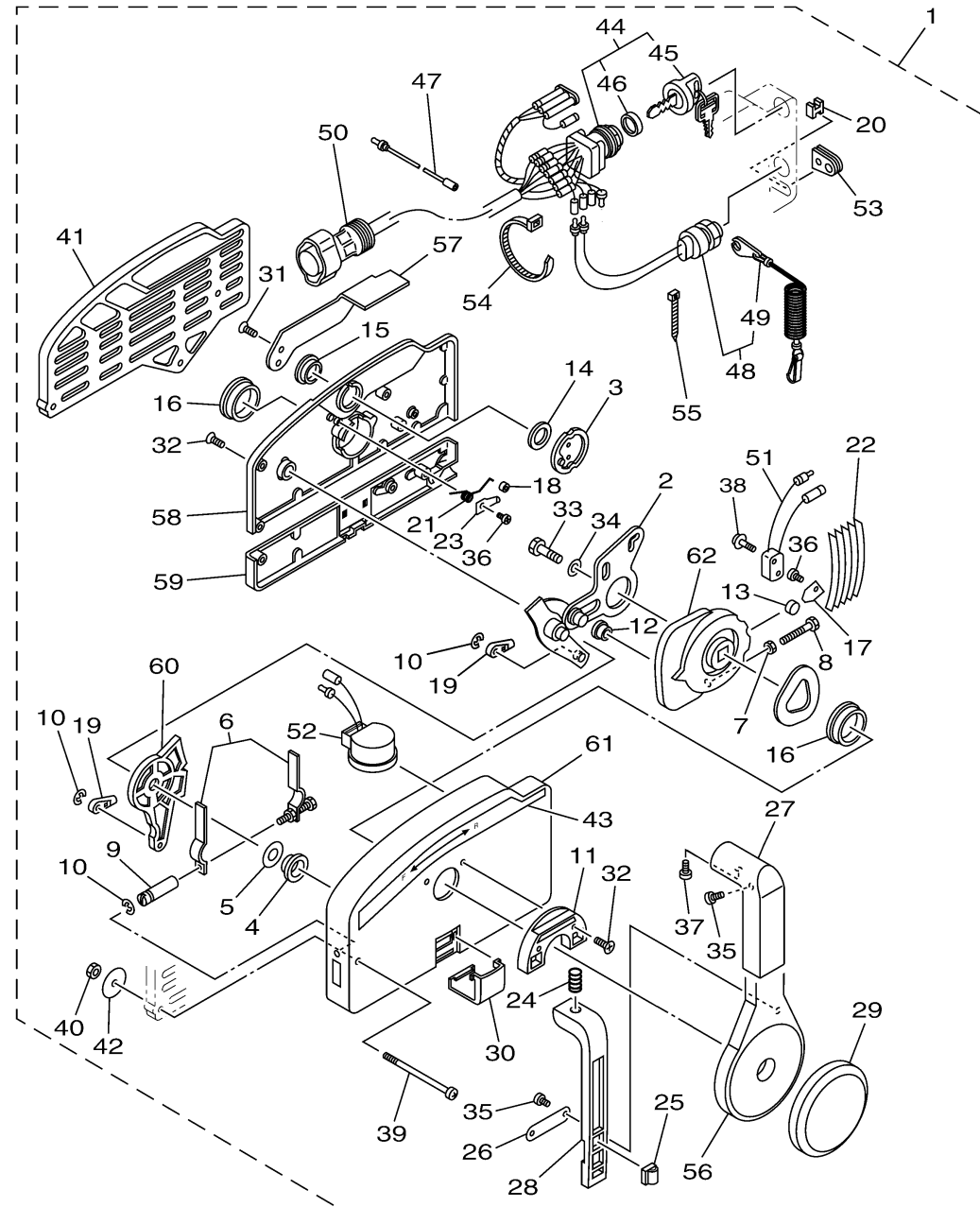
CONTINUED ON NEXT FRAME >



601R10R-N070

CONTROL 703 PULL

703 REMOTE CONTROL (PULL TO OPEN TYPE)



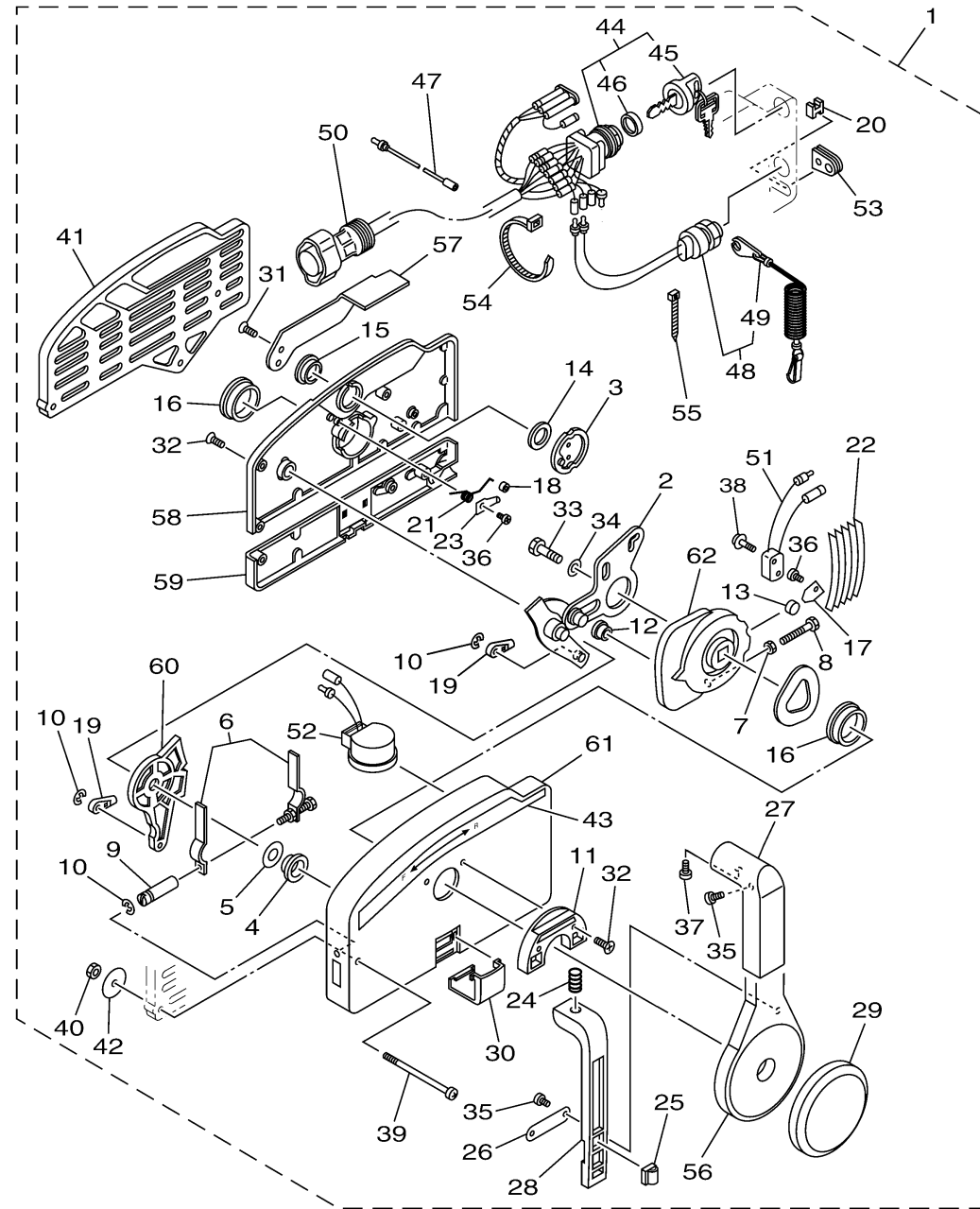
FWD
601R10R-N070

Ref No.	Part Number	Description	Qty	Remarks
41	703-48293-10-00	.. SPACER, REMOTE CONTROL	1	
42	701-48287-00-00	..WASHER	3	
43	703-48215-00-00	.. GRAPHIC	1	
44	703-82510-34-00	.. MAIN SWITCH ASSY	1	
45	703-82577-00-00	.. CAP, KEY	1	
46	6K1-82532-00-00	.. CAP	1	
47	703-82531-00-00	.. WIRE, LEAD (L70)	1	
48	688-82575-01-00	..ENGINE STOP SWITCH ASSY	1	
49	682-82556-00-00	...LANYARD, STOP SWITCH	1	
50	688-82586-21-00	.. EXTENSION, WIRE HARNESS (4.9M)	1	(7P)
51	703-82540-00-00	..NEUTRAL SWITCH ASSY	1	
52	703-83383-11-00	..BUZZER	1	
53	703-48284-00-00	.. GROMMET	1	
54	703-82591-00-00	.. BAND	1	
55	703-82592-00-00	.. BAND	1	
56	703-48221-00-00	.. LEVER, CONTROL	1	
57	703-48152-00-00	.. KNOB, FREE ACCEL.	1	
58	703-48212-00-00	.. BACK PLATE 1	1	
59	703-48213-00-00	.. BACK PLATE 2	1	
60	703-48271-00-00	...ARM, SHIFT	1	

CONTINUED ON NEXT FRAME >

CONTROL 703 PULL

703 REMOTE CONTROL (PULL TO OPEN TYPE)



Ref No.	Part Number	Description	Qty	Remarks
61	703-48211-02-00	.. HOUSING,1	1	
62	703-48232-00-00	...GEAR	1	



601R10R-N070