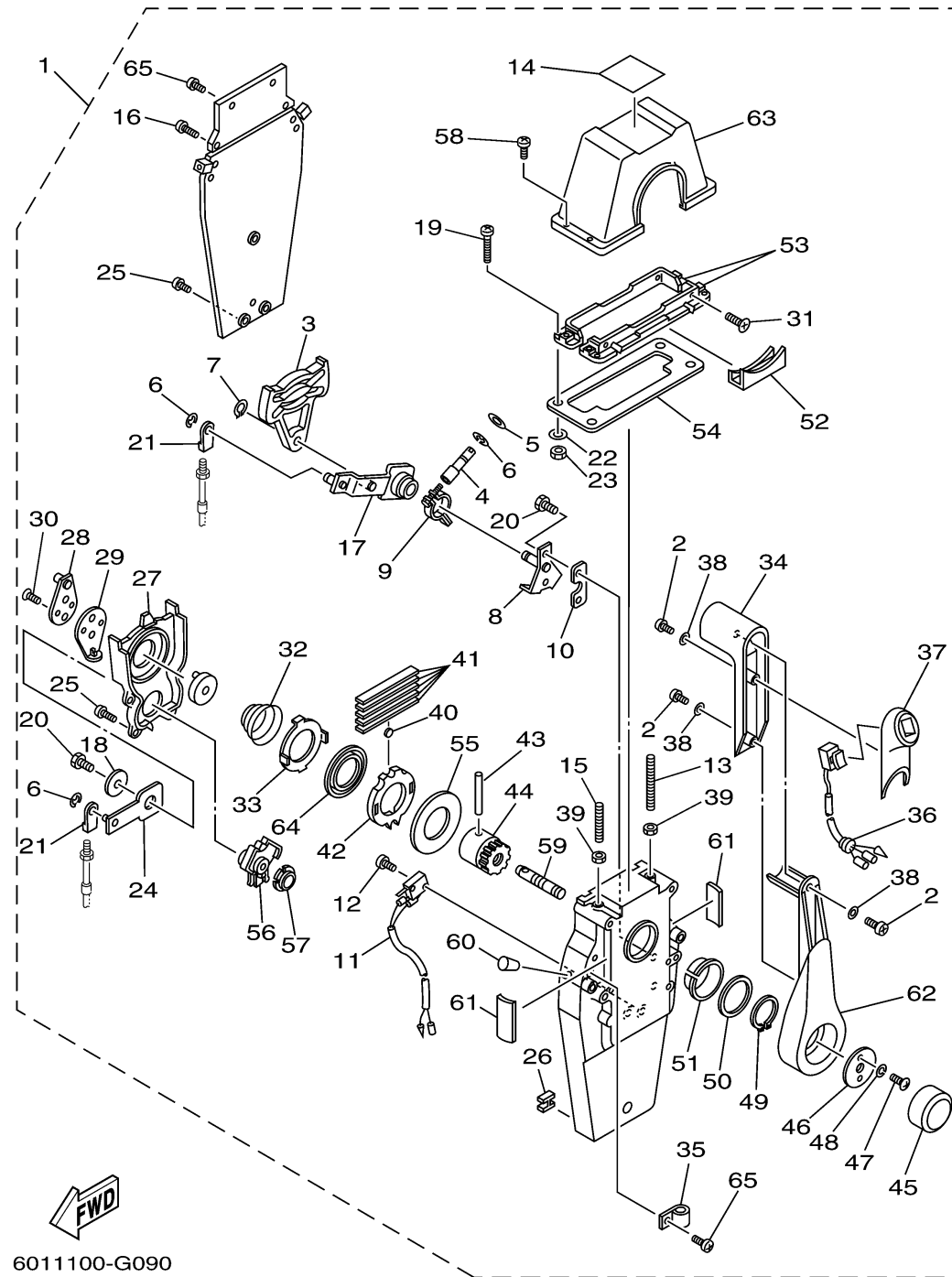


CONTROL BINNACLE STANDARD SINGLE

704 REMOTE CONTROL (STANDARD SINGLE)



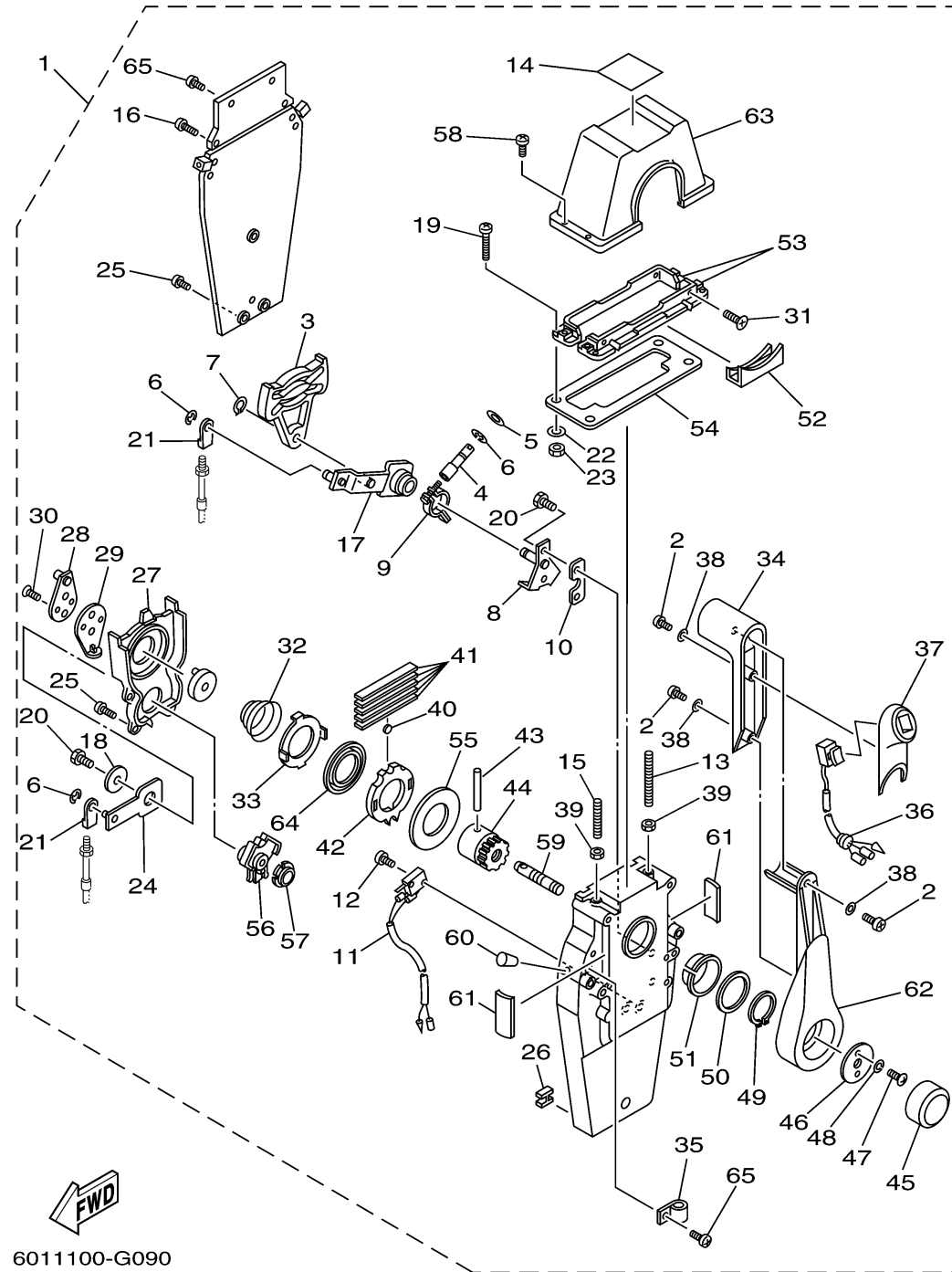
6011100-G090

Ref No.	Part Number	Description	Qty	Remarks
1	704-48205-B1-00	REMOTE CONTROL ASSY	1	WITH PT/T SW.
2	704-48128-00-00	..SCREW 2	3	
3	EL8-48251-00-00	..PLATE, CAM	1	
4	704-48265-00-00	..SHAFT, FRICTION	1	
5	701-48246-00-00	..SPACER	1	
6	93430-06024-00	..CIRCLIP	4	
7	EL8-48259-00-00	..CIRCLIP 1	1	
8	704-48262-00-00	..SHAFT, THROTTLE	1	
9	704-48264-00-00	..THROTTLE, FRICTION	1	
10	704-48266-00-00	..SPACER	1	
11	704-82540-20-00	..NEUTRAL SWITCH ASSY	1	
12	6A5-48129-10-00	..SCREW 3	2	
13	EL8-48281-00-00	..SCREW	1	
14	704-48215-00-00	..GRAPHIC	1	
15	704-48281-00-00	..SCREW	1	
16	97890-05025-00	..SCREW, PAN HEAD	2	
17	704-48261-00-00	..ARM, THROTTLE	1	
18	EL8-48191-00-00	..WASHER 1	1	
19	704-48283-00-00	..SCREW	4	
20	97380-06018-00	..BOLT	3	

CONTINUED ON NEXT FRAME >

CONTROL BINNACLE STANDARD SINGLE

704 REMOTE CONTROL (STANDARD SINGLE)



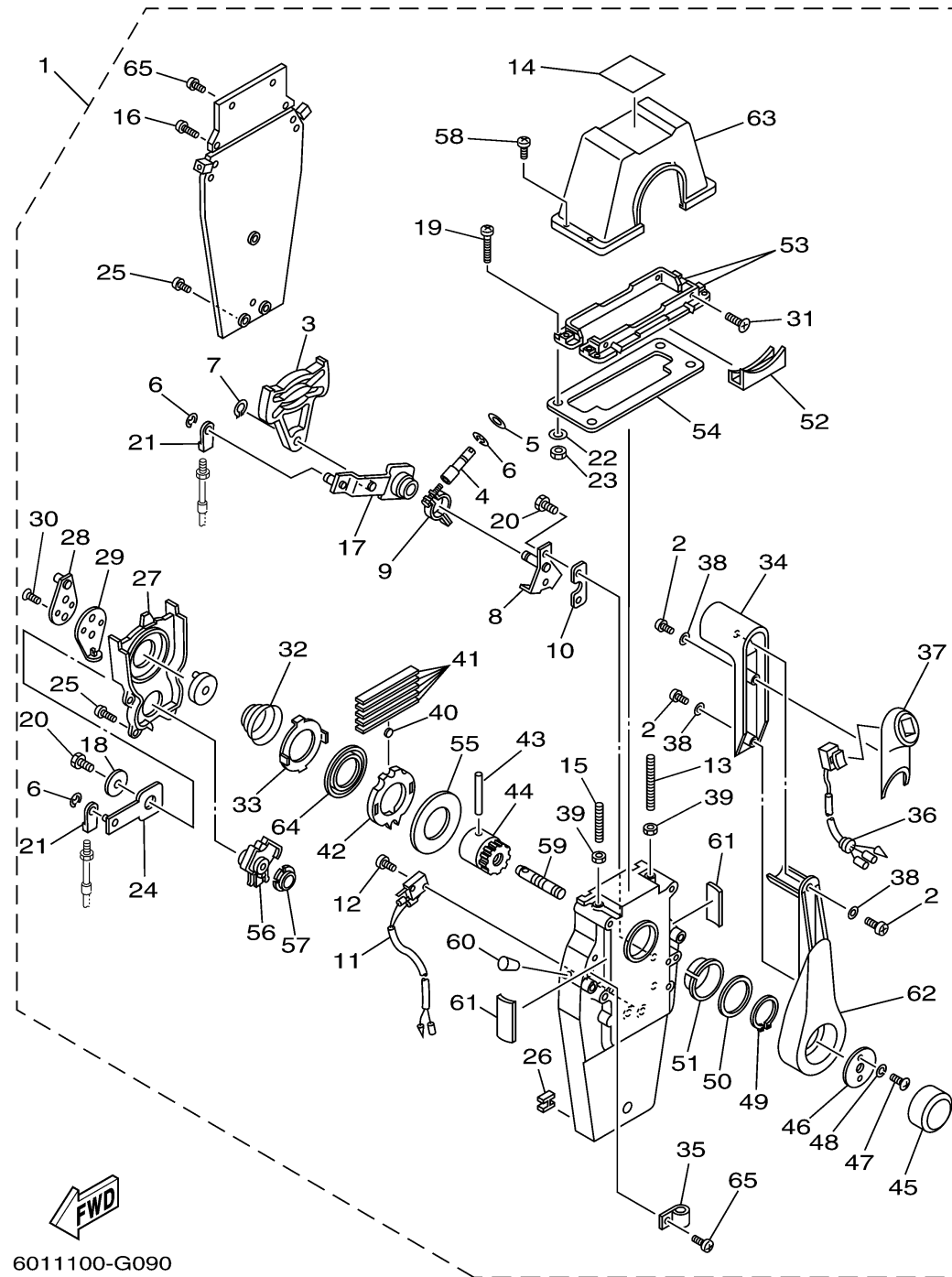
6011100-G090

Ref No.	Part Number	Description	Qty	Remarks
21	703-48345-01-00	. .CABLE END, REMOTE CONTROL 2	2	
22	704-48287-00-00	. .WASHER	4	
23	95380-05600-00	. .NUT	4	
24	EL8-48271-10-00	. .ARM, SHIFT	1	
25	EL8-48127-00-00	. .SCREW 1	9	
26	703-48358-00-00	. .ANCHOR, CABLE	1	
27	EL8-48231-00-00	. .HOUSING, GEAR	1	
28	EL8-48241-10-00	. .ARM, DRIVE	1	
29	EL8-48254-10-00	. .STOPPER, THROTTLE ADJUST	1	
30	92780-06020-00	. .SCREW, FLAT HEAD	2	
31	98780-05018-00	. .SCREW, FLAT HEAD	4	
32	EL8-48244-00-00	. .SPRING, FREE ACCEL.	1	
33	EL8-48245-00-00	. .PLATE, LOCK	1	
34	704-48222-B0-00	. .GRIP, CONTROL LEVER	1	
35	704-82594-00-00	. .CLAMP	1	
36	704-82563-41-00	. .TRIM & TILT SWITCH ASSY	1	
37	704-48229-B1-00	. .GRIP, CONTROL LEVER	1	
38	92990-05300-00	. .WASHER, INTERNAL TOOTH	3	
39	95380-06600-00	. .NUT, HEXAGON	2	
40	701-48248-00-00	. .ROLLER, FREE ACCEL.	1	

CONTINUED ON NEXT FRAME >

CONTROL BINNACLE STANDARD SINGLE

704 REMOTE CONTROL (STANDARD SINGLE)



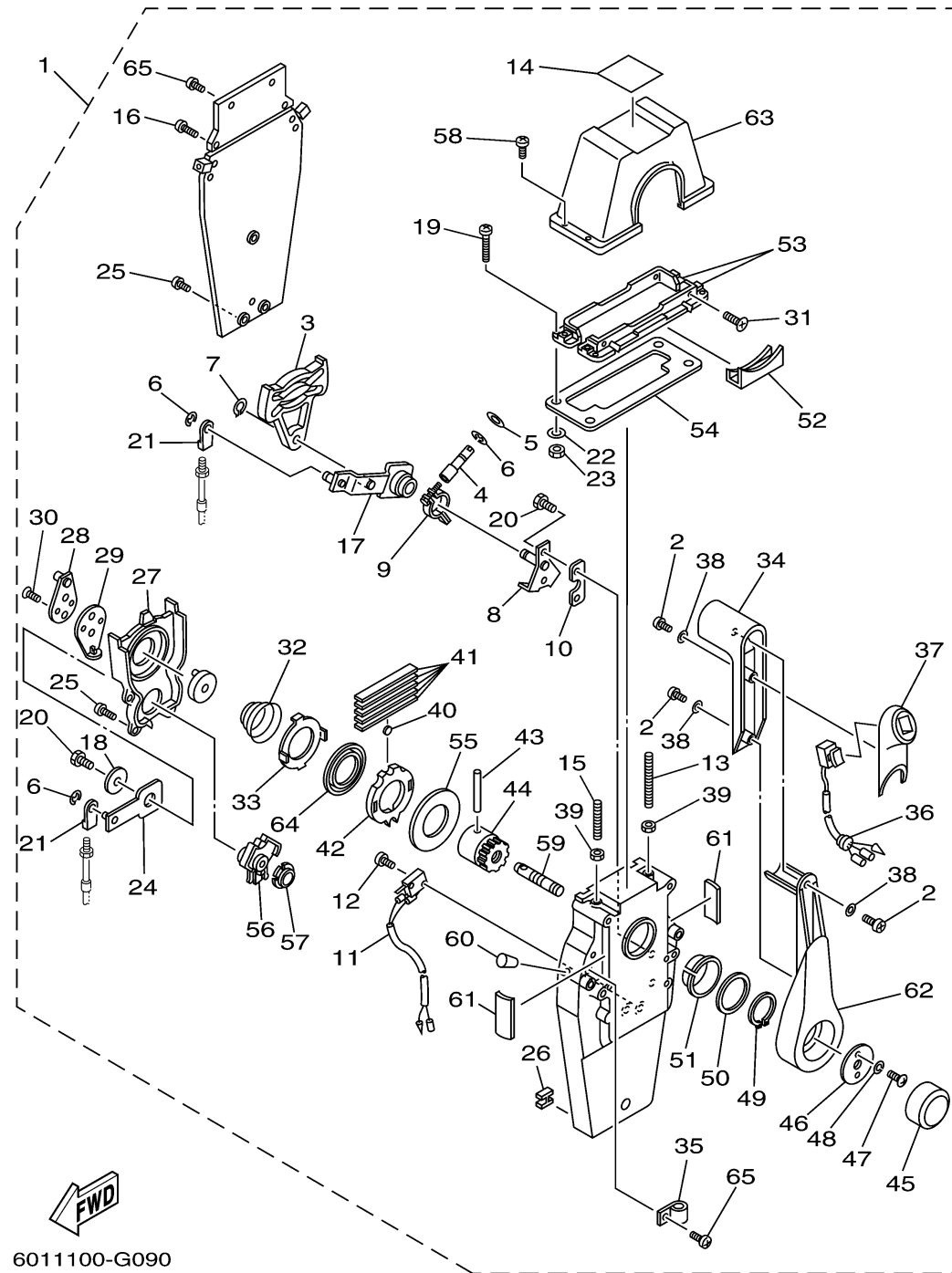
6011100-G090

Ref No.	Part Number	Description	Qty	Remarks
41	704-48238-00-00	..SPRING, DETENT	5	
42	EL8-48232-00-00	..GEAR 1	1	
43	EL8-48164-00-00	..PIN 2	1	
44	704-48242-00-00	..SHAFT, DRIVE	1	
45	6X3-48225-20-00	..COVER	1	
46	704-48192-00-00	..WASHER 2	1	
47	97890-06018-00	..SCREW, PAN HEAD	2	
48	92990-06300-00	..WASHER, INTERNAL TOOTH	2	
49	EL8-48279-00-00	..CIRCLIP 2	1	
50	704-48193-00-00	..WASHER 3	1	
51	EL8-48234-00-00	..BUSHING 1	1	
52	704-48219-B0-00	..COVER, LEAD	1	
53	704-48144-00-00	..PLATE, STOPPER 2	2	
54	704-48176-00-00	..GROMMET	1	
55	703-48192-00-00	..WASHER 2	1	
56	EL8-48233-00-00	..GEAR 2	1	
57	702-48235-00-00	..BUSHING	1	
58	704-48282-00-00	..SCREW	4	
59	704-48153-00-00	..SHAFT, FREE ACCEL.	1	
60	704-48166-00-00	..PLUG	1	

CONTINUED ON NEXT FRAME >

CONTROL BINNACLE STANDARD SINGLE

704 REMOTE CONTROL (STANDARD SINGLE)



6011100-G090

Ref No.	Part Number	Description	Qty	Remarks
61	704-48284-00-00	..GROMMET	2	
62	704-48221-B0-00	..LEVER, CONTROL	1	
63	704-48119-B0-00	..COVER	1	
64	704-48178-10-00	..PLATE, SHIFT	1	
65	97890-05016-00	..SCREW, PAN HEAD	3	