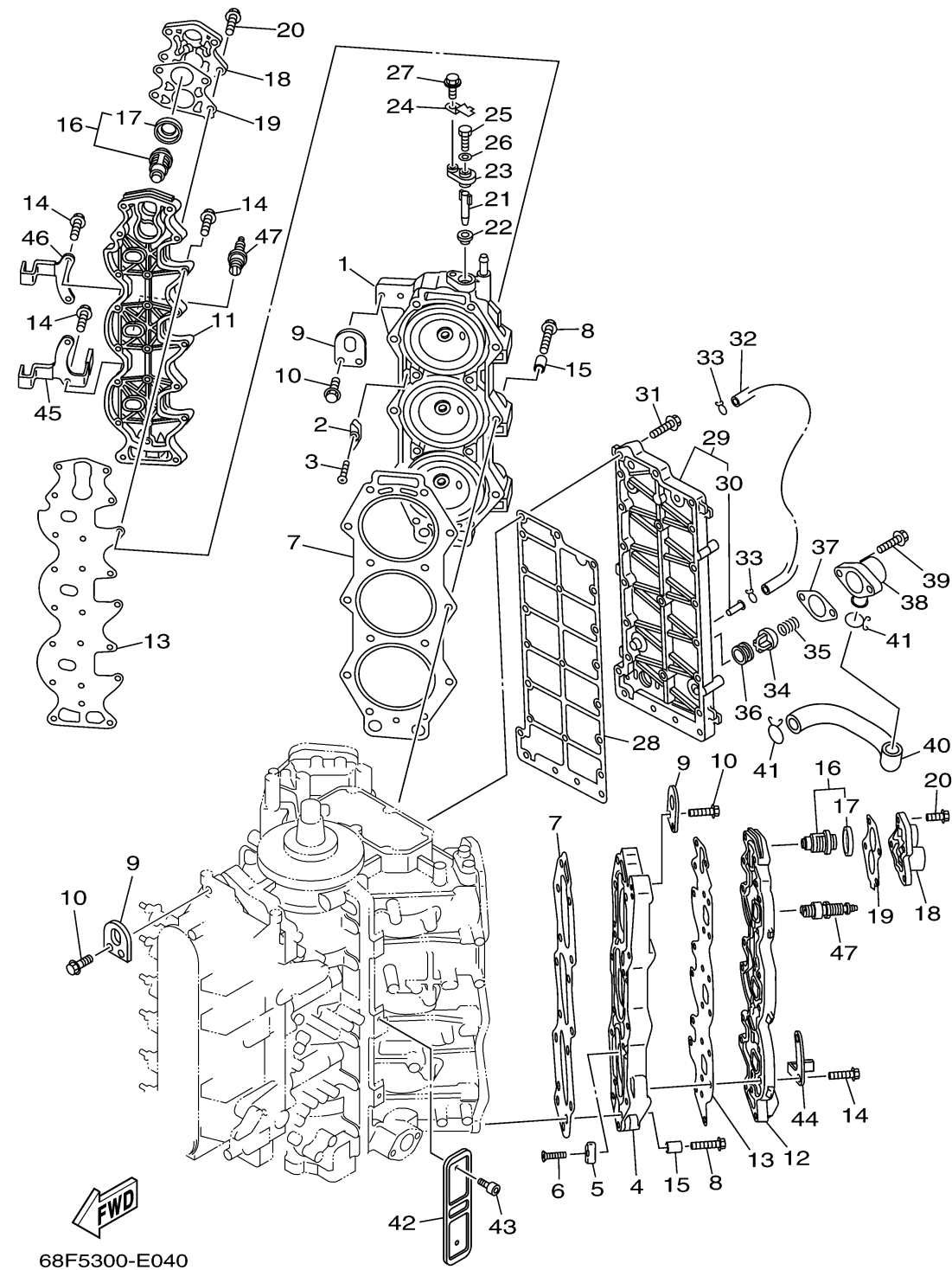


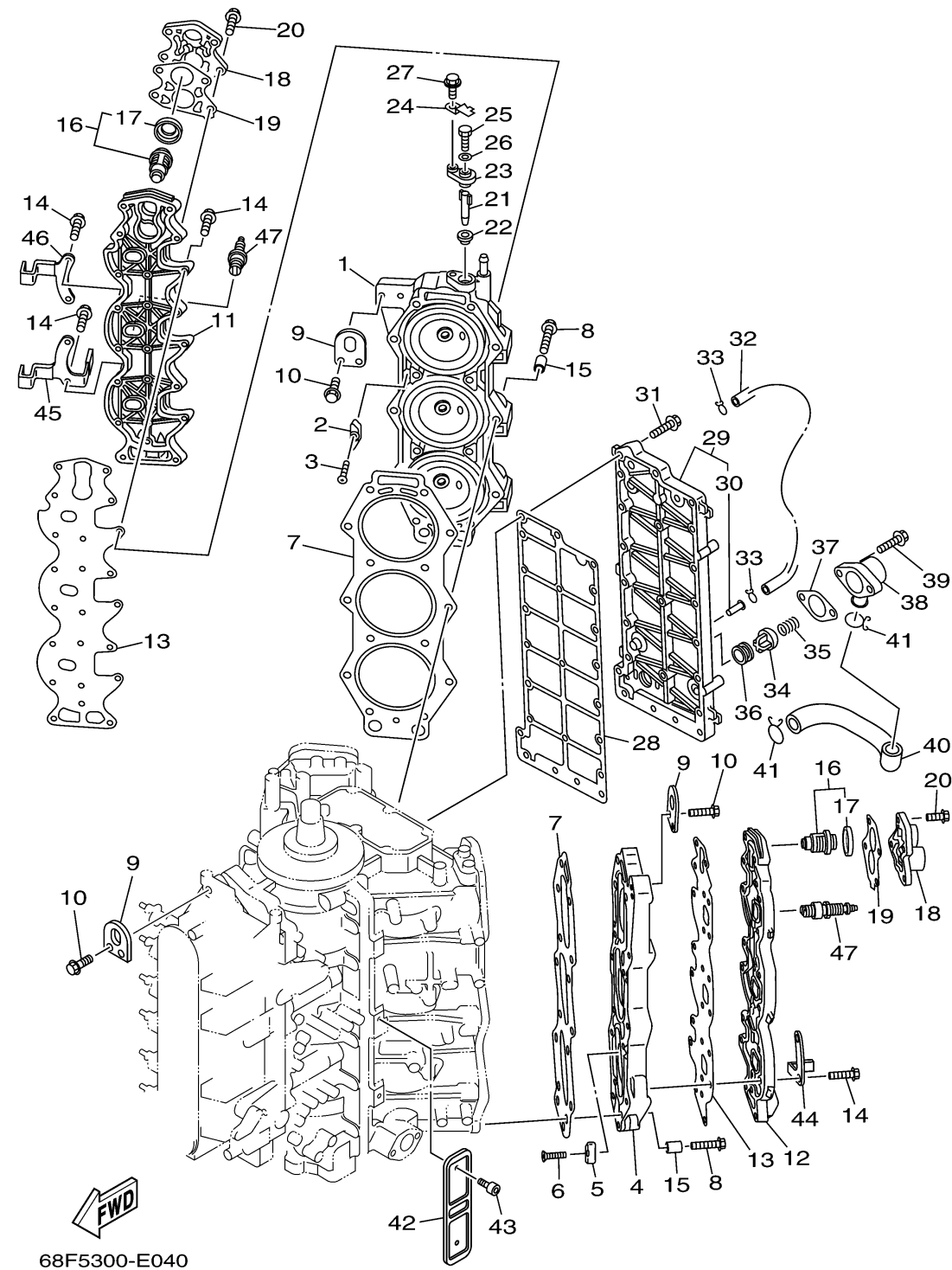
# CYLINDER CRANKCASE 2



Ref No.	Part Number	Description	Qty	Remarks
1	68F-11111-00-94	HEAD, CYLINDER 1	1	
2	6E5-11325-00-00	ANODE	3	
3	98780-04015-00	SCREW, FLAT HEAD	3	
4	68F-11121-00-94	HEAD, CYLINDER 2	1	
5	6E5-11325-00-00	ANODE	4	
6	98780-04015-00	SCREW, FLAT HEAD	4	
7	68F-11181-00-00	.GASKET, CYLINDER HEAD 1	2	
8	90119-08MA8-00	BOLT, WITH WASHER	28	
9	68F-11119-00-00	HANGER, ENGINE	3	
10	90119-06MA2-00	BOLT, WITH WASHER	5	
11	68F-11191-00-1S	COVER, CYLINDER HEAD 1	1	
12	68F-11192-00-1S	COVER, CYLINDER HEAD 2	1	
13	68F-11193-02-00	.GASKET, HEAD COVER 1	2	
14	90119-06MA4-00	BOLT, WITH WASHER	36	
15	99530-10114-00	PIN, DOWEL	4	
16	6E5-12411-30-00	THERMOSTAT	2	
17	688-12412-00-00	.SEAL, THERMOSTAT	1	
18	688-12413-00-1S	COVER, THERMOSTAT	2	
19	688-12414-A1-00	.GASKET, COVER	2	
20	90119-06MA6-00	BOLT, WITH WASHER	8	

CONTINUED ON NEXT FRAME >

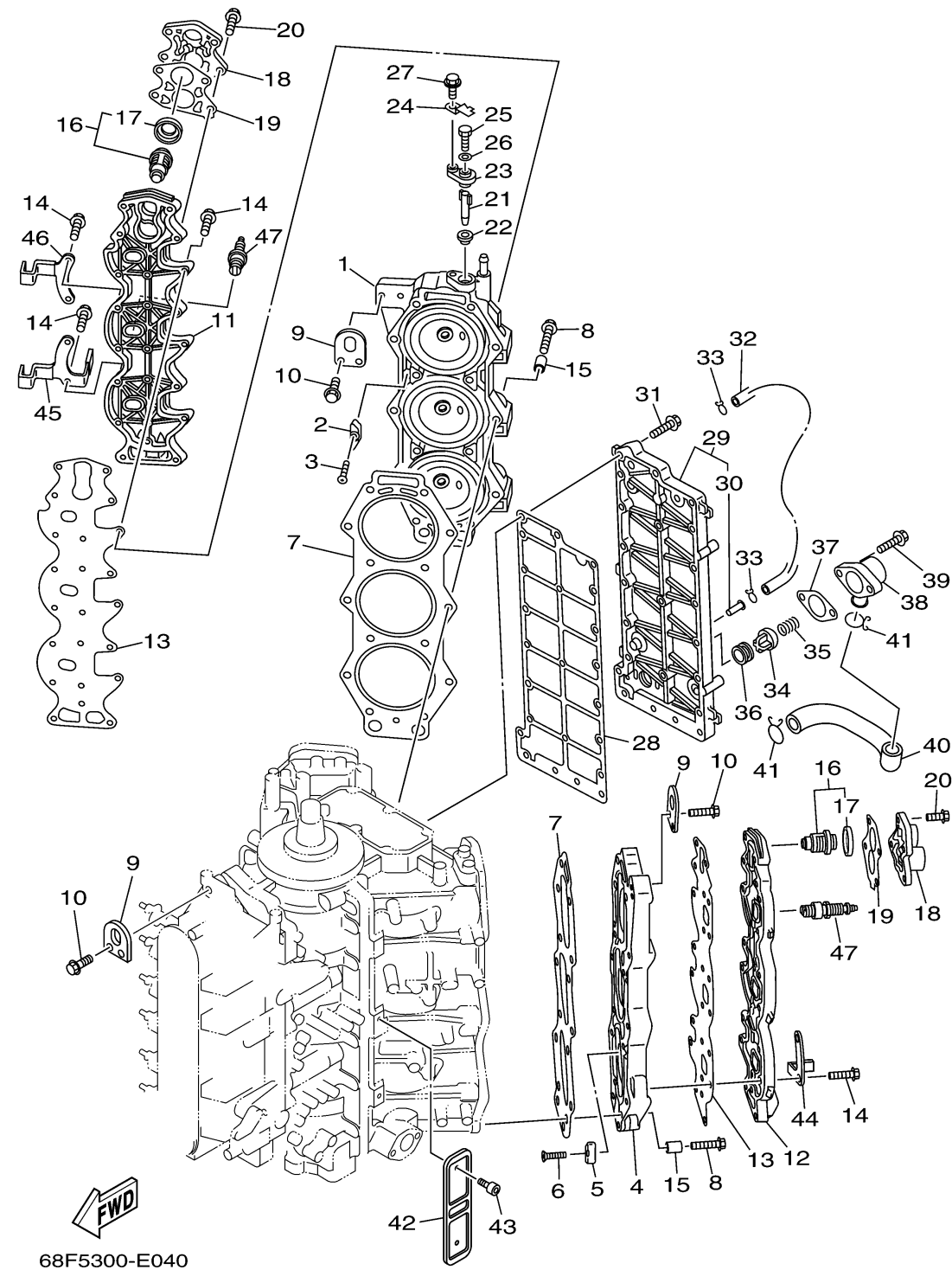
# CYLINDER CRANKCASE 2



Ref No.	Part Number	Description	Qty	Remarks
21	62Y-11325-00-00	ANODE	1	
22	66M-11328-00-00	GROMMET, ANODE	1	
23	66M-11327-00-94	COVER, ANODE	1	
24	66M-12535-00-00	PLATE	1	
25	97095-05012-00	BOLT	1	
26	92995-05600-00	WASHER	1	
27	90119-06MA2-00	BOLT, WITH WASHER	1	
28	68F-41114-00-00	.GASKET, EXHAUST OUTER COVER	1	
29	68F-41113-10-1S	OUTER COVER, EXHAUST	1	
30	650-24378-00-00	. PIPE, JOINT 4	1	
31	90119-06MA4-00	BOLT, WITH WASHER	23	
32	90445-09M25-00	HOSE (L600)	1	
33	90467-08M18-00	CLIP	2	
34	60H-12416-00-00	VALVE, PRESSURE CONTROL	1	
35	90501-16M11-00	SPRING, COMPRESSION	1	
36	90480-20M05-00	GROMMET	1	
37	6G5-11382-A1-00	.GASKET 2	1	
38	6G5-11372-00-1S	COVER, BYPASS 2	1	
39	97595-06520-00	BOLT, WITH WASHER	2	
40	68F-12576-00-00	HOSE 1	1	

CONTINUED ON NEXT FRAME >

# CYLINDER CRANKCASE 2



Ref No.	Part Number	Description	Qty	Remarks
41	90467-23M16-00	CLIP	2	
42	68F-8255V-00-00	PLATE, COVER	1	
43	91380-05008-00	BOLT	2	
44	68F-82388-10-00	PLATE	1	
45	68F-82389-00-00	PLATE 2	1	
46	68F-82398-00-00	PLATE 3	1	
47	BKR-6EKU1-00-00	PLUG, SPARK (NGK BKR6EKU)	6	