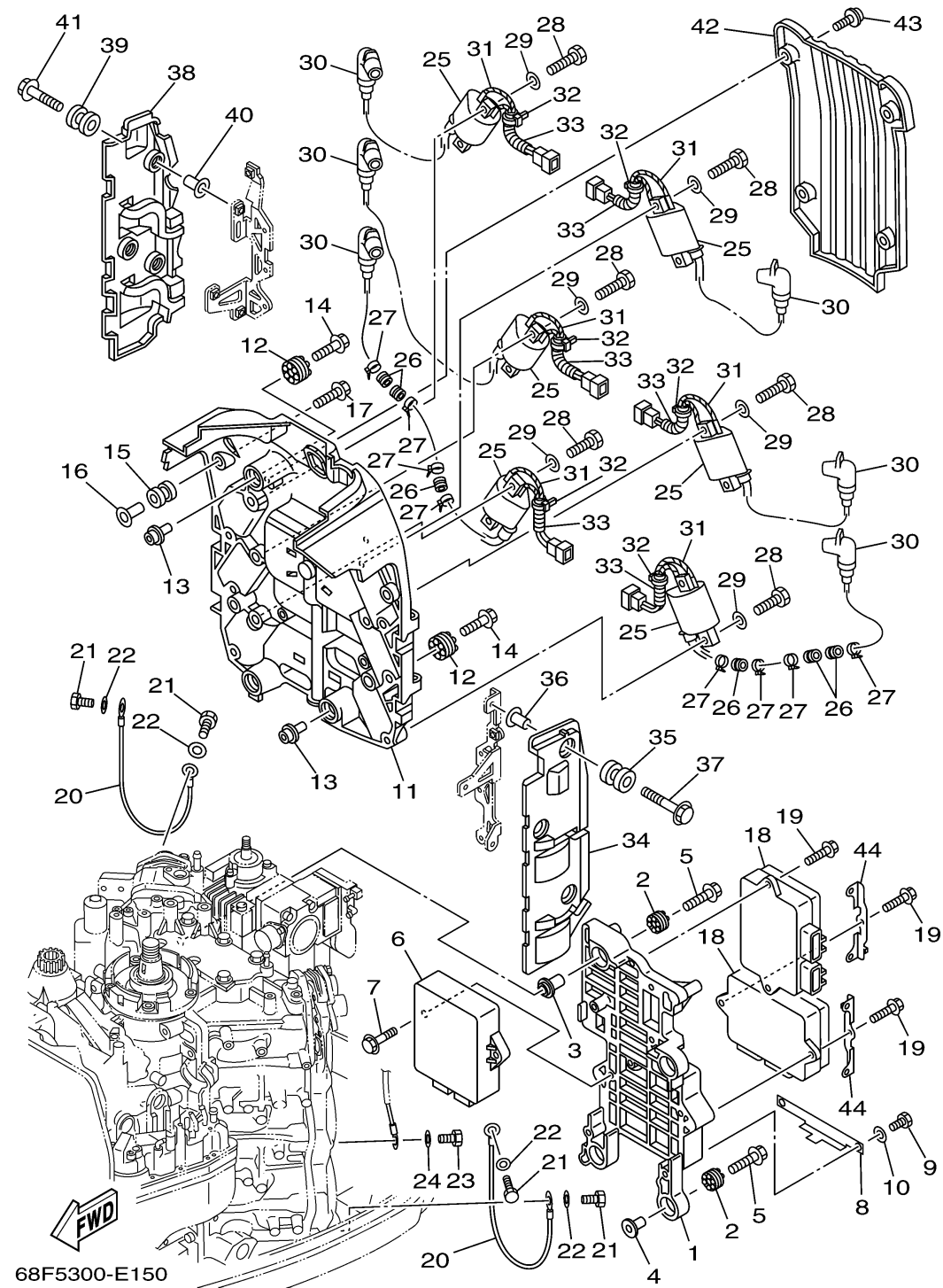


ELECTRICAL 1

| Ref No. | Part Number | Description | Qty | Remarks |
|---------|-----------------|--------------------------|-----|---------|
| 1 | 60V-85542-01-94 | BRACKET | 1 | |
| 2 | 68F-85564-00-00 | GROMMET | 4 | |
| 3 | 90387-06176-00 | COLLAR | 2 | |
| 4 | 68F-86129-10-00 | COLLAR | 2 | |
| 5 | 68F-85119-00-00 | BOLT | 4 | |
| 6 | 68J-8591A-33-00 | ENGINE CONTROL UNIT ASSY | 1 | |
| 7 | 90119-06MA3-00 | BOLT, WITH WASHER | 2 | |
| 8 | 60V-85548-00-00 | HOLDER | 1 | |
| 9 | 97013-06014-00 | BOLT | 2 | |
| 10 | 92903-06600-00 | WASHER, PLATE | 2 | |
| 11 | 68F-82316-00-00 | BRACKET, IGNITION COIL | 1 | |
| 12 | 68F-85516-01-00 | SPACER | 4 | |
| 13 | 68F-86129-10-00 | COLLAR | 4 | |
| 14 | 68F-85119-00-00 | BOLT | 4 | |
| 15 | 6A0-82317-00-00 | DAMPER, IGNITION COIL | 4 | |
| 16 | 90387-06119-00 | COLLAR | 4 | |
| 17 | 90119-06M88-00 | BOLT, WITH WASHER | 4 | |
| 18 | 60V-8591B-00-00 | DRIVER, INJECTOR ASSY | 2 | |
| 19 | 90119-06MA2-00 | BOLT, WITH WASHER | 4 | |
| 20 | 6G0-82519-00-00 | WIRE, EARTH LEAD | 2 | |

CONTINUED ON NEXT FRAME >

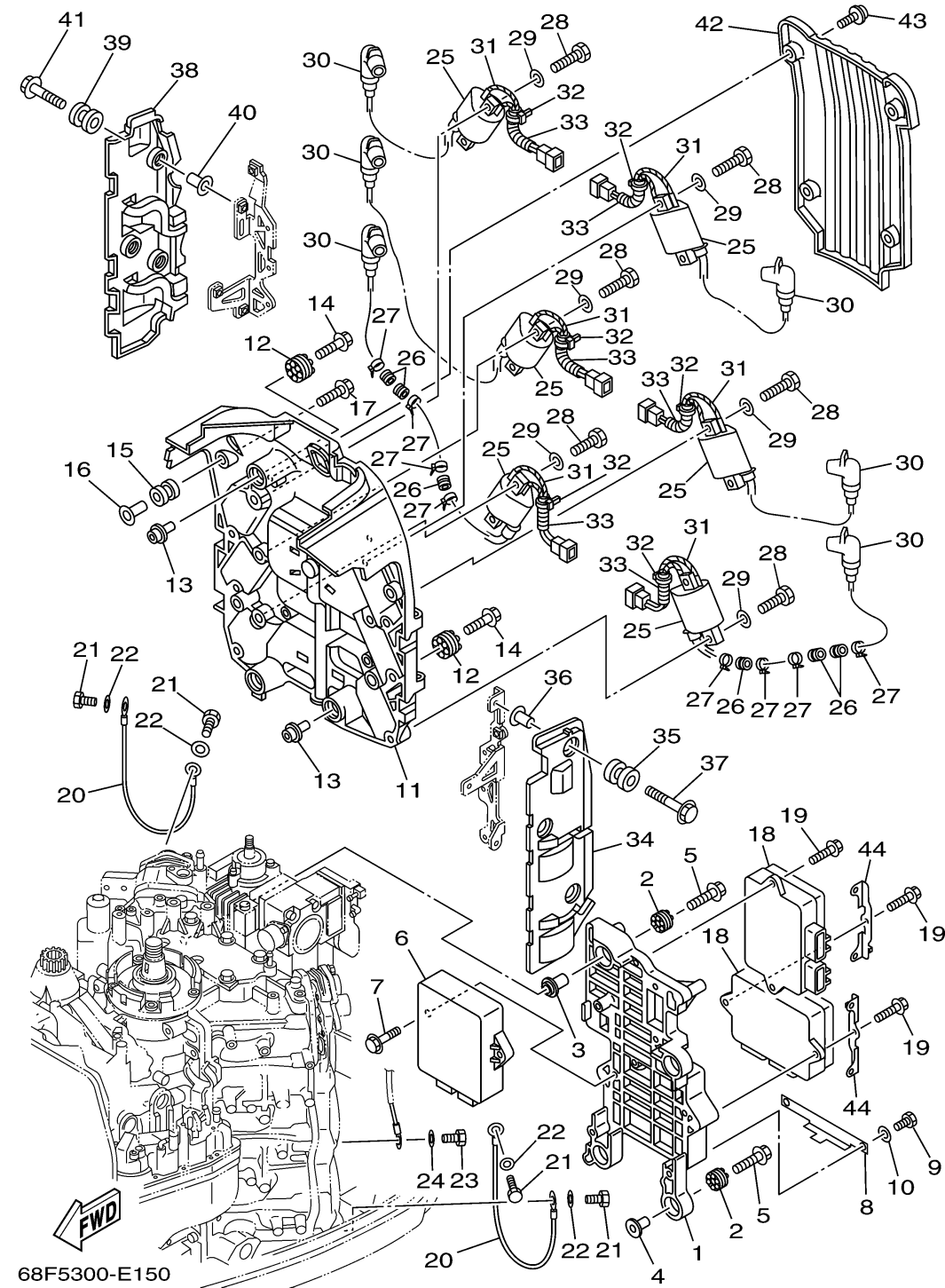


ELECTRICAL 1

| Ref No. | Part Number | Description | Qty | Remarks |
|---------|-----------------|-----------------------|-----|---------|
| 21 | 97095-06012-00 | BOLT | 4 | |
| 22 | 92995-06600-00 | WASHER | 4 | |
| 23 | 97095-06012-00 | BOLT | 1 | |
| 24 | 92995-06600-00 | WASHER | 1 | |
| 25 | 68F-82310-01-00 | IGNITION COIL ASSY | 6 | |
| 26 | 90480-22M15-00 | GROMMET | 6 | |
| 27 | 90465-11M10-00 | CLAMP | 8 | |
| 28 | 97013-05020-00 | BOLT | 12 | |
| 29 | 92903-05600-00 | WASHER, PLATE | 12 | |
| 30 | 68F-82370-01-00 | PLUG CAP ASSY | 6 | |
| 31 | 90448-03001-00 | HOSE, WITH UNION | 12 | |
| 32 | 90465-11M10-00 | CLAMP | 6 | |
| 33 | 90447-07007-00 | TUBE | 6 | |
| 34 | 68F-8252U-20-00 | COVER | 1 | |
| 35 | 6A0-82317-00-00 | DAMPER, IGNITION COIL | 3 | |
| 36 | 90387-06119-00 | COLLAR | 3 | |
| 37 | 90119-06M88-00 | BOLT, WITH WASHER | 3 | |
| 38 | 68F-8252U-30-00 | COVER | 1 | |
| 39 | 6A0-82317-00-00 | DAMPER, IGNITION COIL | 3 | |
| 40 | 90387-06119-00 | COLLAR | 3 | |

CONTINUED ON NEXT FRAME >

ELECTRICAL 1



| Ref No. | Part Number | Description | Qty | Remarks |
|---------|-----------------|--------------------------|-----|---------|
| 41 | 90119-06M88-00 | BOLT, WITH WASHER | 3 | |
| 42 | 68F-83579-00-00 | COVER, METER 2 | 1 | |
| 43 | 90111-06144-00 | BOLT, HEX. SOCKET BUTTON | 4 | |
| 44 | 68F-8366P-00-00 | BRACKET 4 | 2 | |