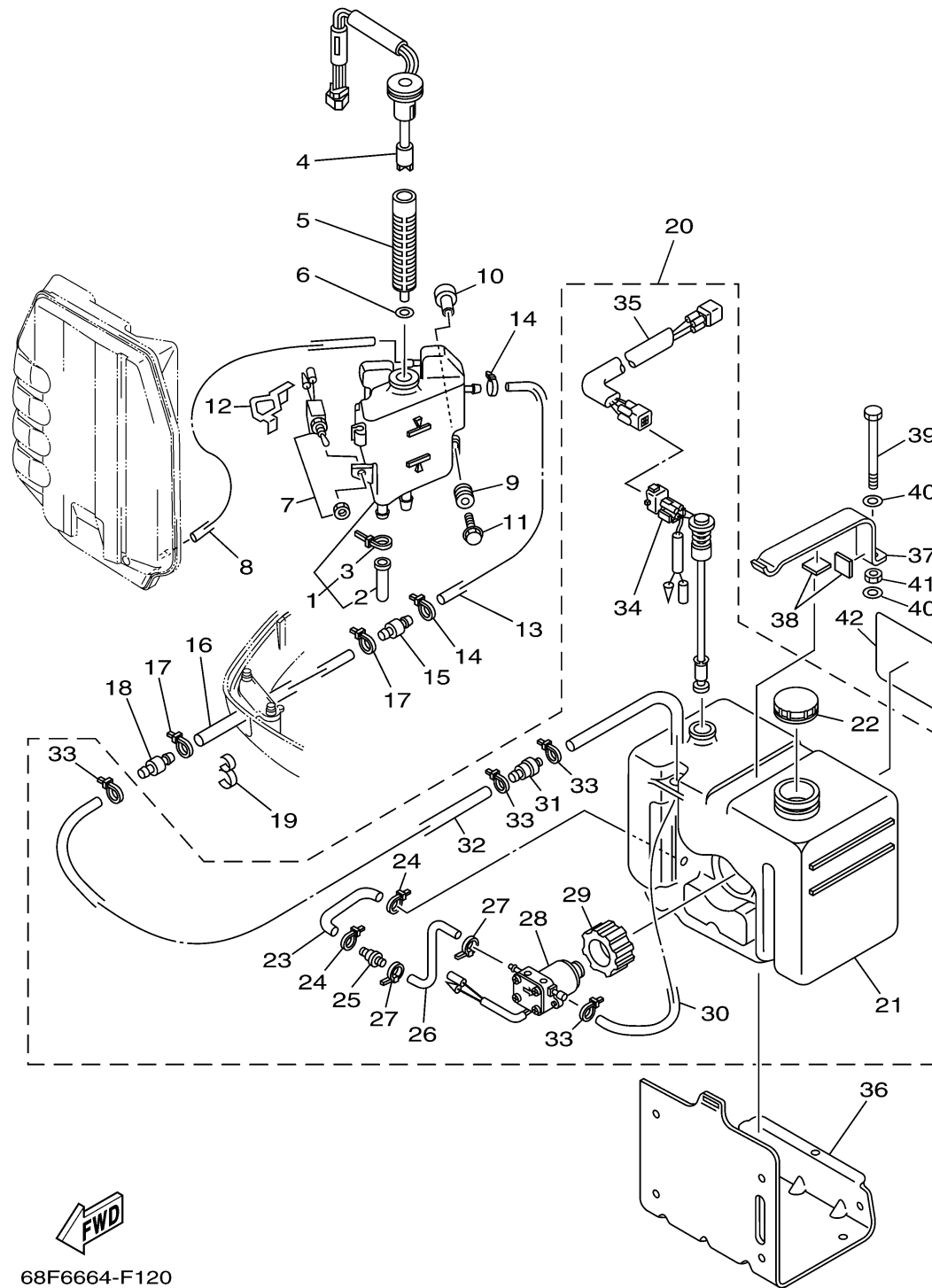


OIL TANK

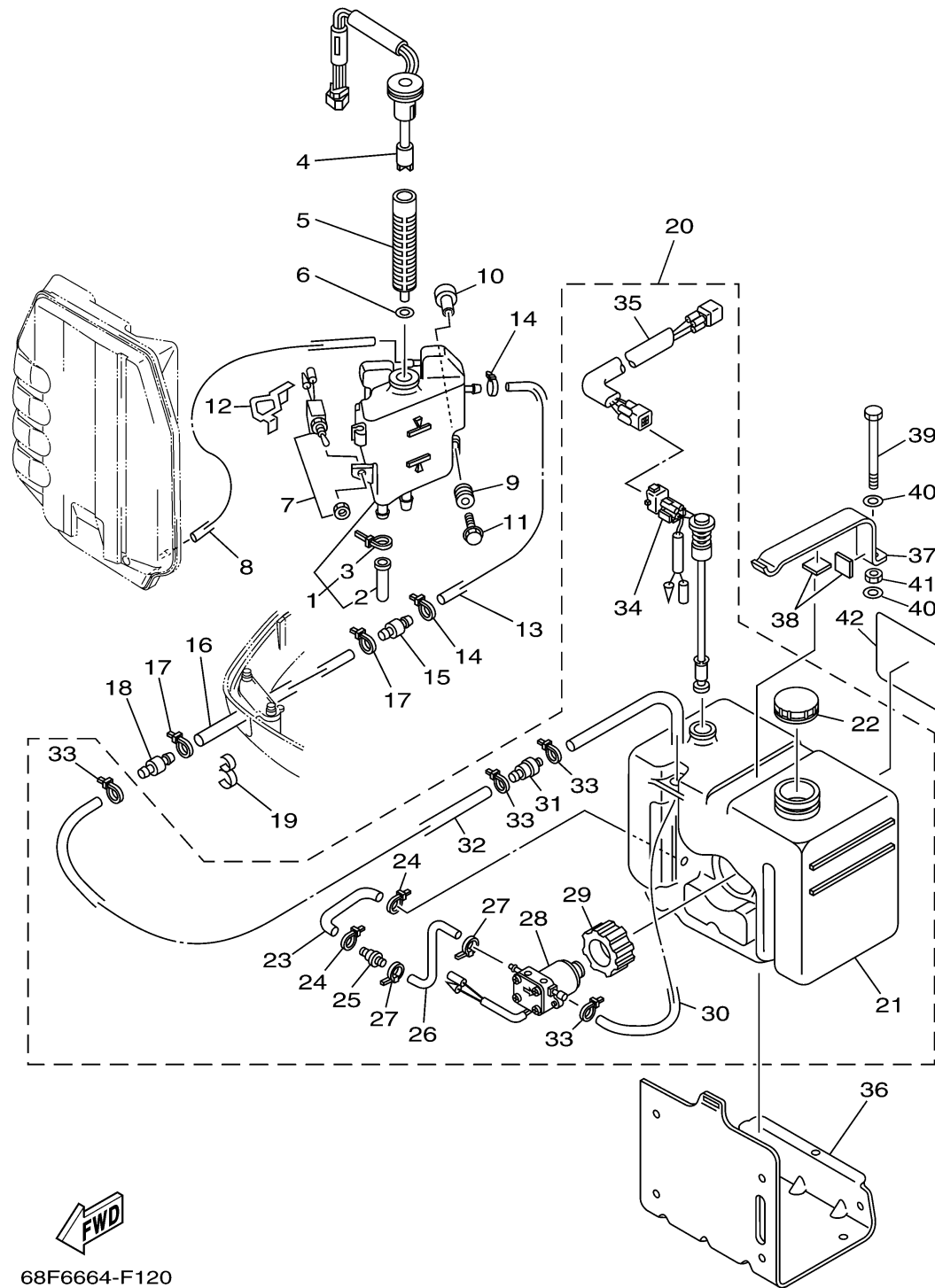



68F6664-F120

Ref No.	Part Number	Description	Qty	Remarks
1	68F-21750-00-00	OIL TANK ASSY	1	
2	6E5-13448-00-00	.CAP	1	
3	90465-13M11-00	.CLAMP	1	
4	67H-85730-02-00	OIL LEVEL GAUGE ASSY	1	
5	6E5-13411-00-00	STRAINER, OIL	1	
6	6E5-13414-00-00	GASKET, STRAINER COVER	1	
7	6R3-8259E-00-00	SWITCH ASSY	1	
8	90445-07M43-00	HOSE (L600)	1	
9	6A0-82317-00-00	DAMPER, IGNITION COIL	3	
10	90387-06M91-00	COLLAR	3	
11	90119-06M65-00	BOLT, WITH WASHER	3	
12	68F-2174E-00-00	STAY, SIDE COVER 2	1	
13	6E5-24323-00-00	PIPE 12	1	
14	90465-11M10-00	CLAMP	2	
15	6E5-24379-00-00	.PIPE, JOINT 4	1	
16	90445-12207-00	HOSE (L2400)	1	
17	90465-11M10-00	CLAMP	2	
18	6E5-24379-00-00	.PIPE, JOINT 4	1	
19	90464-13M34-00	CLAMP	1	
20	61A-21708-20-00	SUB OIL TANK ASSY	1	AP

CONTINUED ON NEXT FRAME >

OIL TANK



Ref No.	Part Number	Description	Qty	Remarks
21	6E5-21733-20-00	. .SUB TANK, OIL (10.5L)	1	
22	6E5-21770-03-00	. .OIL TANK CAP ASSY	1	
23	6E5-24322-00-00	. .PIPE 11	1	
24	90465-11M10-00	. .CLAMP	2	
25	646-24251-02-00	. .STRAINER 1	1	
26	6E5-24319-01-00	. .PIPE, OIL	1	
27	90465-11M10-00	. .CLAMP	2	
28	6E5-81900-01-00	. .OIL FEED PUMP ASSY	1	
29	6E5-81922-00-00	. .GROMMET	1	
30	6E5-24321-01-00	. .PIPE 10	1	
31	6E5-24379-00-00	. .PIPE, JOINT 4	1	
32	90445-11M26-00	. .HOSE (L6500)	1	
33	90465-11M10-00	. .CLAMP	4	
34	6E5-85720-06-00	. .OIL LEVEL GAUGE ASSY	1	
35	6R3-85721-80-00	. .WIRE, LEAD (L=8.0M)	1	(4P)
36	6E5-21734-01-33	HOLDER, OIL SUB TANK	1	AP
37	6E5-21798-01-33	BRACKET, DAMPER	1	AP
38	6E5-21746-00-00	DAMPER	2	AP
39	97080-06100-00	BOLT	1	AP
40	92990-06600-00	WASHER, PLATE	2	AP

CONTINUED ON NEXT FRAME >

 68F664-F120

OIL TANK

Ref No.	Part Number	Description	Qty	Remarks
41	95380-06600-00	NUT, HEXAGON	1	AP
42	60H-13437-A0-00	MARK, CAUTION	1	AP

