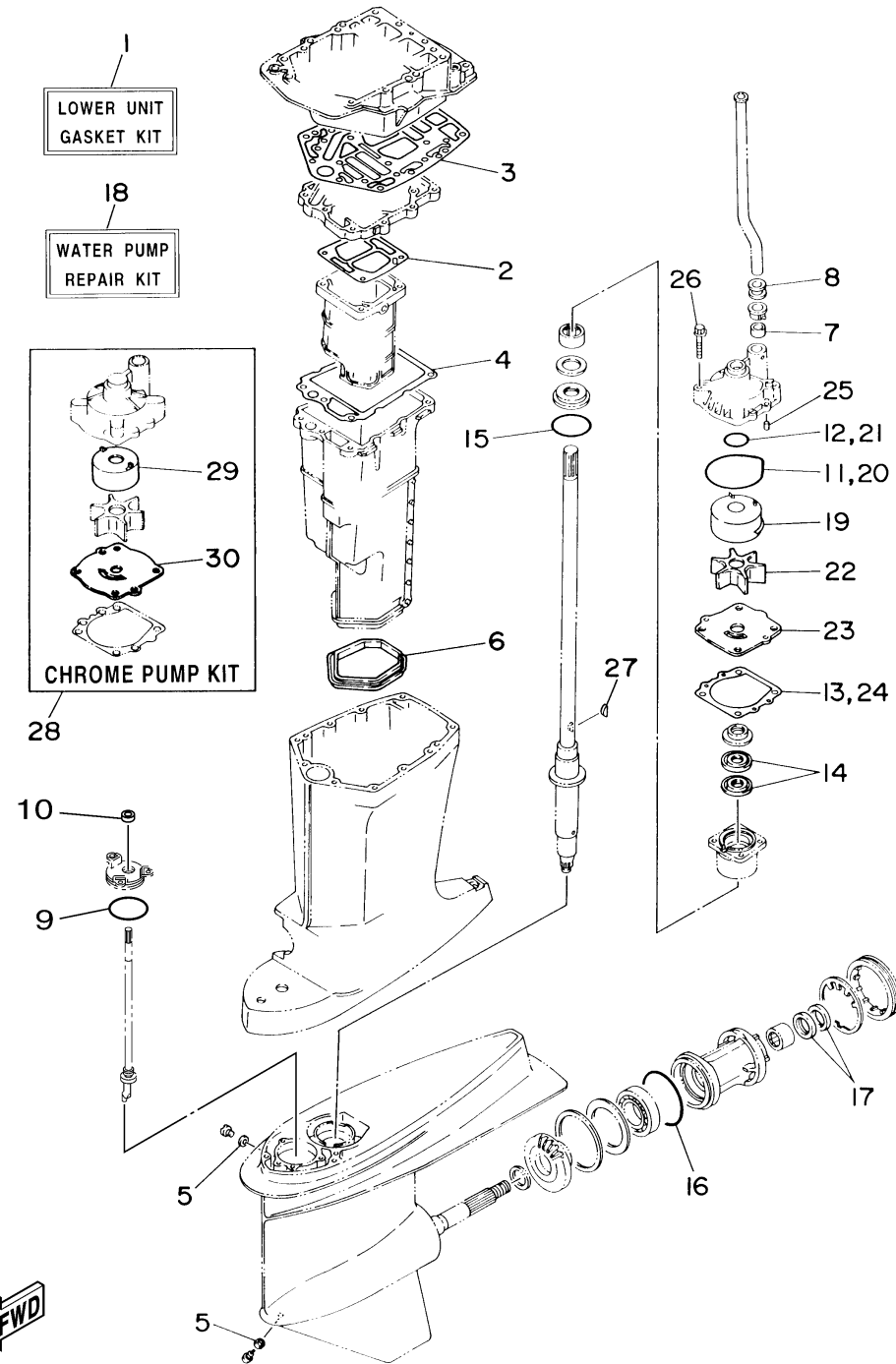


REPAIR KIT 2

Ref No.	Part Number	Description	Qty	Remarks
1	6G5-W0001-C1-00	LOWER UNIT GASKET KIT	1	
2	6G5-41134-A1-00	..GASKET, EXHAUST MANIFOLD	1	
3	6G5-45114-A1-00	..GASKET, UPPER CASING	1	
4	6E5-41135-A0-00	..GASKET, EXHAUST MANIFOLD	1	
5	90430-08020-00	..GASKET	2	
6	6E5-45123-00-00	..GASKET, MUFFLER	1	
7	6E5-44365-00-00	..DAMPER, WATER SEAL 1	1	
8	6E5-44366-00-00	..DAMPER, WATER SEAL 2	1	
9	93210-58144-00	..O-RING	1	
10	93106-09014-00	..OIL SEAL	1	
11	93210-86M38-00	..O-RING	1	
12	93210-37160-00	..O-RING	1	
13	6E5-44315-A0-00	..GASKET, WATER PUMP	1	
14	93101-28M16-00	..OIL SEAL	2	
15	93210-55M14-00	..O-RING	1	
16	93210-97M55-00	..O-RING	1	
17	93101-30M17-00	..OIL SEAL	2	
18	61A-W0078-A3-00	WATER PUMP REPAIR KIT	1	
19	61A-44322-02-00	..INSERT, CARTRIDGE	1	
20	93210-86M38-00	..O-RING	1	

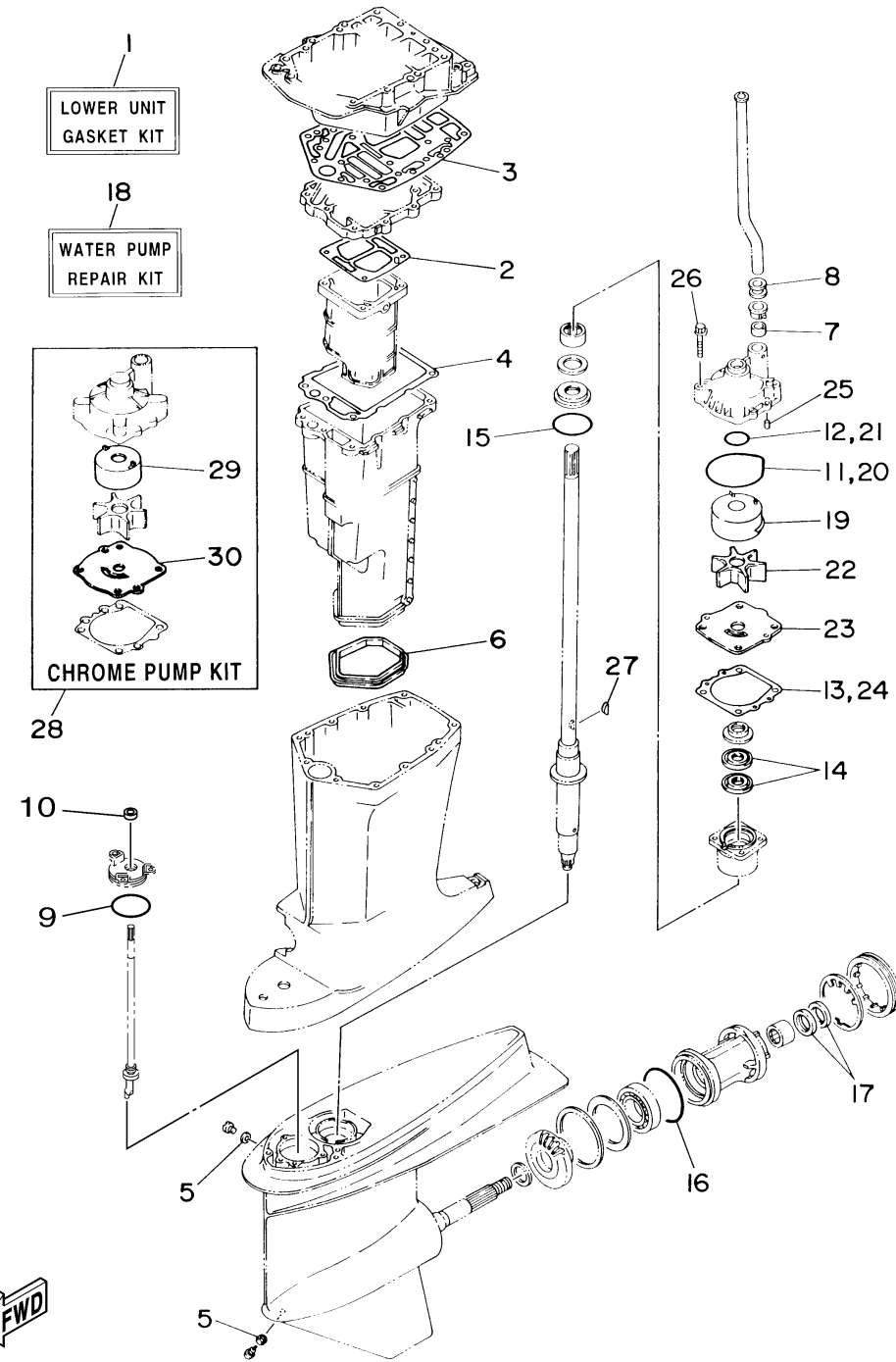
CONTINUED ON NEXT FRAME >



68JH110-L300

REPAIR KIT 2

Ref No.	Part Number	Description	Qty	Remarks
21	93210-37160-00	. O-RING	1	
22	6E5-44352-01-00	. .IMPELLER	1	
23	6G5-44323-01-00	. .OUTER PLATE, CARTRIDGE	1	
24	6E5-44315-A0-00	. .GASKET, WATER PUMP	1	
25	93606-12019-00	. PIN, DOWEL	2	
26	90119-08M14-00	. BOLT, WITH WASHER	4	
27	90280-04M05-00	. .KEY, WOODRUFF	1	
28	61A-W0078-2A-00	CHROME PUMP KIT	1	
29	6R3-44322-42-00	. .INSERT, CARTRIDGE	1	
30	6G5-44323-41-00	. .OUTER PLATE, CARTRIDGE	1	



68JH110-L300