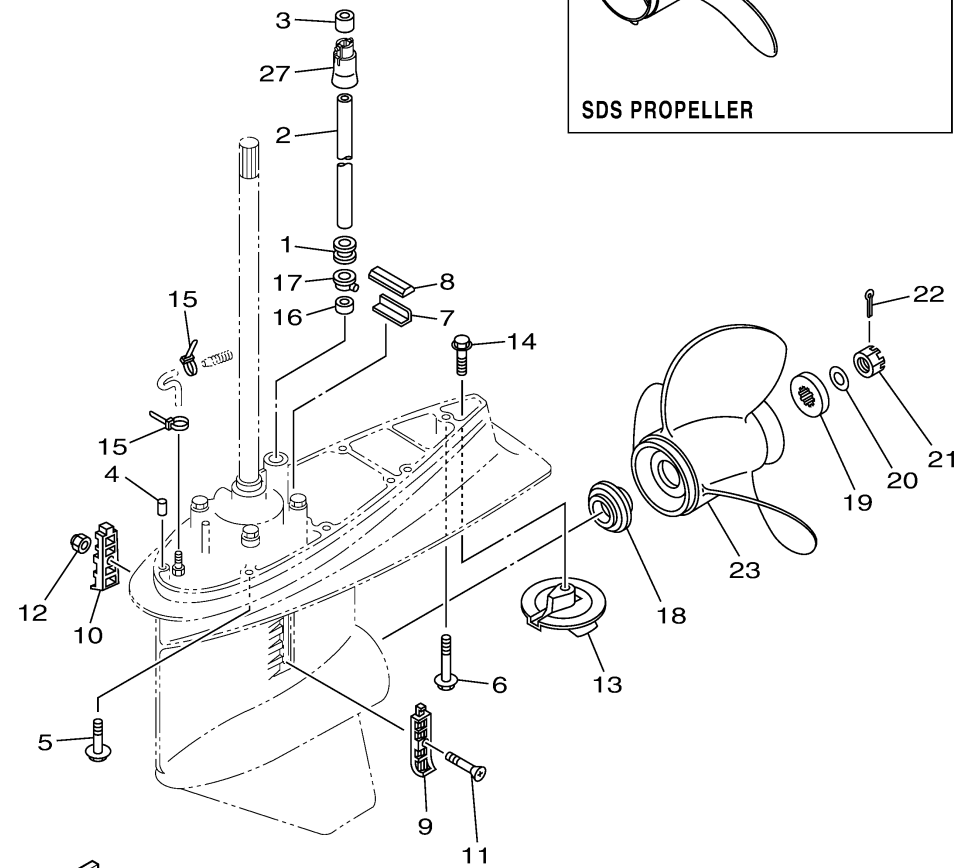
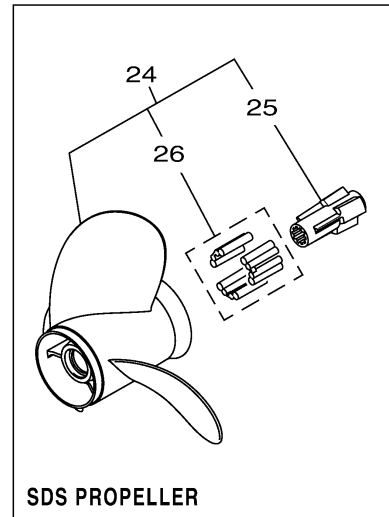


REGULAR ROTATION



6EK1100N3202

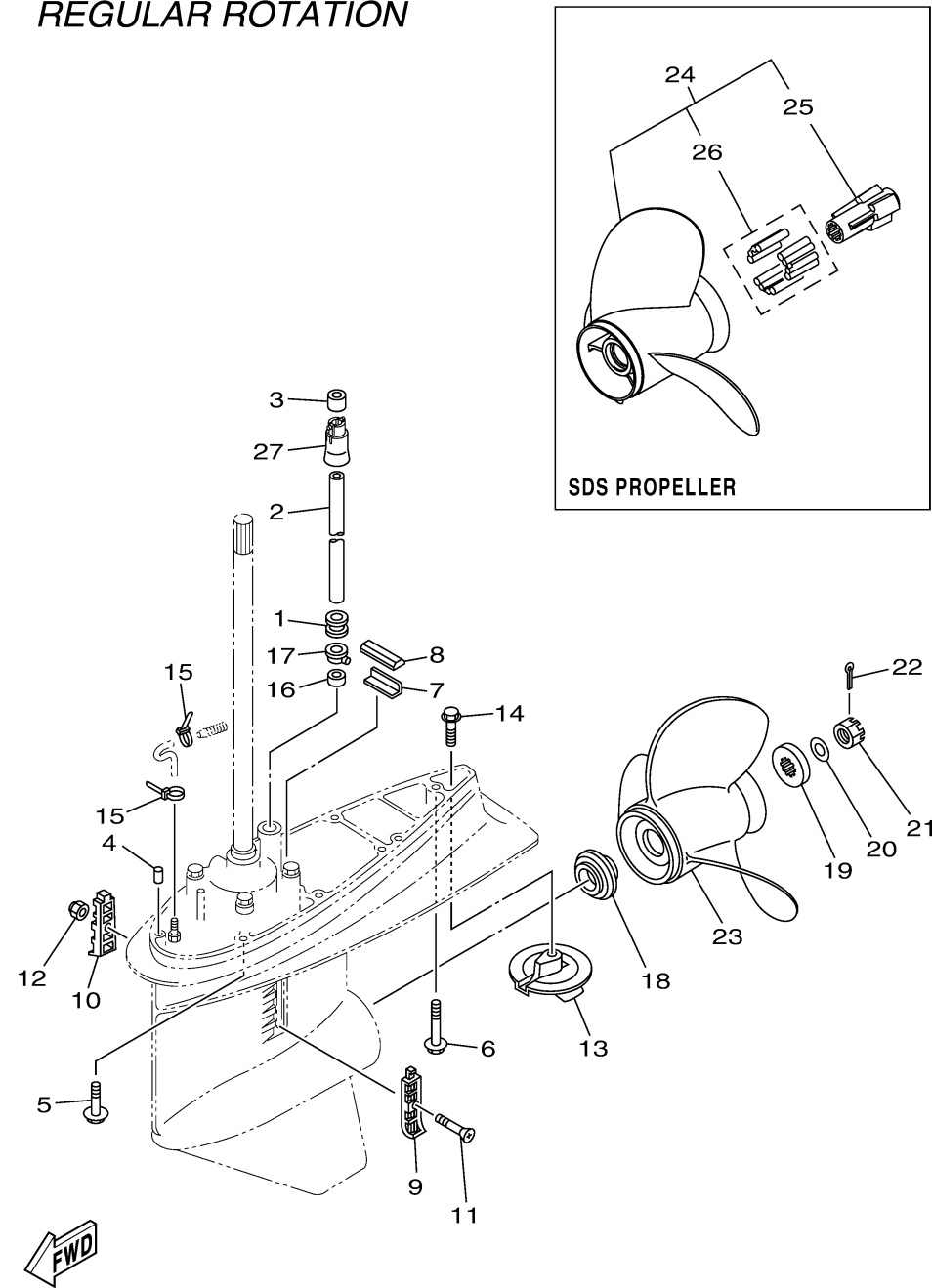
\*: FROM REF.NO.2, REF.NO.4 TO REF.NO.26  
EXCEPT FOR JET DRIVE(F115JB)

## LOWER CASING DRIVE 2

Ref No.	Part Number	Description	Qty	Remarks
1	6E5-44366-00-00	.DAMPER, WATER SEAL 2	1	
2	90440-16002-00	PIPE (L294)	0	X(25.3")
2	90440-16001-00	PIPE (L167)	1	L(20.3")
3	6EK-44365-01-00	DAMPER, WATER SEAL 1	1	
4	93608-12M05-00	PIN, DOWEL	2	
5	97575-10545-00	BOLT, WITH WASHER	6	
6	90119-10M89-00	BOLT, WITH WASHER	1	
7	663-45376-00-00	GUIDE, SEAL DAMPER	1	
8	688-45375-00-00	DAMPER, SEAL	1	
9	688-45214-02-00	COVER, WATER INLET 1	1	
10	688-45215-02-00	COVER, WATER INLET 2	1	
11	90152-05M07-00	SCREW, COUNTERSUNK	1	
12	90185-05002-00	NUT, NYLON	1	
13	6E5-45371-01-00	TAB-TRIM	1	
14	90105-10M00-00	BOLT, FLANGE	1	
15	90465-11M10-00	CLAMP	2	
16	6E5-44365-00-00	.DAMPER, WATER SEAL 1	1	
17	6E5-44312-00-00	COVER, WATER PUMP HOUSING	1	
18	63P-45987-00-00	SPACER 1	1	
19	688-45997-01-00	SPACER 2	1	

CONTINUED ON NEXT FRAME >

REGULAR ROTATION



6EK1100N3202

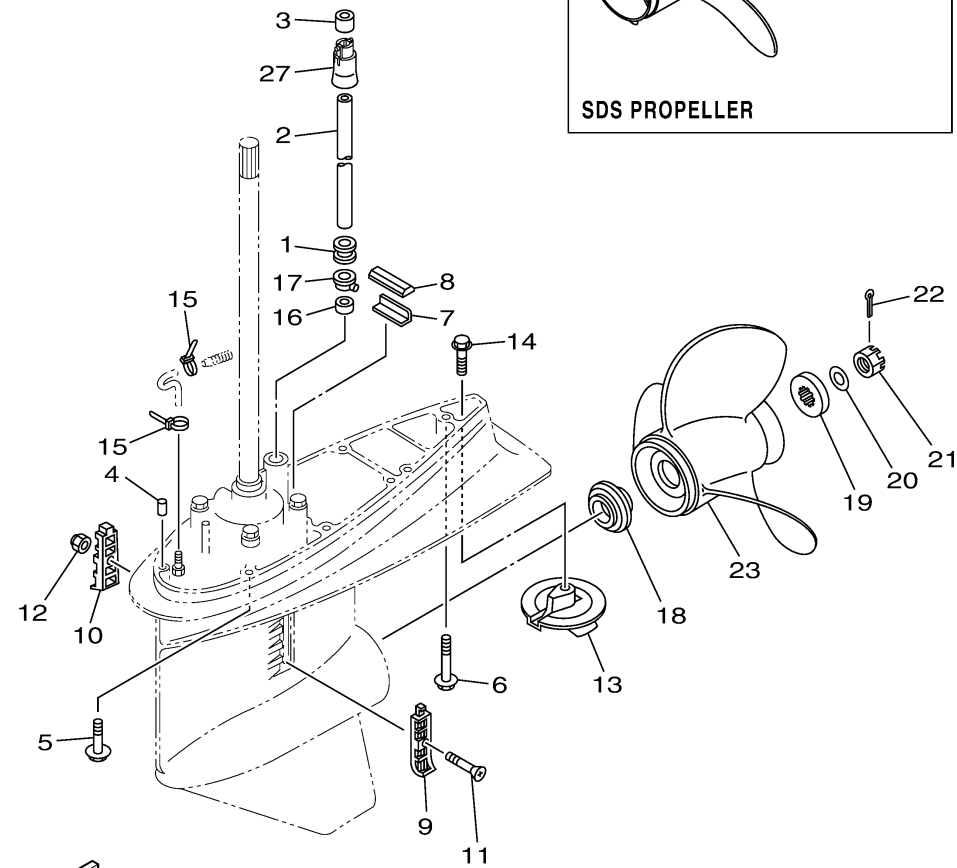
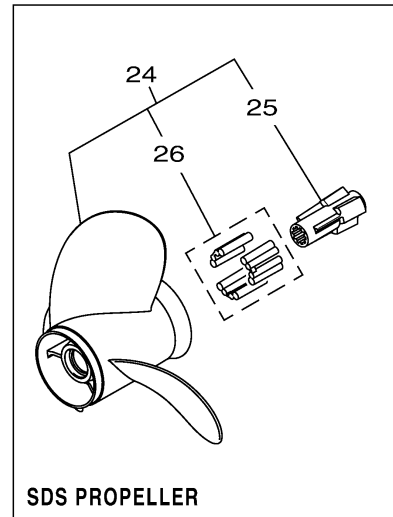
\*: FROM REF.NO.2, REF.NO.4 TO REF.NO.26  
EXCEPT FOR JET DRIVE(F115JB)

## LOWER CASING DRIVE 2

Ref No.	Part Number	Description	Qty	Remarks
20	92990-18200-00	WASHER	1	
21	90171-18M04-00	NUT, CASTLE	1	
22	91490-40030-00	PIN. COTTER	1	
23	6E5-45956-00-00	PROPELLER (3X13"X25"-K)	1	UR NORMAL PROP.
23	6E5-45958-00-00	PROPELLER (3X13-5/8"X14"-K)	1	UR NORMAL PROP.
23	688-45970-03-00	PROPELLER (3X13"X19"-K)	1	UR NORMAL PROP.
23	688-45972-02-00	PROPELLER (3X13"X21"-K)	1	UR NORMAL PROP.
23	688-45974-02-00	PROPELLER (3X13"X23"-K)	1	UR NORMAL PROP.
23	688-45976-01-00	PROPELLER (3X13"X25"-K)	1	UR NORMAL PROP.
23	688-45978-60-00	PROPELLER (3X13-1/2"X16"-K)	1	UR NORMAL PROP.
23	688-45930-02-00	PROPELLER (3X13"X17"-K2)	1	UR NORMAL PROP.
23	688-45932-60-00	PROPELLER (3X13-1/2"X14"-K)	1	UR NORMAL PROP.
23	6E5-45952-00-00	PROPELLER (3X13"X23"-K)	1	UR NORMAL PROP.
23	6E5-45949-00-00	PROPELLER (3X13-5/8"X13"-K)	1	UR NORMAL PROP.
23	6E5-45947-00-00	PROPELLER (3X13-1/2"X15"-K)	1	UR NORMAL PROP.
23	6E5-45941-00-00	PROPELLER (3X13"X19"-K)	1	UR NORMAL PROP.
23	6E5-45943-00-00	PROPELLER (3X12-5/8"X21"-K)	1	UR NORMAL PROP.
23	6E5-45945-01-00	PROPELLER (3X13-1/4"X17"-K)	1	UR NORMAL PROP.
23	6E5-45954-00-00	PROPELLER (3X14"X11"-K)	1	UR NORMAL PROP.
24	6EK-45941-00-00	PROPELLER (3X13-1/2"X9"-K)	1	UR SDS PROP.

CONTINUED ON NEXT FRAME >

REGULAR ROTATION



6EK1100N3202

\*: FROM REF.NO.2, REF.NO.4 TO REF.NO.26  
EXCEPT FOR JET DRIVE(F115JB)

## LOWER CASING DRIVE 2

Ref No.	Part Number	Description	Qty	Remarks
24	6EK-45949-00-00	PROPELLER (3X13-1/2"X16"-K)	1	UR SDS PROP.
24	6EK-45947-00-00	PROPELLER (3X13-1/2"X14"-K)	1	UR SDS PROP.
24	6EK-45945-00-00	PROPELLER (3X13-1/2"X12"-K)	1	UR SDS PROP.
24	6EK-45943-00-00	PROPELLER (3X13-1/2"X10-1/2"-K)	1	UR SDS PROP.
25	6EK-45982-00-00	. BUSH, PROPELLER	1	
26	6EK-45C82-09-00	. DAMPER RUBBER, PROPELLER 2	1	
27	6EK-44379-00-00	GUIDE, WATER TUBE	1	