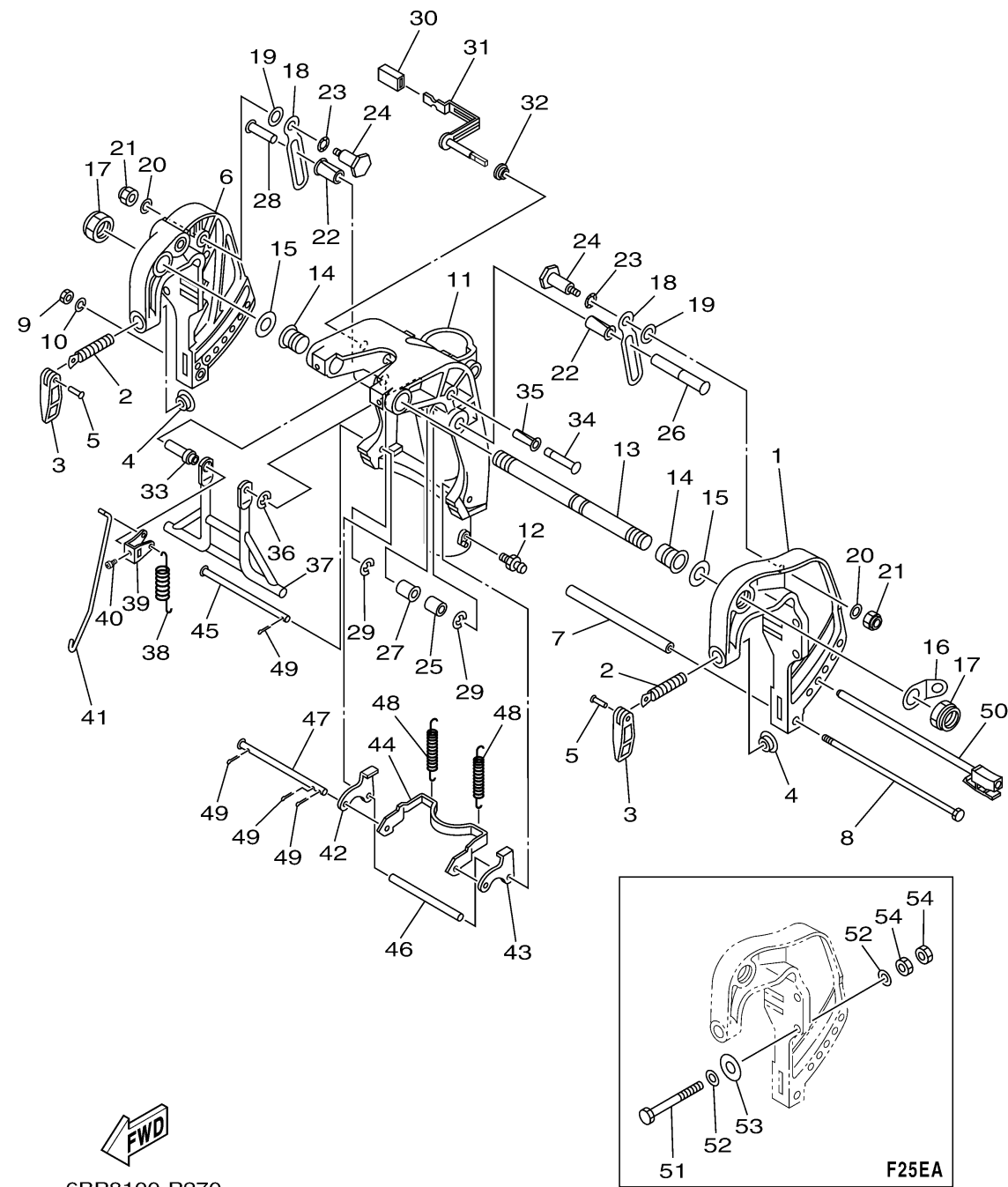


6BP8100-P270

BRACKET 2

| Ref No. | Part Number | Description | Qty | Remarks |
|---------|-----------------|-----------------------|-----|----------|
| 1 | 66T-43111-01-4D | BRACKET, CLAMP 1 | 0 | |
| 2 | 90149-14M12-00 | SCREW | 0 | |
| 3 | 663-43118-01-4D | HANDLE, TRANSOM CLAMP | 0 | |
| 4 | 648-43114-01-00 | PAD, TRANSOM CLAMP | 0 | |
| 5 | 90243-04007-00 | PIN | 0 | |
| 6 | 66T-43112-01-4D | BRACKET, CLAMP 2 | 0 | |
| 7 | 90387-10108-00 | COLLAR | 0 | |
| 8 | 90101-08M76-00 | BOLT | 0 | |
| 9 | 95380-08600-00 | NUT | 0 | |
| 10 | 92990-08100-00 | WASHER, SPRING | 0 | |
| 11 | 65W-43311-10-4D | BRACKET, SWIVEL 1 | 0 | L(21.6") |
| 11 | 65W-43311-00-4D | BRACKET, SWIVEL 1 | 0 | S(16.6") |
| 12 | 93700-06M03-00 | NIPPLE, GREASE | 0 | |
| 12 | 93700-06M03-00 | NIPPLE, GREASE | 0 | |
| 13 | 63D-43131-01-00 | BOLT, CLAMP BRACKET | 0 | |
| 14 | 90386-22M15-00 | BUSH | 0 | |
| 15 | 90201-22M03-00 | WASHER, PLATE | 0 | |
| 16 | 6J8-43113-01-00 | PLATE, CLAMP BRACKET | 0 | |
| 17 | 90185-22043-00 | NUT, SELF-LOCKING | 0 | |
| 18 | 66T-43627-00-00 | STOPPER | 0 | |

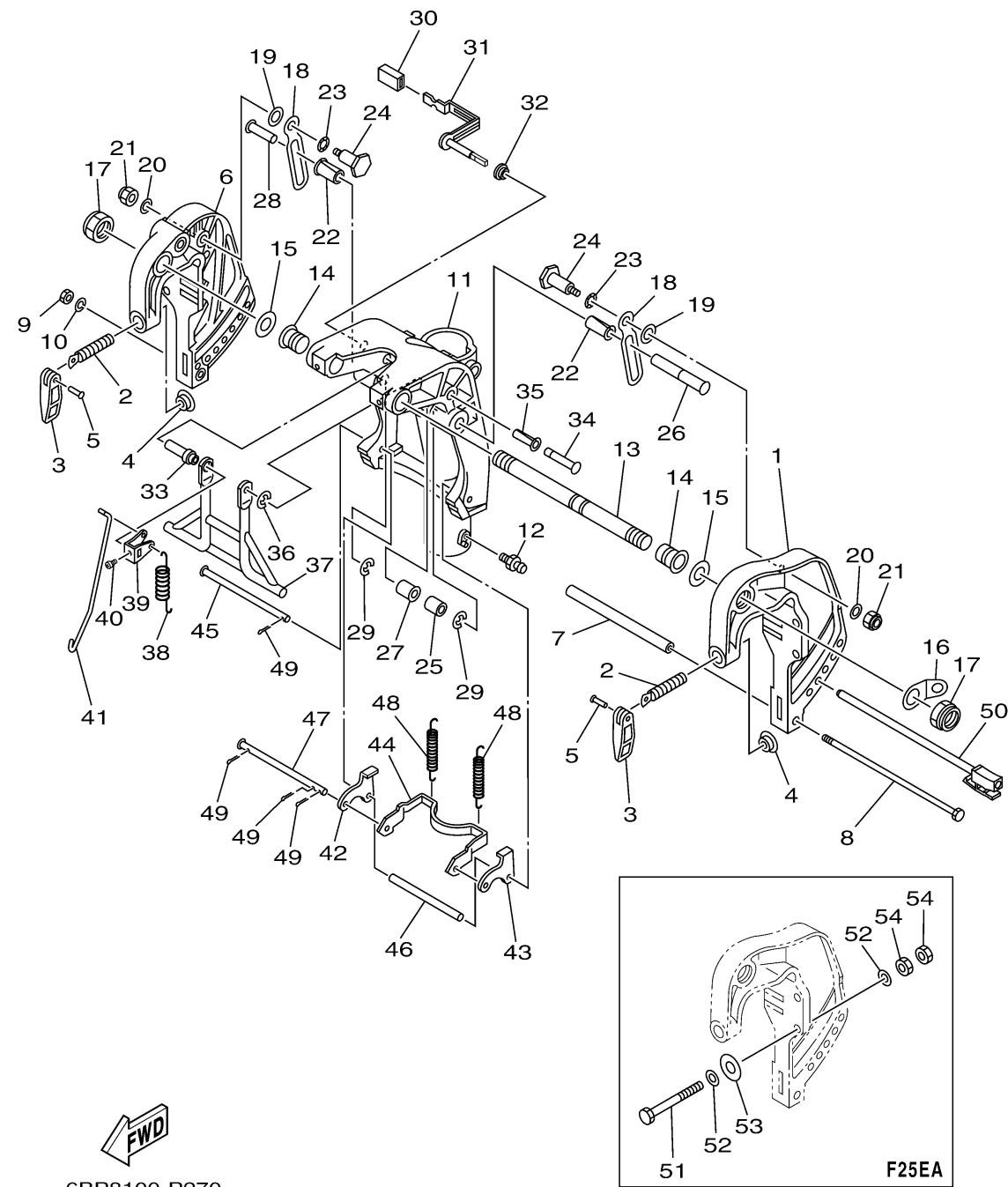
CONTINUED ON NEXT FRAME >



BRACKET 2

| Ref No. | Part Number | Description | Qty | Remarks |
|---------|-----------------|-------------------|-----|---------|
| 19 | 90202-12031-00 | WASHER, PLATE | 0 | |
| 20 | 90201-08M07-00 | WASHER, PLATE | 0 | |
| 21 | 90185-08057-00 | NUT, SELF-LOCKING | 0 | |
| 22 | 90386-12M98-00 | BUSH | 0 | |
| 23 | 90206-12M00-00 | WASHER, WAVE | 0 | |
| 24 | 90109-08M90-00 | BOLT | 0 | |
| 25 | 90387-12M04-00 | COLLAR | 0 | |
| 26 | 90249-12M39-00 | PIN | 0 | |
| 27 | 90386-12MA0-00 | BUSH | 0 | |
| 28 | 90249-12M34-00 | PIN | 0 | |
| 29 | 99080-10600-00 | CIRCLIP | 0 | |
| 30 | 682-43318-01-00 | COVER | 0 | |
| 31 | 65W-43630-11-00 | TILT LEVER ASSY | 0 | |
| 32 | 90386-07MA2-00 | BUSH | 0 | |
| 33 | 90387-07M05-00 | COLLAR | 0 | |
| 34 | 90249-10M31-00 | PIN | 0 | |
| 35 | 90386-10M99-00 | BUSH | 0 | |
| 36 | 99080-08600-00 | CIRCLIP | 0 | |
| 37 | 66T-43350-02-00 | RECEIVER ASSY | 0 | |
| 38 | 90506-20M37-00 | SPRING, TENSION | 0 | |

CONTINUED ON NEXT FRAME >



BRACKET 2

| Ref No. | Part Number | Description | Qty | Remarks |
|---------|-----------------|------------------|-----|---------|
| 39 | 66T-43631-11-00 | LEVER, TILT | 0 | |
| 40 | 90157-05014-00 | SCREW, PAN HEAD | 0 | |
| 41 | 65W-43616-00-00 | ROD, TILT LOCK | 0 | |
| 42 | 65W-43614-01-00 | PLATE, TILT LOCK | 0 | |
| 43 | 65W-43615-01-00 | PLATE, TILT LOCK | 0 | |
| 44 | 65W-43613-00-00 | ARM, TILT LOCK | 0 | |
| 45 | 90249-07M32-00 | PIN | 0 | |
| 46 | 90387-07M29-00 | COLLAR | 0 | |
| 47 | 90249-07M33-00 | PIN | 0 | |
| 48 | 90506-30M00-00 | SPRING, TENSION | 0 | |
| 49 | 91490-20012-00 | PIN. COTTER | 0 | |
| 50 | 65W-43160-00-00 | TILT ROD ASSY | 0 | |
| 51 | 90101-10M58-00 | BOLT | 0 | |
| 52 | 92995-10600-00 | WASHER | 0 | |
| 53 | 90201-12426-00 | WASHER, PLATE | 0 | |
| 54 | 95380-10600-00 | NUT | 0 | |