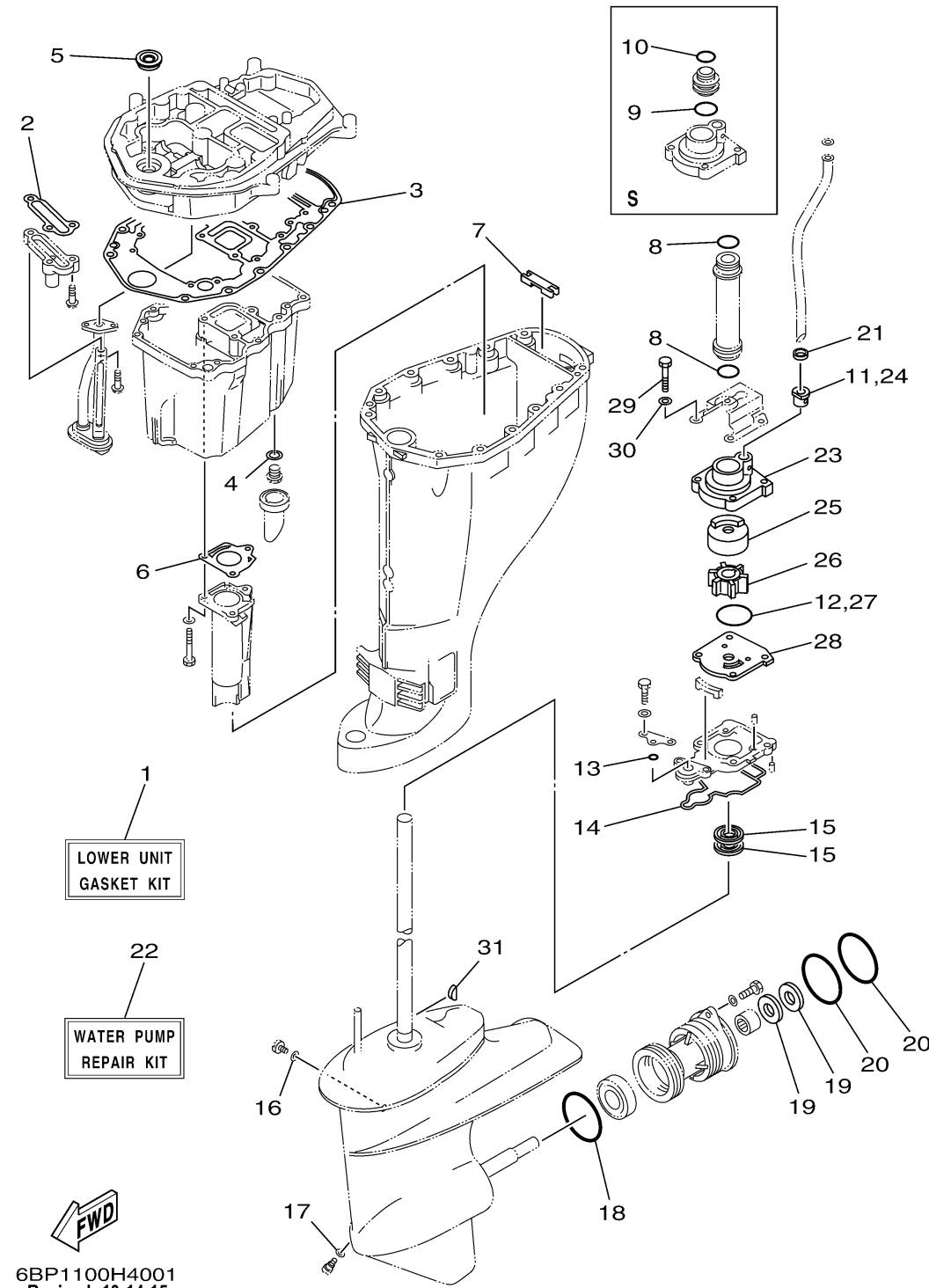


REPAIR KIT 3



Ref No.	Part Number	Description	Qty	Remarks
1	65W-W0001-23-00	LOWER UNIT GASKET KIT	1	
1	65W-W0001-24-00	LOWER UNIT GASKET KIT	1	UR 6BPK:1034462-
2	62Y-13475-00-00	..GASKET	1	
3	69W-15312-00-00	..GASKET, OIL PAN	1	
4	90430-14M09-00	..GASKET	1	
5	93110-16004-00	..OIL SEAL	1	
5	93103-16011-00	OIL SEAL	1	UR 6BPK:1034462-
6	67C-41133-00-00	..GASKET, EXHAUST MANIFOLD 1	1	
7	65W-45128-00-00	..SEAL 2	1	
8	93210-26130-00	..O-RING	2	L(21.6")
9	93210-26130-00	..O-RING	1	S(16.6")
10	93210-22164-00	..O-RING	1	S(16.6")
11	6L2-44367-00-00	..DAMPER, WATER SEAL 3	1	
12	93210-45161-00	..O-RING	1	
13	93210-06ME6-00	..O-RING	1	
14	61N-45315-00-00	..PACKING, LOWER CASING	1	
15	93101-22067-00	..OIL SEAL	2	
16	90430-08020-00	..GASKET	1	
17	90430-08020-00	..GASKET	1	
18	93210-64ME7-00	..O-RING	1	

CONTINUED ON NEXT FRAME >

REPAIR KIT 3

Ref No.	Part Number	Description	Qty	Remarks
19	93101-20M07-00	. .OIL SEAL	2	
20	93210-65M50-00	. .O-RING	2	
21	90430-10002-00	. .GASKET	1	
22	61N-W0078-11-00	WATER PUMP REPAIR KIT	1	
23	61N-44311-01-00	. .HOUSING, WATER PUMP	1	
24	6L2-44367-00-00	. .DAMPER, WATER SEAL 3	1	
25	61N-44322-01-00	. .INSERT, CARTRIDGE	1	
26	6H4-44352-02-00	. .IMPELLER	1	
27	93210-45161-00	. .O-RING	1	
28	61N-44323-00-00	. .OUTER PLATE, CARTRIDGE	1	
29	97095-06040-00	. .BOLT	4	
30	92995-06600-00	. .WASHER	4	
31	90280-03024-00	. .KEY, WOODRUFF	1	

