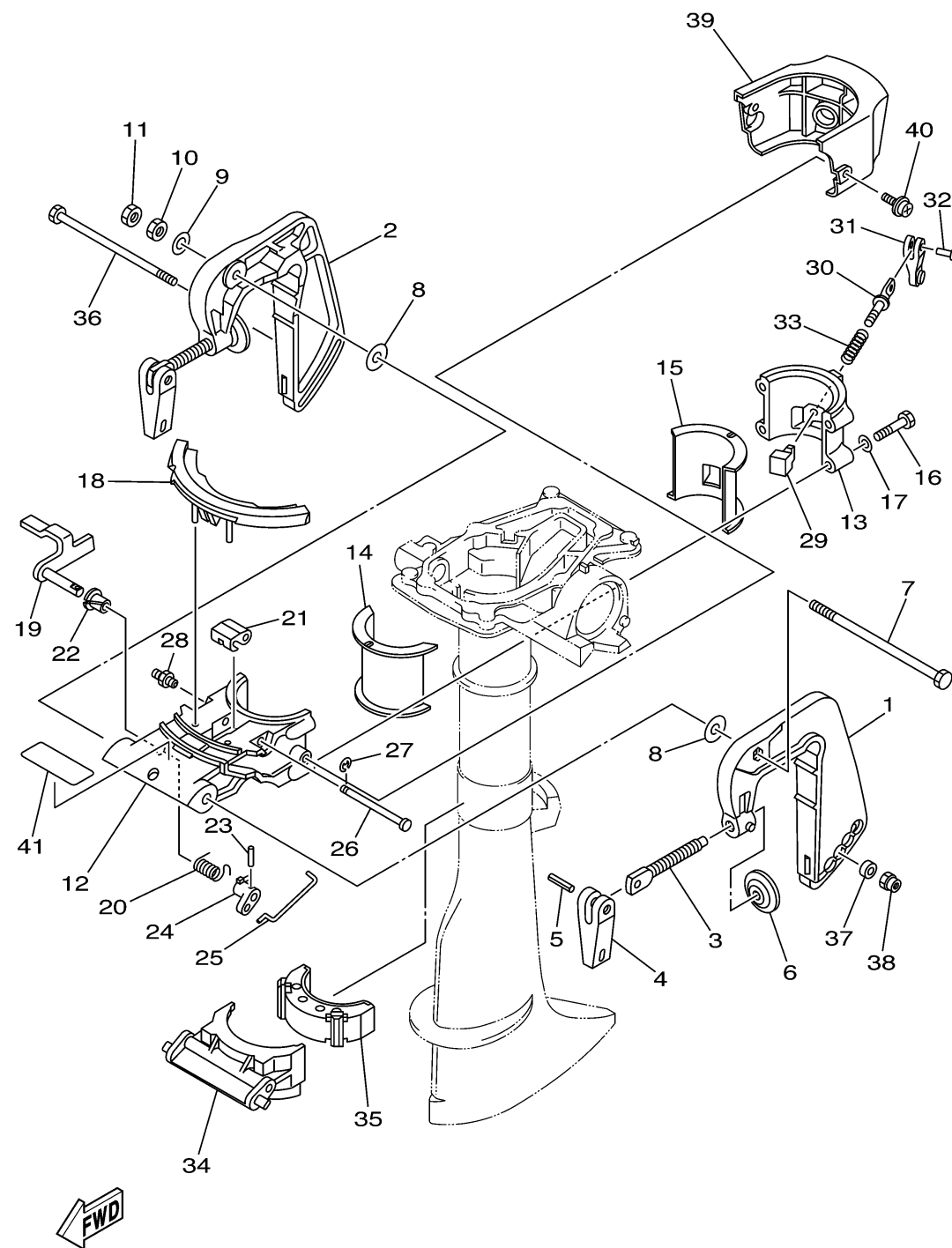


69M1010-3140

# BRACKET

Ref No.	Part Number	Description	Qty	Remarks
1	69M-G3111-00-4D	BRACKET, CLAMP 1	1	
2	69M-G3112-00-4D	BRACKET, CLAMP 2	1	
3	6E0-43116-01-00	SCREW, TRANSOM CLAMP	2	
4	69M-G3118-00-00	HANDLE, TRANSOM CLAMP	2	
5	90243-04M01-00	PIN	2	
6	620-43114-00-00	PAD, TRANSOM CLAMP	2	
7	90101-08M07-00	BOLT	1	
8	90202-08022-00	WASHER, PLATE	2	
9	92990-08200-00	WASHER, PLAIN	1	
10	95380-08600-00	NUT	1	
11	95380-08700-00	NUT	1	
12	69M-G3311-01-4D	BRACKET, SWIVEL 1	1	
13	69M-G3312-00-4D	BRACKET, SWIVEL 2	1	
14	69M-G2537-00-00	BUSHING, PIVOT SHAFT	1	
15	69M-G2538-00-00	BUSHING, PIVOT SHAFT	1	
16	97075-06030-00	BOLT	4	
17	92995-06600-00	WASHER	4	
18	69M-43679-00-00	COVER	1	
19	69M-43180-00-00	TILT STOP LEVER ASSY	1	
20	69M-G3188-00-00	SPRING	1	

CONTINUED ON NEXT FRAME >

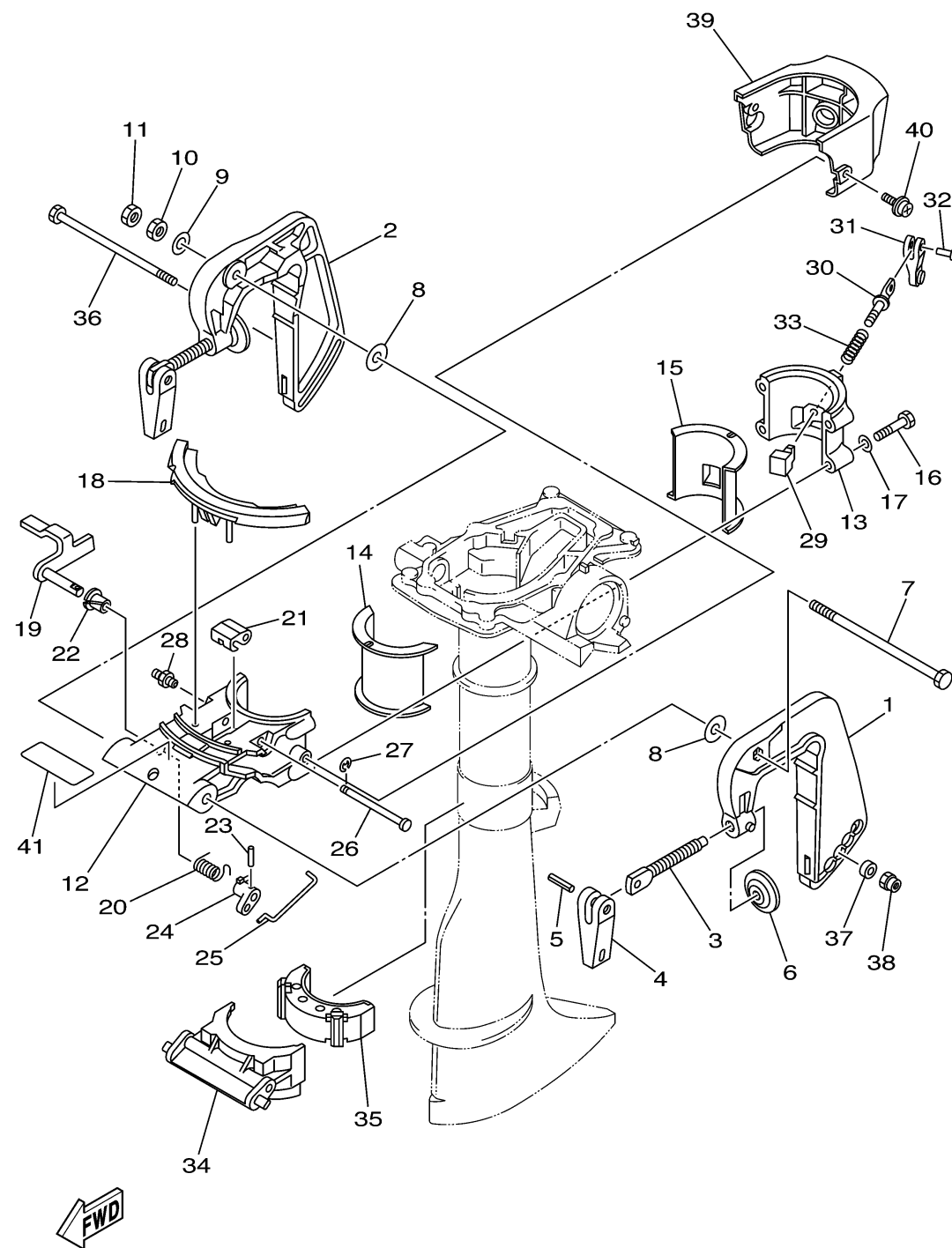


69M1010-3140

## BRACKET

Ref No.	Part Number	Description	Qty	Remarks
21	69M-G3186-00-00	LEVER	1	
22	90386-08032-00	BUSH	1	
23	91690-20010-00	PIN, SPRING	1	
24	69M-G3185-00-00	LEVER, TILT STOP 2	1	
25	69M-G3164-00-00	ROD, TILT LOCK	1	
26	69M-G3166-00-00	PIN	1	
27	99080-04600-00	CIRCLIP	1	
28	93700-06M03-00	NIPPLE, GREASE	1	
29	69M-42528-00-00	PLATE, FRICTION	1	
30	69M-42529-00-00	SCREW, FRICTION PIECE	1	
31	68D-G2561-01-00	KNOB, STEERING LOCK	1	
32	90266-04M05-00	RIVET	1	
33	90501-12803-00	SPRING, COMPRESSION	1	
34	69M-G3351-00-00	RECEIVER, THRUST	1	
35	69M-44557-00-00	MOUNT DAMPER, LOWER FRONT	1	
36	90101-06030-00	BOLT	1	
37	90201-06040-00	WASHER, PLATE	1	
38	95780-06300-00	NUT, FLANGE	1	
39	69M-G3318-00-00	COVER	1	
40	90159-06M11-00	SCREW, WITH WASHER	2	

CONTINUED ON NEXT FRAME >



69M1010-3140

# BRACKET

Ref No.	Part Number	Description	Qty	Remarks
41	69M-G3691-00-00	INDICATOR, TILT	1	