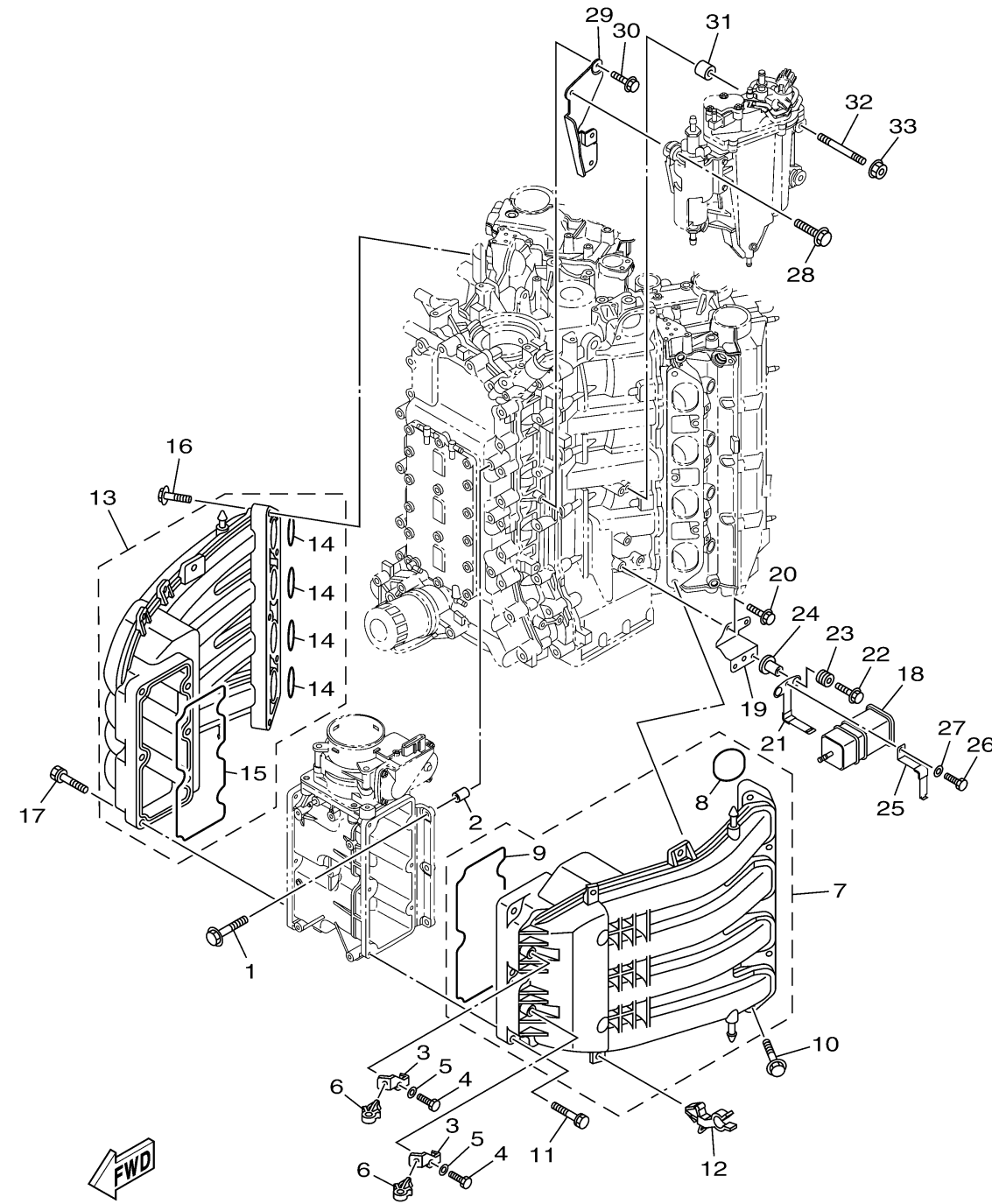


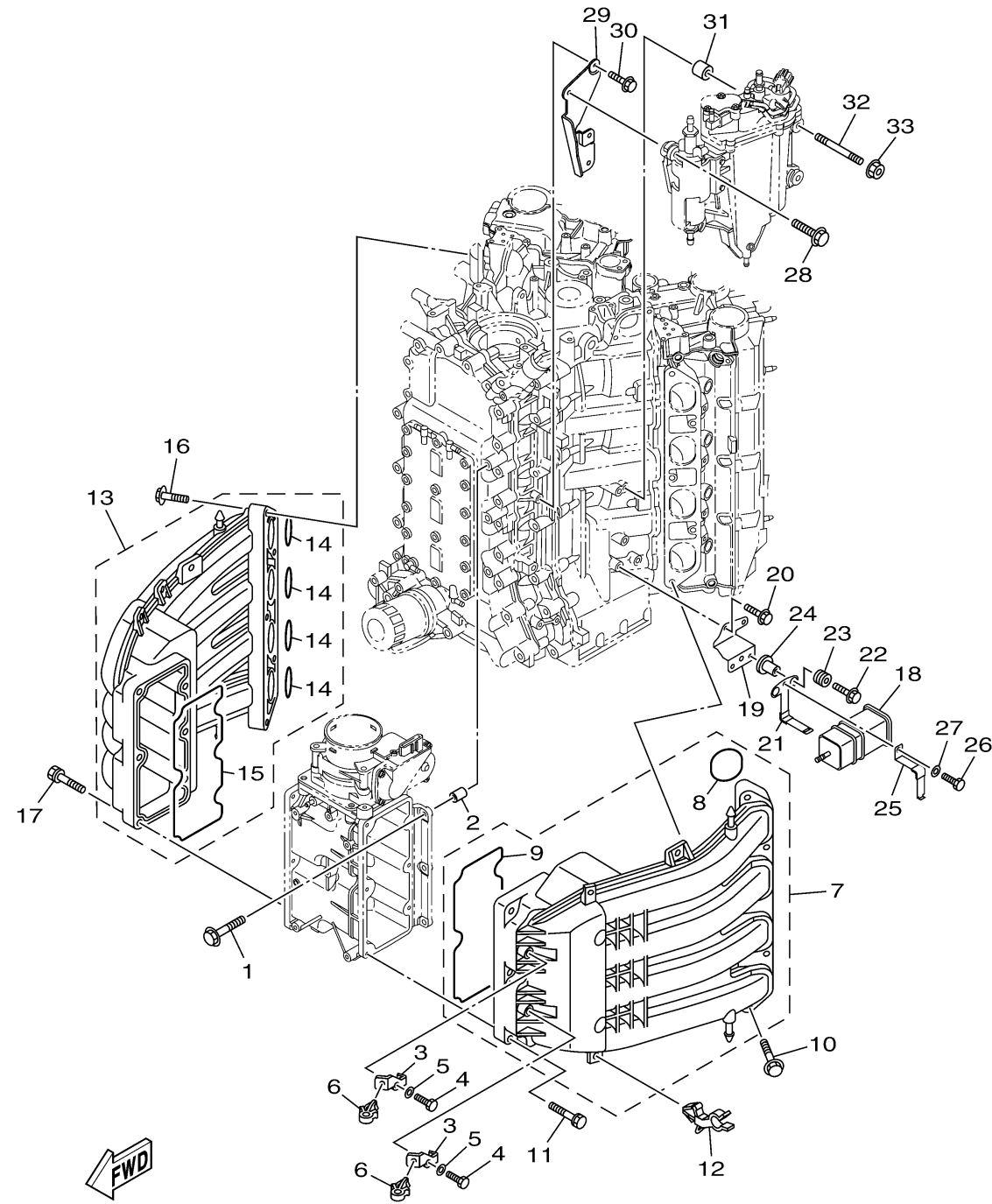
INTAKE 1



6AW7100-M090

Ref No.	Part Number	Description	Qty	Remarks
1	95875-08035-00	BOLT, FLANGE	6	
2	99530-10114-00	PIN, DOWEL	2	
3	6AW-13782-00-00	STAY	2	
4	97095-06012-00	BOLT	2	
5	92995-06600-00	WASHER	2	
6	90464-09023-00	CLAMP	2	
7	6AW-13641-10-00	MANIFOLD, INTAKE 1	1	
8	6AW-13645-00-00	..GASKET, MANIFOLD 1	4	
9	6AW-13646-00-00	..GASKET, MANIFOLD 2	1	
10	90119-08022-00	BOLT, WITH WASHER	5	
11	90119-06MA6-00	BOLT, WITH WASHER	5	
12	90464-17006-00	CLAMP	2	
13	6AW-13641-10-00	MANIFOLD, INTAKE 1	1	
14	6AW-13645-00-00	..GASKET, MANIFOLD 1	4	
15	6AW-13646-00-00	..GASKET, MANIFOLD 2	1	
16	90119-08022-00	BOLT, WITH WASHER	5	
17	90119-06MA6-00	BOLT, WITH WASHER	5	
18	6P2-24170-00-00	CANISTER ASSY	1	
19	6AW-2134X-10-00	BRACKET, CANISTER	1	
20	95895-06016-00	BOLT	2	

CONTINUED ON NEXT FRAME >



6AW7100-M090

INTAKE 1

Ref No.	Part Number	Description	Qty	Remarks
21	69J-2134X-00-00	BRACKET, CANISTER	1	
22	90119-06M17-00	BOLT, WITH WASHER	2	
23	90480-10M23-00	GROMMET	2	
24	90387-06289-00	COLLAR	2	
25	69J-2419A-01-00	HOLDER	1	
26	97095-06016-00	BOLT	1	
27	92995-06600-00	WASHER	1	
28	90119-06M24-00	BOLT, WITH WASHER	2	
29	6AW-24419-00-00	BRKT., SEPARATOR	1	
30	95895-06016-00	BOLT	2	
31	90387-06276-00	COLLAR	2	
32	90116-06046-00	BOLT, STUD	2	
33	90179-06M28-00	NUT	2	