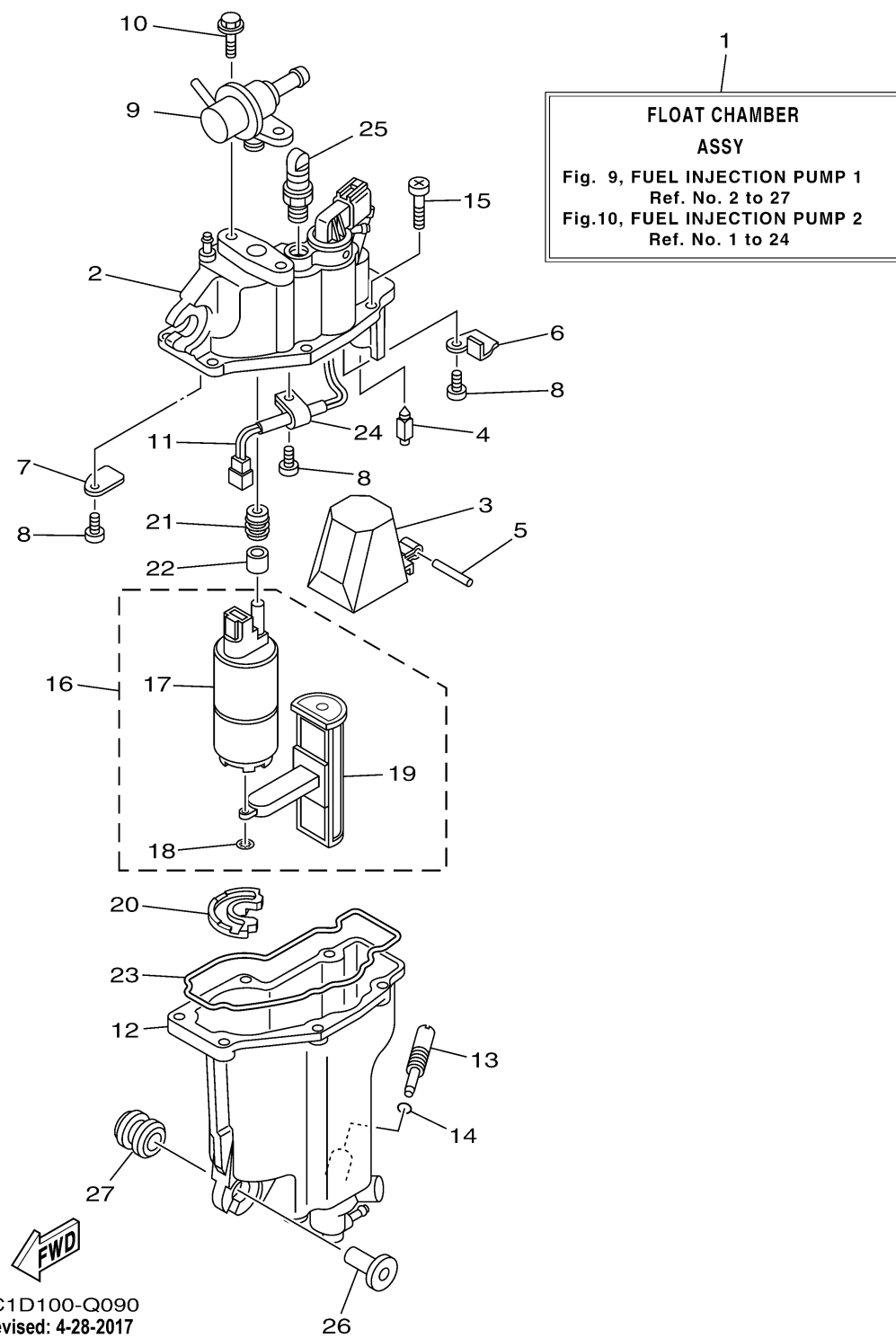


# FUEL INJECTION PUMP 1

Ref No.	Part Number	Description	Qty	Remarks
1	6C5-14180-21-00	FLOAT CHAMBER ASSY	1	
1	6C5-14180-22-00	FLOAT CHAMBER ASSY	1	UR: 6C1-1062840 AND FOLLOWING
2	6C5-14182-20-00	COVER, FLOAT CHAMBER	1	UR: 6C1-1062840 AND FOLLOWING
2	6C5-14182-10-00	COVER, FLOAT CHAMBER	1	
3	6C5-14985-00-00	FLOAT	1	
4	6C5-14546-10-00	VALVE, NEEDLE	1	
5	6C5-14386-00-00	PIN, FLOAT	1	
6	6C5-2441R-10-00	PLATE, BAFFLE 1	1	
7	6C5-2441T-10-00	PLATE, BAFFLE 2	1	
8	6C5-24453-00-00	SCREW	3	
9	6C5-13906-01-00	REGULATOR, PRESSURE	1	
10	6C5-24592-00-00	BOLT	2	
11	6C5-87226-00-00	WIRE HARNESS ASSY	1	
12	6C5-14960-20-00	BODY ASSY	1	UR: 6C1-1062840 AND FOLLOWING
12	6C5-14960-10-00	BODY ASSY	1	
13	6C5-14191-00-00	.PLUG, DRAIN	1	
14	6C5-14397-00-00	O-RING	1	
15	6C5-14567-00-00	SCREW	6	
16	6C5-13910-10-00	FUEL PUMP ASSY	1	
17	6C5-13907-00-00	. .FUEL PUMP COMP.	1	

CONTINUED ON NEXT FRAME >



# FUEL INJECTION PUMP 1

Ref No.	Part Number	Description	Qty	Remarks
18	6C5-14127-10-00	..CLIP	1	
19	6C5-13915-00-00	..FILTER	1	
20	6C5-13593-00-00	DAMPER	1	
21	6C5-13781-00-00	DAMPER, PUMP	1	
22	6C5-13716-00-00	COLLAR	1	
23	6C5-14984-10-00	GASKET, FLOAT CHAMBER	1	UR: 6C1-1062840 AND FOLLOWING
23	6C5-14984-00-00	GASKET, FLOAT CHAMBER	1	
24	6C5-21337-10-00	CLAMP, CABLE	1	
25	6C5-14225-00-00	CAP	1	
26	90387-06M69-00	COLLAR	3	
27	90480-09M12-00	GROMMET	3	