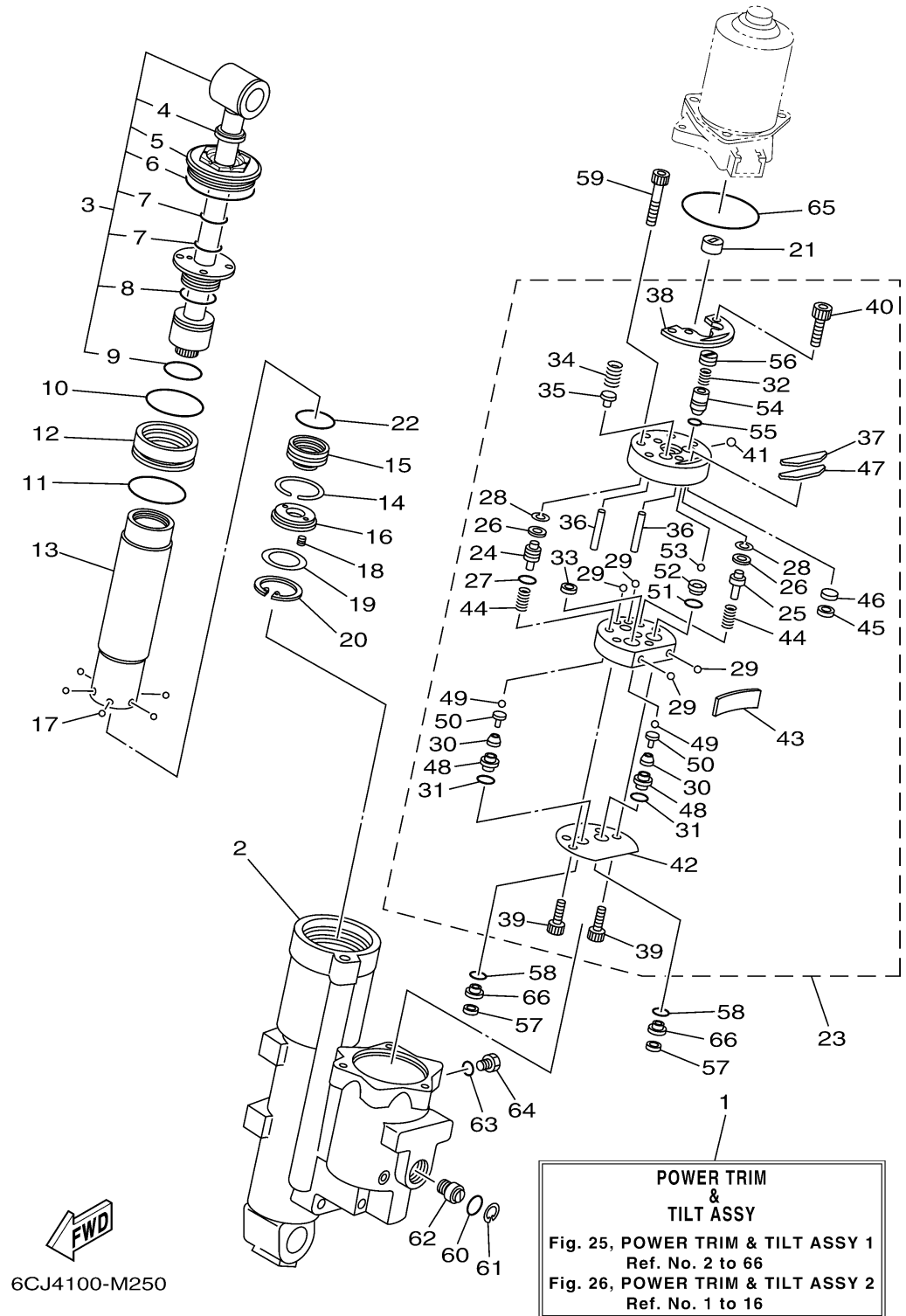


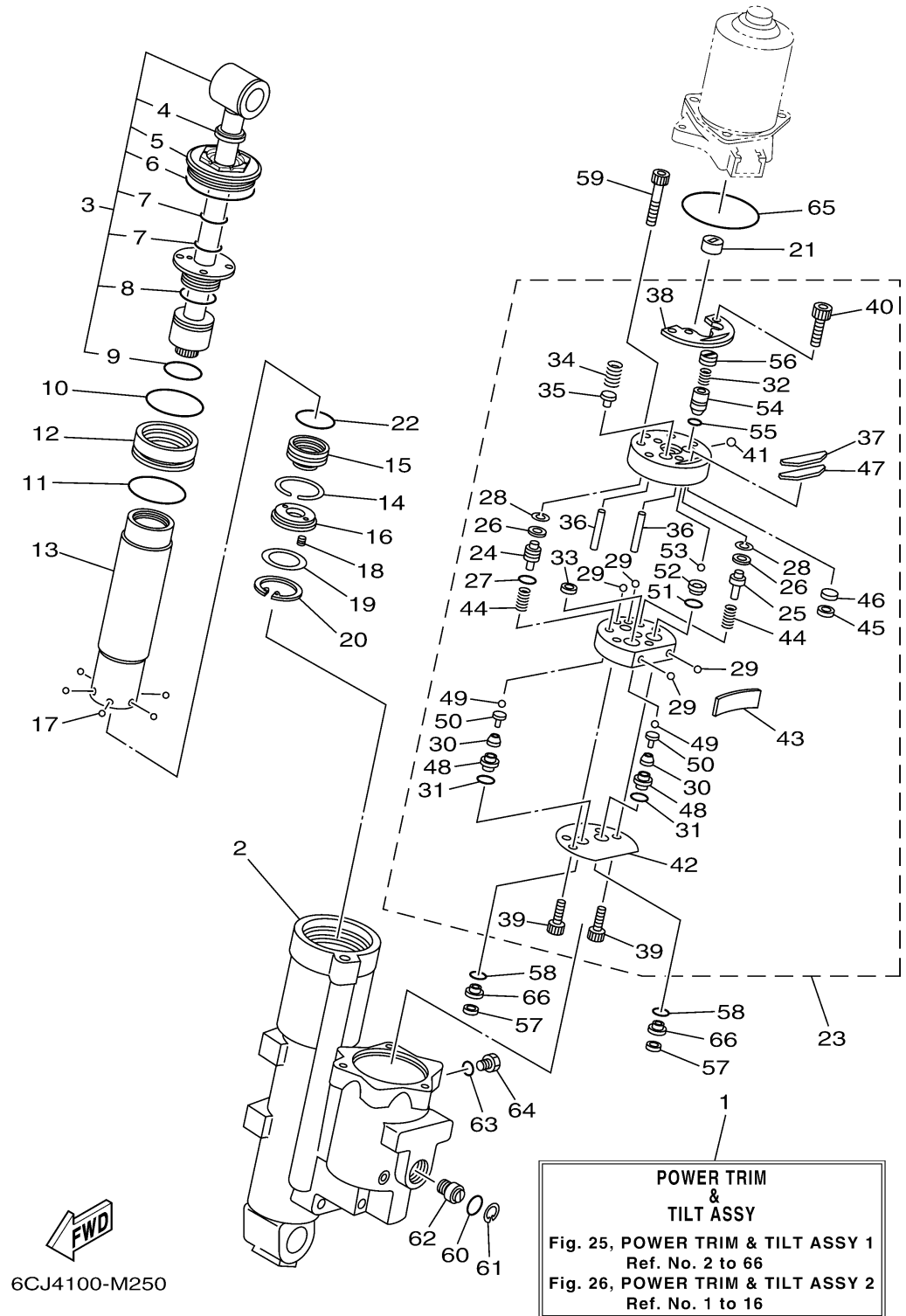
# POWER TRIM TILT ASSY 1



Ref No.	Part Number	Description	Qty	Remarks
1	6CJ-43800-10-8D	POWER TRIM & TILT ASSY	1	
2	6CJ-4380K-01-00	CYLINDER, TILT SUB ASSY	1	
3	6CJ-43810-01-00	TILT PISTON SUB ASSY	1	
4	62Y-43822-00-00	.SEAL, TRIM DUST	1	
5	68S-43821-01-00	.SCREW, TRIM CYLINDER END	1	
6	62X-43861-00-00	.O-RING	1	
7	6CJ-43863-00-00	...O-RING	2	
8	62X-43862-00-00	.O-RING	1	
9	67F-43863-00-00	.O-RING	1	
10	93210-44383-00	O-RING	1	
11	6CJ-43861-00-00	O-RING	1	
12	6CJ-4388A-00-00	PISTON, TRIM	1	
13	6CJ-22471-00-00	CYLINDER, SHOCK ABSORBER	1	
14	67F-43875-00-00	RING, SNAP	1	
15	69W-4381B-00-00	FREE PISTON SUB ASSY	1	
16	62X-43899-00-00	PLATE STOPPER	1	
17	93503-16003-00	.BALL	6	
18	62X-4384H-00-00	SPRING	2	
19	1UF-22434-00-00	PLATE, VALVE 1	1	
20	62X-43875-00-00	RING, SNAP	1	

CONTINUED ON NEXT FRAME >

# POWER TRIM TILT ASSY 1

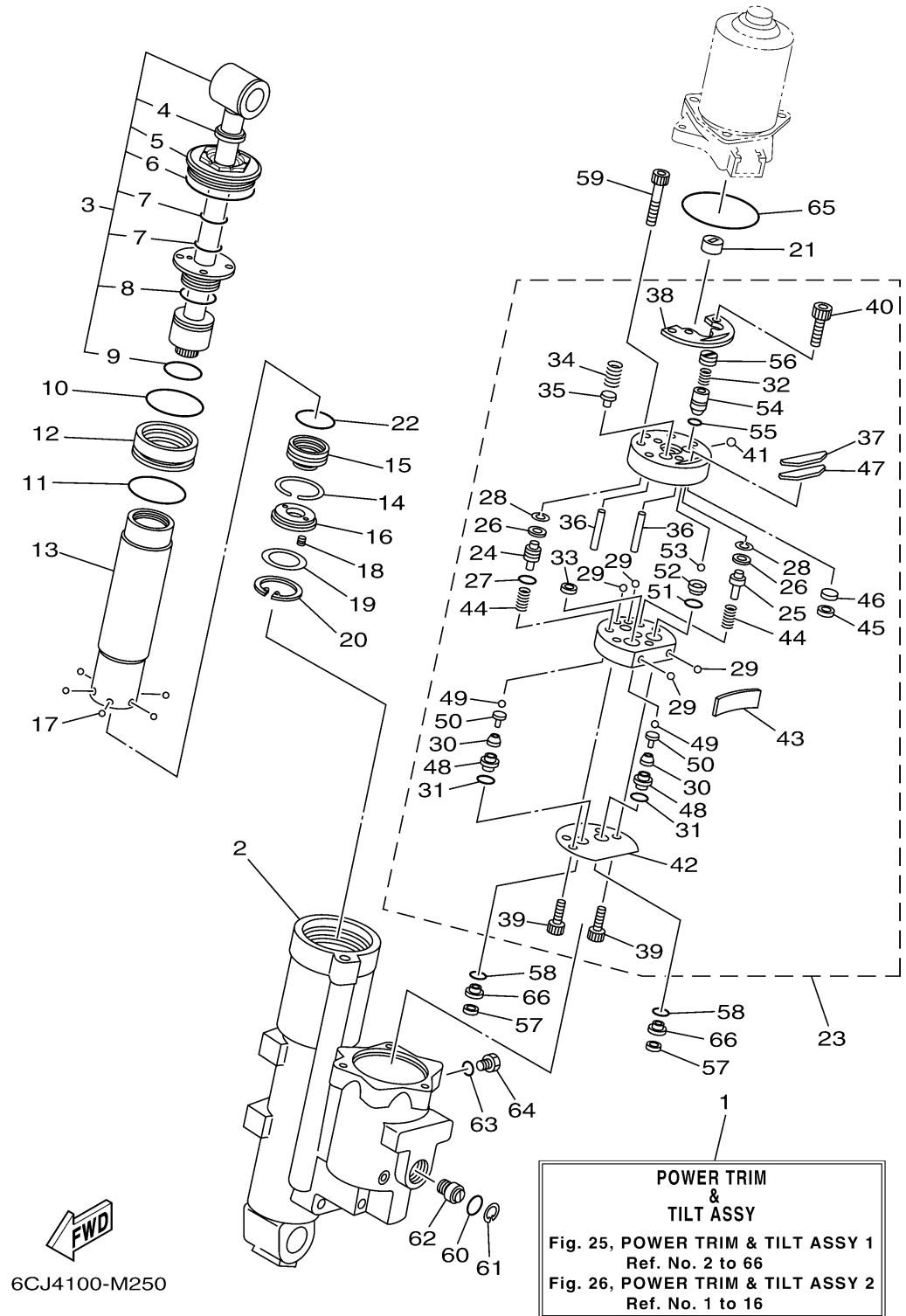


**FWD**  
6CJ4100-M250

Ref No.	Part Number	Description	Qty	Remarks
21	6H1-43831-10-00	CONNECTOR, SHAFT	1	
22	67F-43863-00-00	O-RING	1	
23	6CJ-43830-00-00	GEAR PUMP ASSY	1	
24	6CJ-43841-00-00	.PISTON, SHUTTLE	1	
25	6CJ-4384M-00-00	.PISTON, SHUTTLE 2	1	
26	69A-4384F-00-00	.SEAL, MAIN VALVE	2	
27	6H1-43883-00-00	.O-RING	1	
28	99002-03600-00	.CIRCLIP	2	
29	93505-32038-00	.BALL	4	
30	69J-43853-00-00	.SPRING, MAIN VALVE	2	
31	69J-4389J-00-00	.O-RING	2	
32	69J-43855-00-00	.SPRING, UP RELIEF	1	
33	6H1-4384F-10-00	.SEAL, MAIN VALVE	1	
34	69W-43856-00-00	.SPRING, DOWN RELIEF	1	
35	6H1-43844-10-00	.PIN, VALVE SUPPORT	1	
36	93604-26256-00	.PIN, DOWEL	2	
37	6CJ-43816-00-00	.FILTER 1	1	
38	69W-4382L-00-00	.CAP, RELIEF VALVE	1	
39	91318-05020-00	.BOLT	2	
40	91318-05008-00	.BOLT	2	

CONTINUED ON NEXT FRAME >

# POWER TRIM TILT ASSY 1

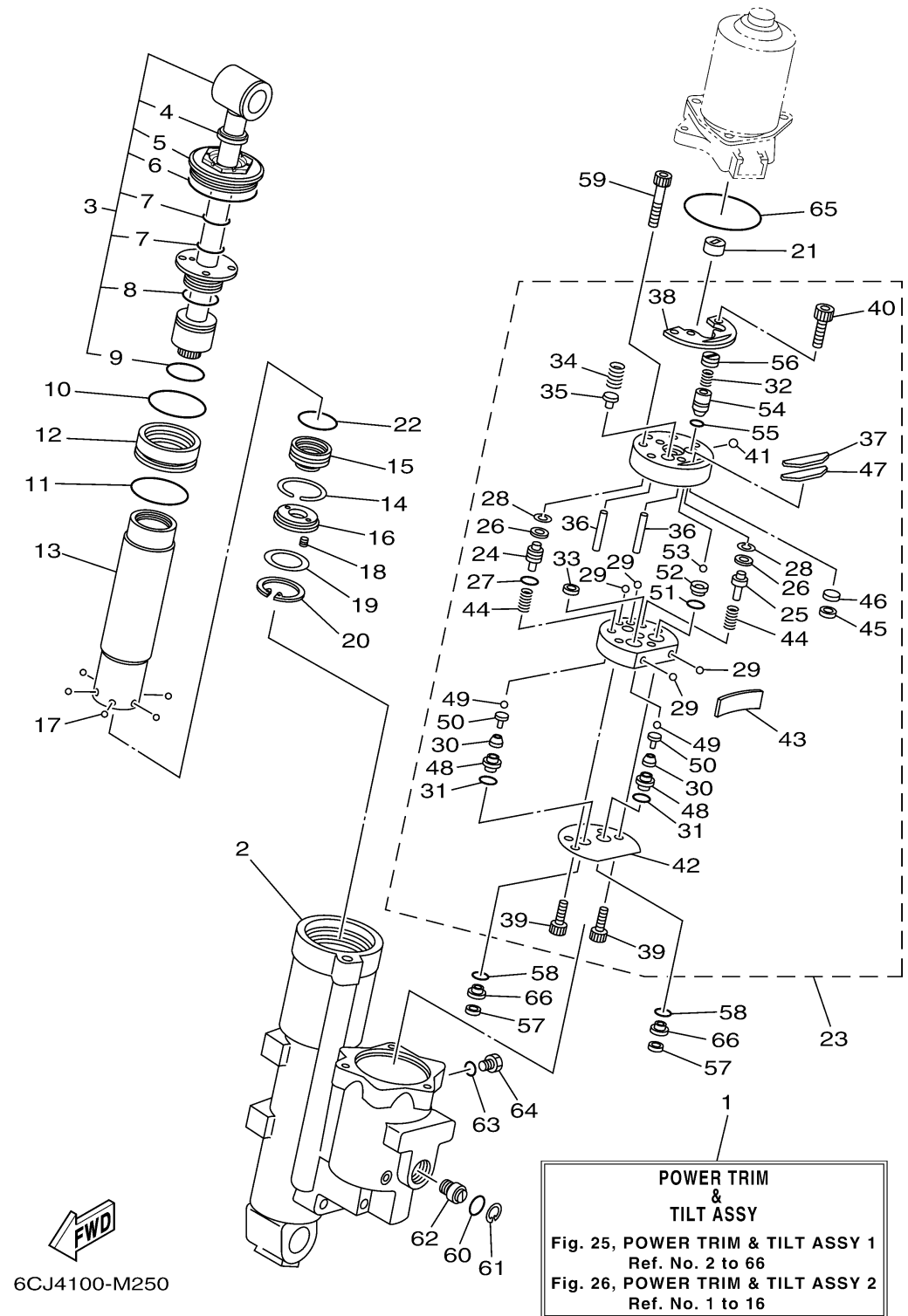


6CJ4100-M250

Ref No.	Part Number	Description	Qty	Remarks
41	93501-08001-00	. .BALL	1	
42	69W-4384G-00-00	. .SEAL, RELIEF VALVE	1	
43	69W-43854-00-00	. .SPRING, MANUAL RELEASE	1	
44	69J-43894-00-00	. .SPRING, SHUTTLE RETURN	2	
45	62Y-4387J-00-00	. .WASHER, SPECIAL 2	1	
46	62Y-22434-00-00	. .PLATE, VALVE 1	1	
47	62Y-43871-00-00	. .RING, BACK UP	1	
48	6CJ-43893-00-00	. .WASHER	2	
49	93505-32038-00	. .BALL	2	
50	65W-4386A-00-00	. .PIN, ABSORBER VALVE	2	
51	93210-08391-00	. .O-RING	1	
52	69J-43851-00-00	. .SEAT, RELIEF VALVE	1	
53	93501-08001-00	. .BALL	1	
54	6CJ-43844-00-00	. .PIN, VALVE SUPPORT	1	
55	93210-064A5-00	. .O-RING	1	
56	6CJ-43843-00-00	. .SCREW, VALVE LOCK	1	
57	69J-4381C-00-00	. .FILTER 3	2	
58	69J-4389J-00-00	. .O-RING	2	
59	91318-06040-00	BOLT	3	
60	6D8-43863-00-00	O-RING	1	

CONTINUED ON NEXT FRAME >

# POWER TRIM TILT ASSY 1



Ref No.	Part Number	Description	Qty	Remarks
61	6H1-43875-00-00	RING, SNAP	1	
62	62Y-43845-00-00	SCREW, MANUAL RELEASE	1	
63	93210-09165-00	O-RING	1	
64	6H1-43829-00-00	PLUG, RESERVOIR	1	
65	62X-43865-00-00	O-RING	1	
66	6CJ-43899-00-00	PLATE STOPPER	2	