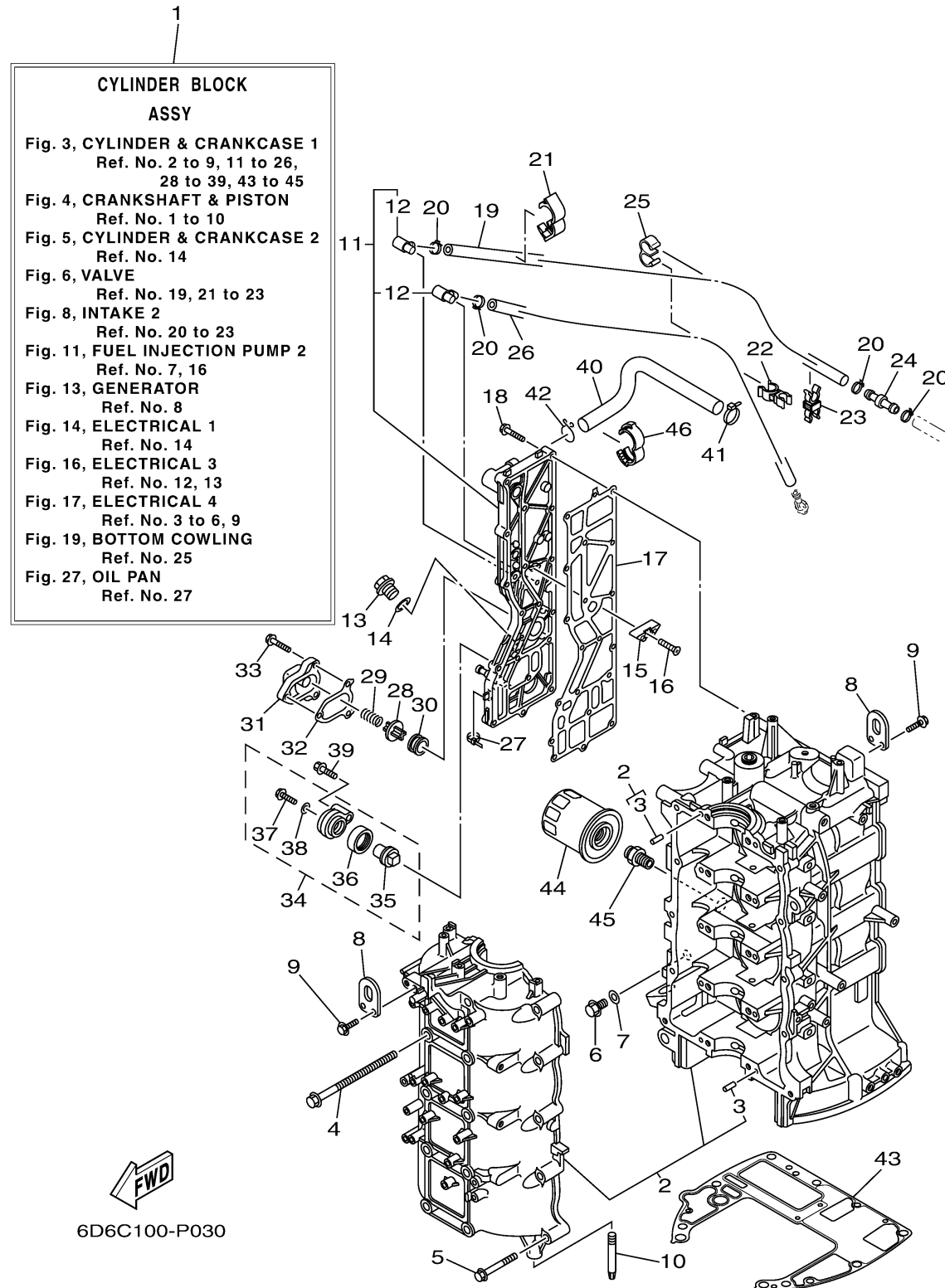


CYLINDER CRANKCASE 1

| Ref No. | Part Number | Description | Qty | Remarks |
|---------|-----------------|------------------------------|-----|--------------|
| 1 | 6D8-W009B-07-9S | CYLINDER BLOCK ASSY | 1 | -62P:1015188 |
| 1 | 6D8-W009B-08-9S | CYLINDER BLOCK ASSY | 1 | 62P:1015189- |
| 2 | 6D8-15100-02-00 | CRANKCASE ASSY | 1 | |
| 3 | 93606-12019-00 | . .PIN, DOWEL | 10 | |
| 4 | 90119-10M88-00 | BOLT, WITH WASHER | 10 | |
| 5 | 90119-08M66-00 | BOLT, WITH WASHER | 10 | |
| 6 | 90340-14M06-00 | PLUG, STRAIGHT SCREW | 1 | |
| 7 | 90430-14115-00 | GASKET | 1 | |
| 8 | 62Y-11119-00-00 | HANGER, ENGINE | 2 | |
| 9 | 97595-06520-00 | BOLT, WITH WASHER | 4 | |
| 10 | 67F-15142-00-00 | GUIDE 1 | 2 | |
| 11 | 6D8-41113-51-9S | OUTER COVER, EXHAUST | 1 | |
| 12 | 676-11372-00-00 | . .NIPPLE, HOSE | 2 | |
| 13 | 90340-18M09-00 | PLUG, STRAIGHT SCREW | 1 | |
| 14 | 90201-186F1-00 | .WASHER, PLATE | 1 | |
| 15 | 6E5-11325-00-00 | ANODE | 3 | |
| 16 | 98780-04016-00 | SCREW, FLAT HEAD | 3 | |
| 17 | 67F-41114-A2-00 | .GASKET, EXHAUST OUTER COVER | 1 | |
| 18 | 90119-06MA4-00 | BOLT, WITH WASHER | 18 | |
| 19 | 6D8-42541-00-00 | PIPE 1 | 1 | |

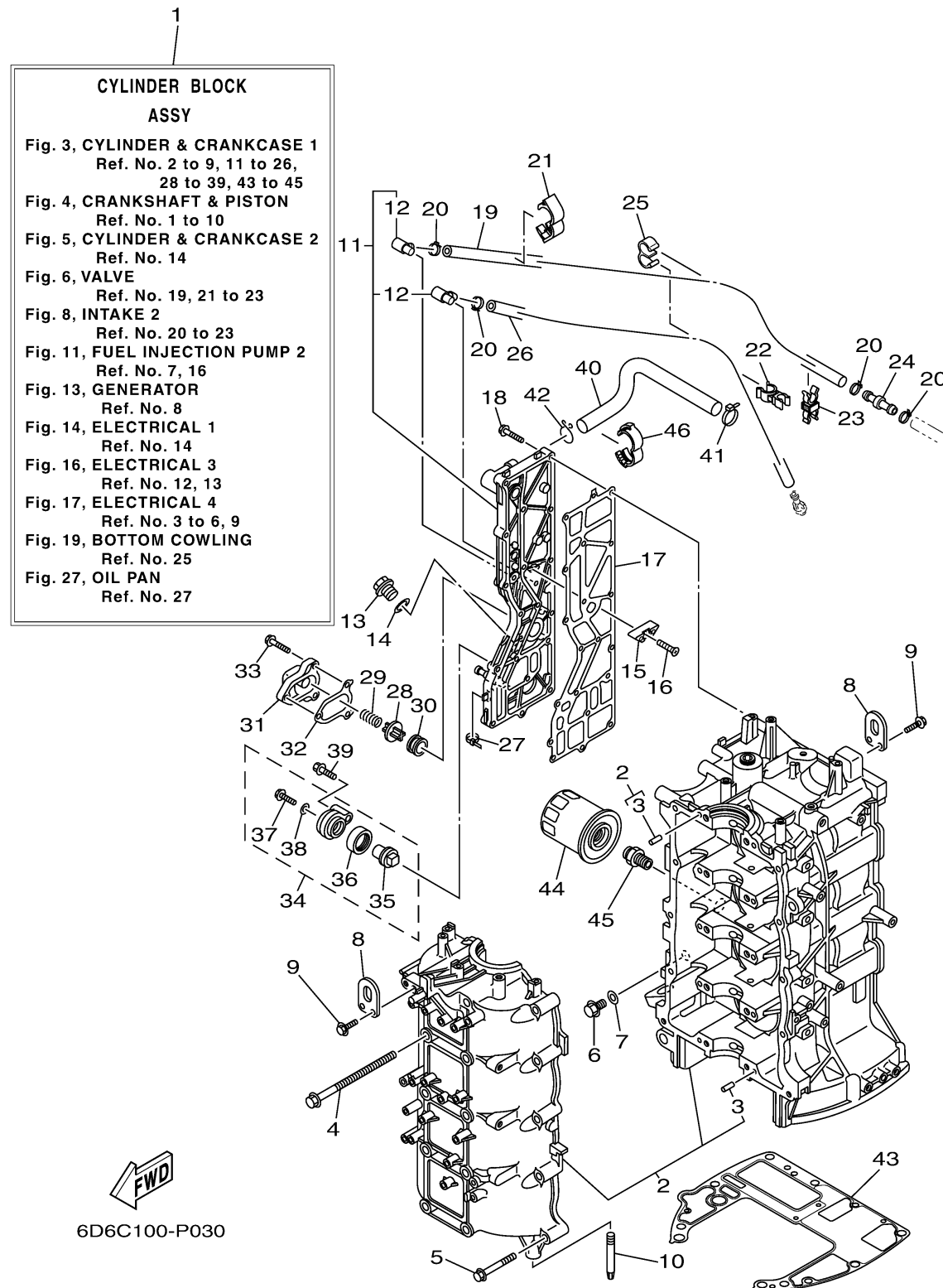
CONTINUED ON NEXT FRAME >



CYLINDER CRANKCASE 1

| Ref No. | Part Number | Description | Qty | Remarks |
|---------|-----------------|-------------------------|-----|---------|
| 20 | 90465-11M10-00 | CLAMP | 4 | |
| 21 | 90464-18004-00 | CLAMP | 1 | |
| 22 | 90464-10010-00 | CLAMP | 1 | |
| 23 | 90464-11009-00 | CLAMP | 1 | |
| 24 | 6D8-24378-00-00 | PIPE, JOINT 3 | 1 | |
| 25 | 90464-09M31-00 | CLAMP | 1 | |
| 26 | 68V-42541-20-00 | PIPE 1 | 1 | |
| 27 | 90465-11M10-00 | CLAMP | 1 | |
| 28 | 6G5-12416-00-00 | VALVE, PRESSURE CONTROL | 1 | |
| 29 | 90501-16M11-00 | SPRING, COMPRESSION | 1 | |
| 30 | 90480-20M05-00 | GROMMET | 1 | |
| 31 | 67F-1246A-A0-9S | COVER 1 | 1 | |
| 32 | 67F-12435-A0-00 | .GASKET | 1 | |
| 33 | 90119-06MA2-00 | BOLT, WITH WASHER | 3 | |
| 34 | 69J-11301-00-00 | ANODE COVER ASSY | 1 | |
| 35 | 67F-11325-01-00 | ..ANODE | 1 | |
| 36 | 67F-11328-00-00 | ..GROMMET, ANODE | 1 | |
| 37 | 90105-06M07-00 | ..BOLT, FLANGE | 1 | |
| 38 | 90430-06M03-00 | ..GASKET | 1 | |
| 39 | 97575-08540-00 | BOLT, WITH WASHER | 1 | |

CONTINUED ON NEXT FRAME >



CYLINDER CRANKCASE 1

| Ref No. | Part Number | Description | Qty | Remarks |
|---------|-----------------|---------------------------|-----|---------|
| 40 | 67F-1243A-00-00 | HOSE 1 | 1 | |
| 41 | 90465-11M59-00 | CLAMP | 1 | |
| 42 | 90467-20M15-00 | CLIP | 1 | |
| 43 | 68V-11351-00-00 | .GASKET, CYLINDER | 1 | |
| 44 | 5GH-13440-30-00 | ELEMENT ASSY, OIL CLEANER | 1 | |
| 45 | 90401-20007-00 | BOLT, UNION | 1 | |
| 46 | 90464-16001-00 | CLAMP | 1 | |

