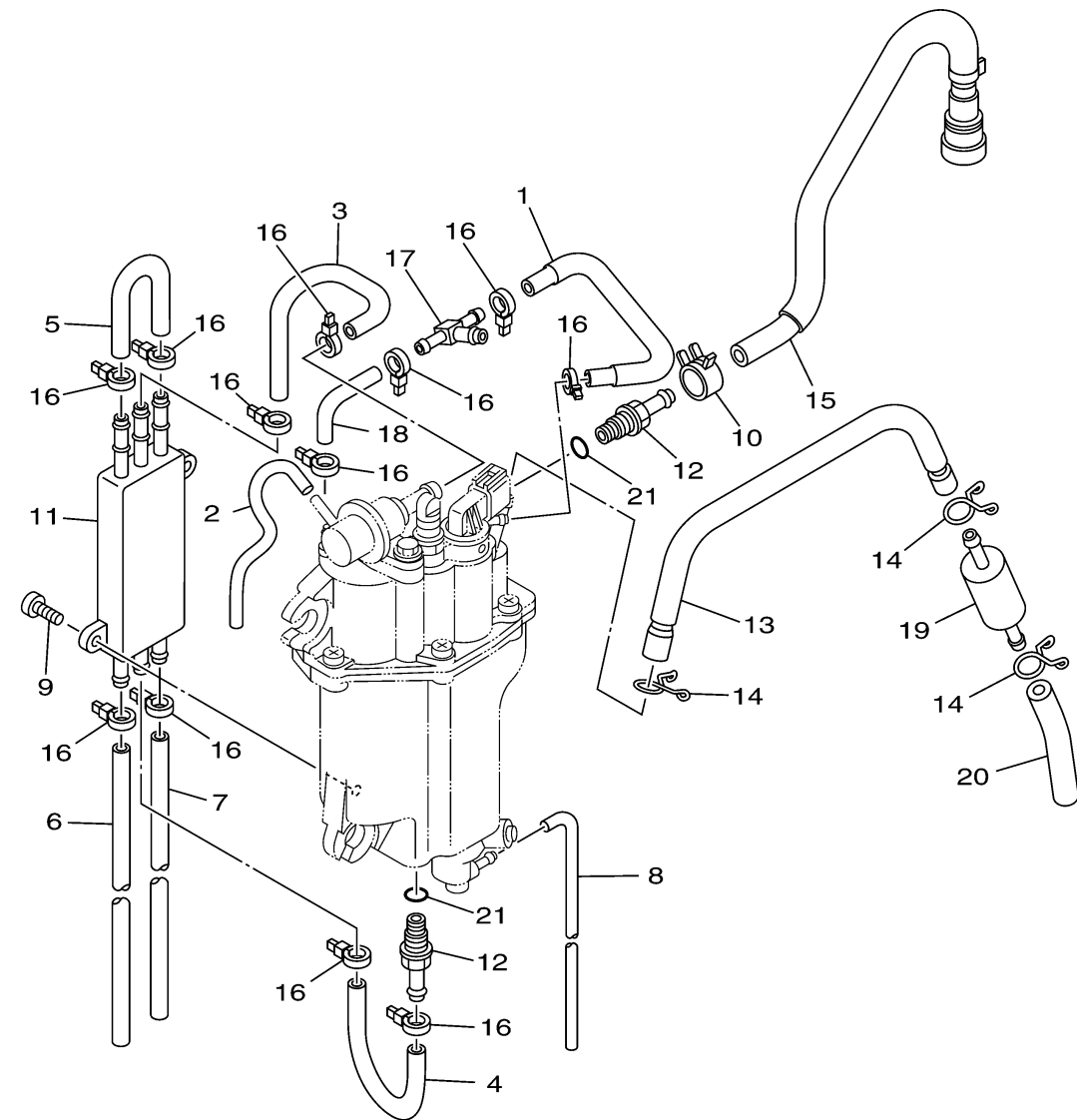


FUEL INJECTION PUMP 2



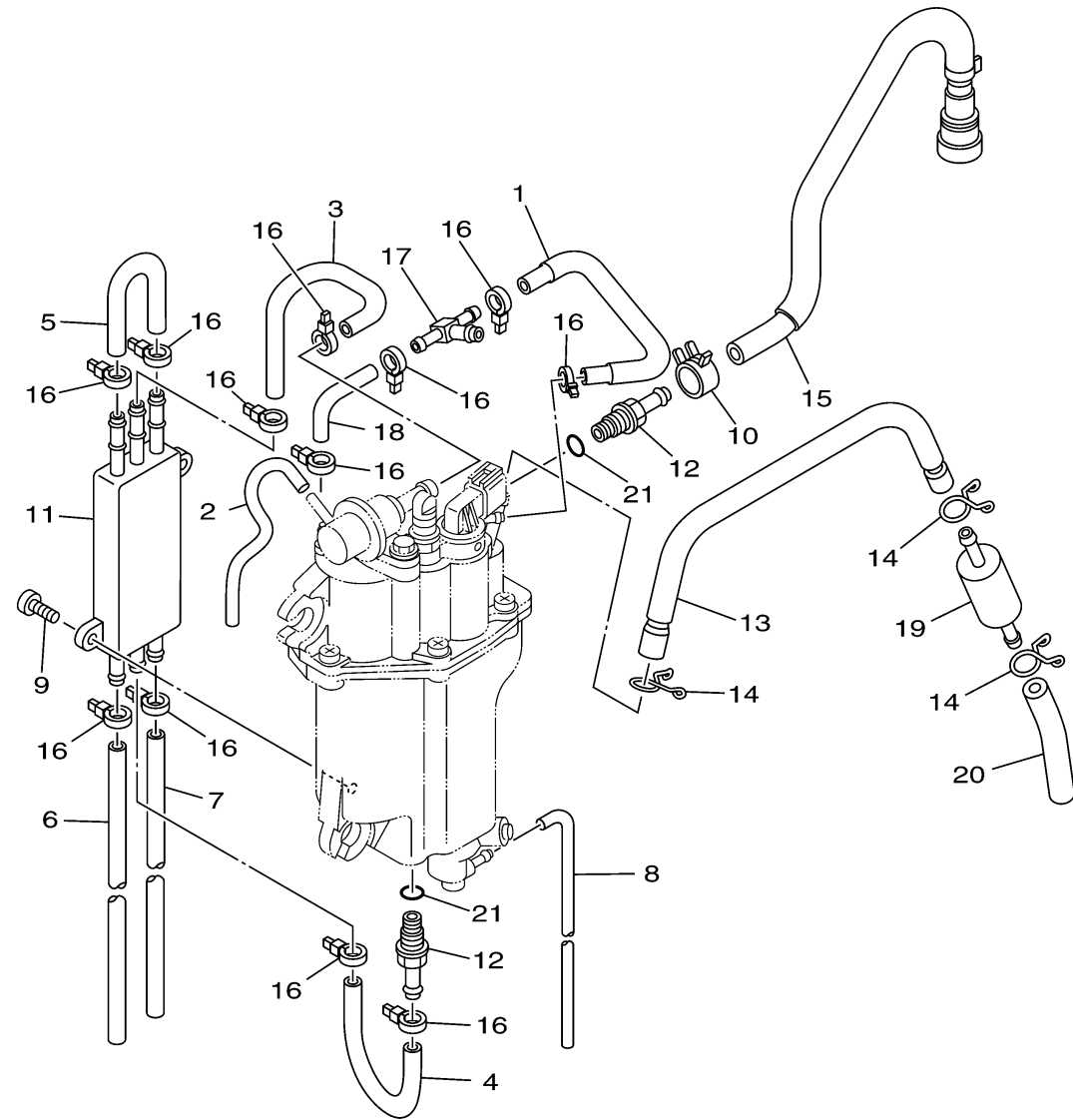
FWD
6D67110-K100

Ref No.	Part Number	Description	Qty	Remarks
1	6D8-13546-01-00	HOSE 2	1	
2	6D8-13542-01-00	HOSE, VACUUM SENSING 1	1	
3	6C5-24321-20-00	PIPE 10	1	
4	6C5-24322-20-00	PIPE 11	1	
5	6C5-24323-00-00	PIPE 12	1	
6	6D8-24324-01-00	PIPE 13	1	
7	6D8-24325-10-00	PIPE 14	1	
8	6BG-14149-00-00	PIPE	1	
9	6C5-24444-00-00	SCREW	2	
10	6C5-13577-00-00	CLIP	1	
11	6C5-21841-01-00	COOLER	1	
12	6C5-14251-00-00	NIPPLE	2	
13	6D8-14148-20-00	PIPE	1	
14	6C5-24387-00-00	CLIP	3	
15	6D8-13974-00-00	PIPE, FUEL 4	1	
16	90465-11M10-00	CLAMP	12	
17	6C5-24379-00-00	PIPE, JOINT 4	1	
18	6C5-13545-00-00	HOSE 1	1	
19	6C5-24251-00-00	.STRAINER 1	1	
20	6D8-2451B-20-00	HOSE, FUEL INLET	1	

CONTINUED ON NEXT FRAME >

FUEL INJECTION PUMP 2

Ref No.	Part Number	Description	Qty	Remarks
21	6C5-13739-00-00	O-RING	2	



6D67110-K100