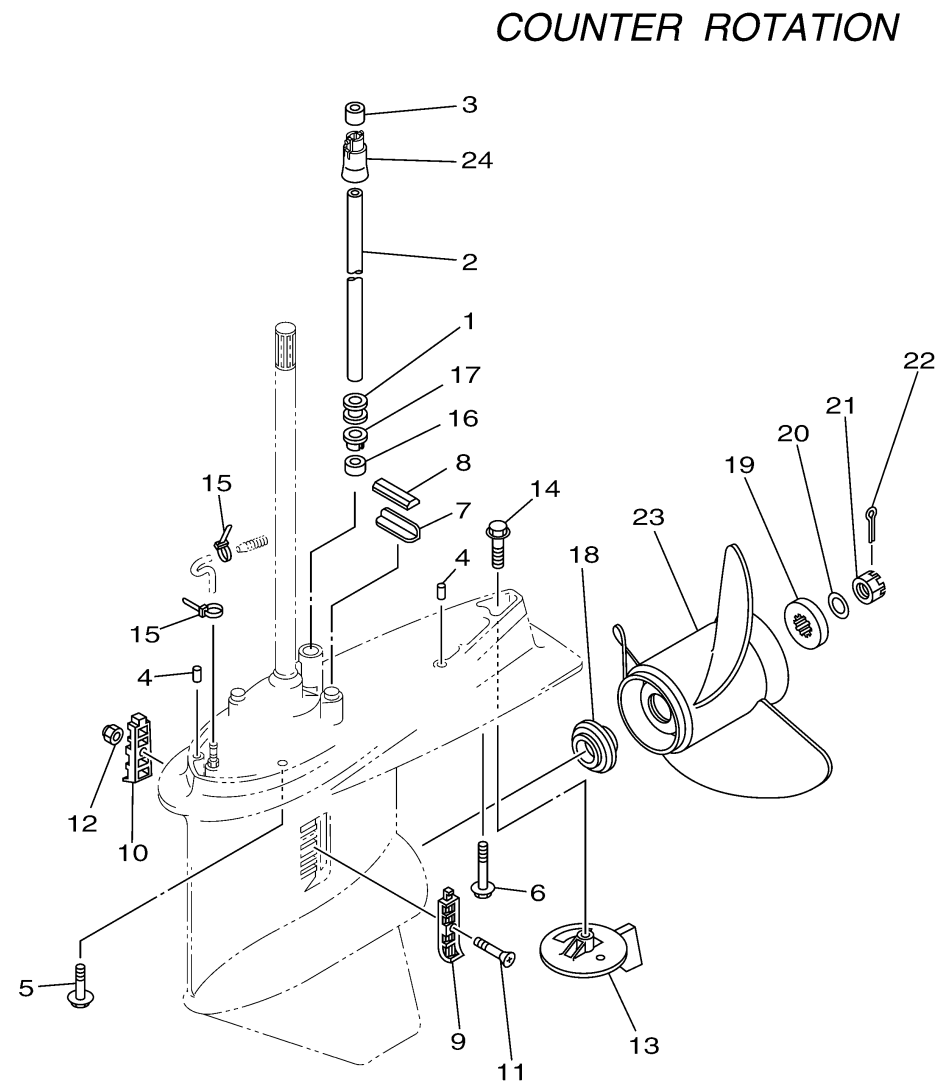


# LOWER CASING DRIVE 4



Ref No.	Part Number	Description	Qty	Remarks
1	6E5-44366-00-00	.DAMPER, WATER SEAL 2	1	
2	90440-16002-00	PIPE (L294)	1	X(25.3")
3	6EK-44365-01-00	DAMPER, WATER SEAL 1	1	
4	93608-12M05-00	PIN, DOWEL	2	
5	97575-10545-00	BOLT, WITH WASHER	6	
6	90119-10M89-00	BOLT, WITH WASHER	1	
7	663-45376-00-00	GUIDE, SEAL DAMPER	1	
8	688-45375-00-00	DAMPER, SEAL	1	
9	688-45214-02-00	COVER, WATER INLET 1	1	
10	688-45215-02-00	COVER, WATER INLET 2	1	
11	90152-05M07-00	SCREW, COUNTERSUNK	1	
12	90185-05002-00	.NUT, NYLON	1	
13	6L6-45371-00-00	TAB-TRIM	1	
14	90105-10M00-00	BOLT, FLANGE	1	
15	90465-11M10-00	CLAMP	2	
16	6E5-44365-00-00	.DAMPER, WATER SEAL 1	1	
17	6E5-44312-00-00	COVER, WATER PUMP HOUSING	1	
18	63P-45987-00-00	SPACER 1	1	
19	688-45997-01-00	SPACER 2	1	
20	92990-18200-00	WASHER	1	

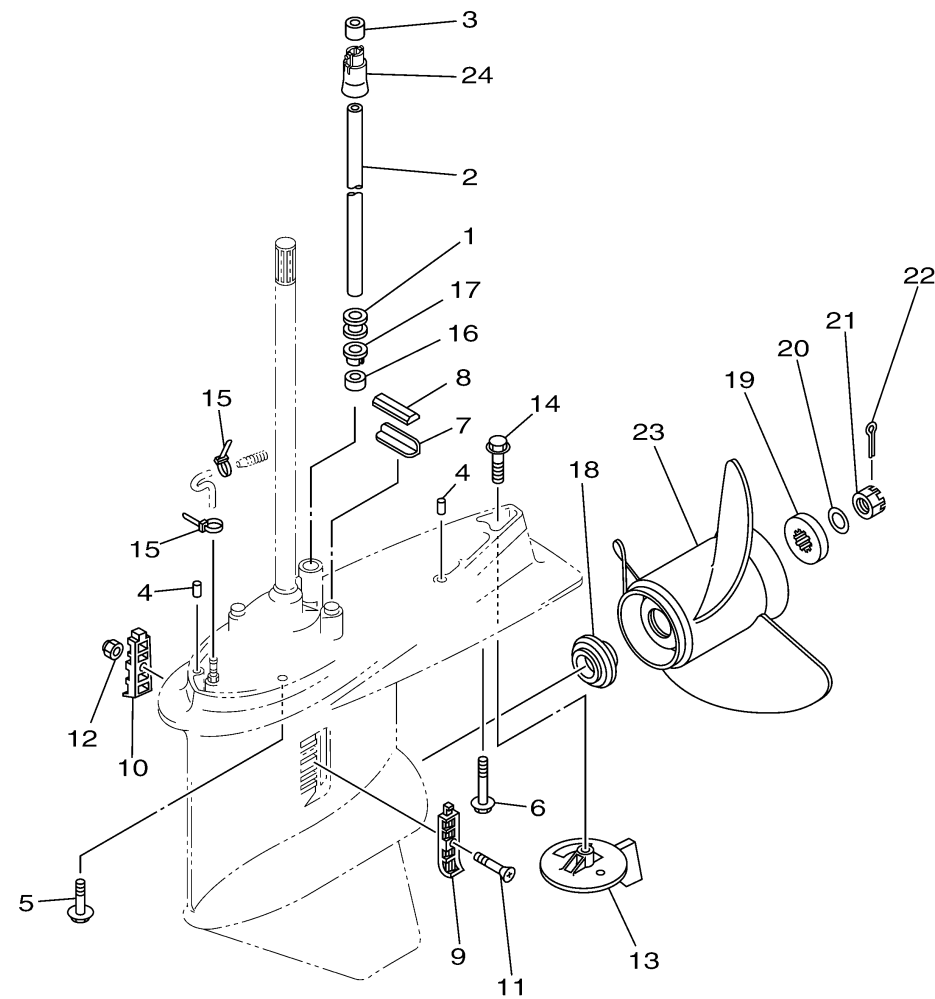
CONTINUED ON NEXT FRAME >

  
 6EL1100N3201  
 Revised: 8-4-2015

# LOWER CASING DRIVE 4

Ref No.	Part Number	Description	Qty	Remarks
21	90171-18M04-00	NUT, CASTLE	1	
22	91490-40030-00	PIN. COTTER	1	
23	6L6-45970-00-00	PROPELLER (3X13"X19"-KL)	1	UR
23	6L6-45930-01-00	PROPELLER (3X13"X17"-KL)	1	UR
23	6L6-45972-00-00	PROPELLER (3X13"X21"-KL)	1	UR
24	6EK-44379-00-00	GUIDE, WATER TUBE	1	

COUNTER ROTATION



6EL1100N3201  
Revised: 8-4-2015