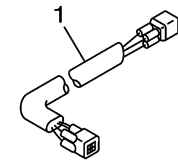
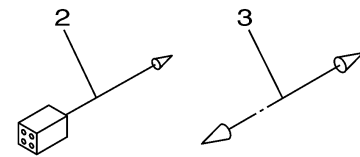


**REMOTE-OIL TANK HARNESS**

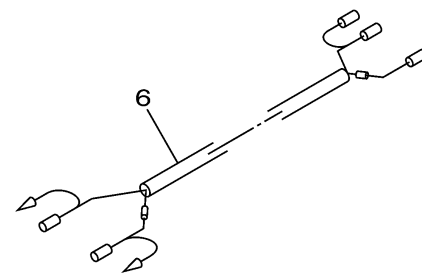
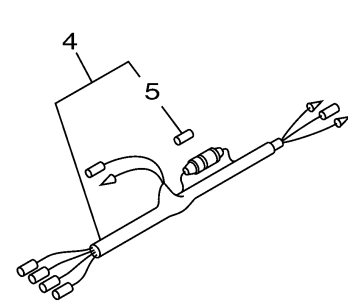


For V4, V6 oil injection model

**ACCESSORY LEAD**

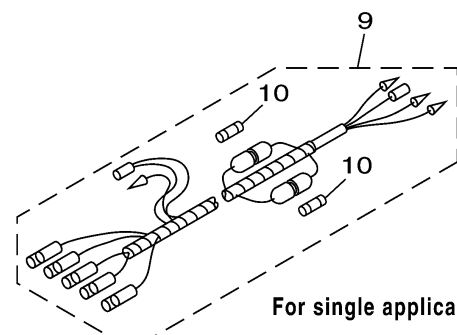
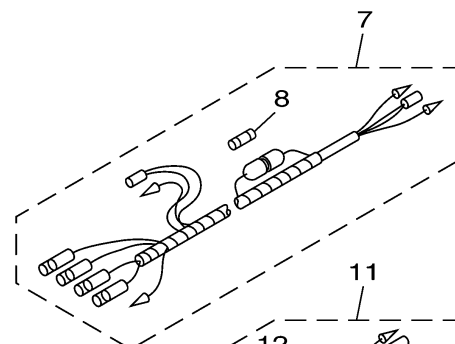


**METER HARNESS (For analog meter)**

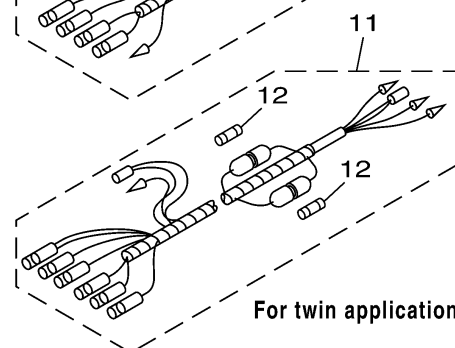


For pre-mixed model

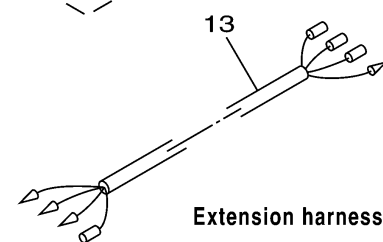
**METER HARNESS (For digital meter)**



For single application



For twin application



Extension harness

601M10M-J090

# WIRE HARNESS 1

Ref No.	Part Number	Description	Qty	Remarks
1	6R3-85721-50-00	WIRE, LEAD (L=5.0M)	1	UR (4P)
1	6R3-85721-30-00	WIRE, LEAD (L=3.0M)	1	UR (4P)
1	6R3-85721-80-00	WIRE, LEAD (L=8.0M)	1	UR (4P)
2	6Y5-82149-00-00	WIRE, LEAD (BLUE) (L300)	1	UR
2	6Y5-82117-00-00	WIRE, LEAD (BLACK) (L300)	1	UR
3	703-82531-00-00	WIRE, LEAD (L70)	1	L/H MODEL
4	6Y5-83553-00-00	WIRE, LEAD (L=2.5M)	1	
5	1E6-82151-00-00	. . FUSE (10A)	1	
6	6Y5-83553-10-00	WIRE, LEAD (L=5.0M)	1	
7	6Y5-83553-20-00	WIRE, LEAD (L=2.5M)	1	L/H MODEL
8	1E6-82151-00-00	. . FUSE (10A)	1	
9	6Y5-83553-M0-00	WIRE, LEAD (L=2.5M)	1	
10	1E6-82151-00-00	. . FUSE (10A)	2	
11	6Y5-83553-N0-00	WIRE, LEAD (L=2.5M)	1	
12	1E6-82151-00-00	. . FUSE (10A)	2	
13	6Y5-8356N-00-00	WIRE, LEAD (L=1.5M)	1	