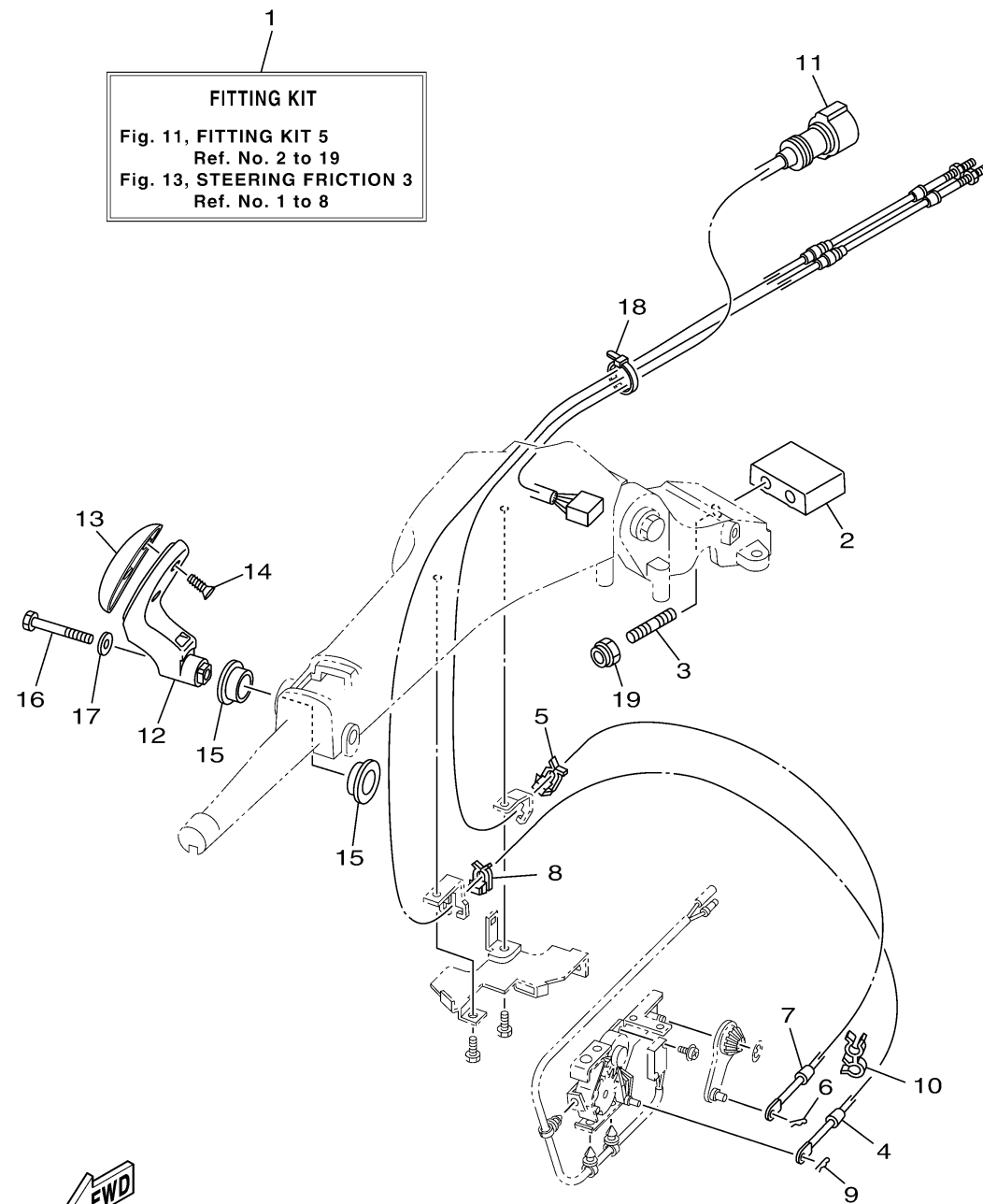


### 6X4 TILLER HANDLE FITTING KIT (90)



601S10S-N110

## FITTING KIT 90

| Ref No. | Part Number     | Description             | Qty | Remarks |
|---------|-----------------|-------------------------|-----|---------|
| 1       | 6X4-42102-41-00 | FITTING KIT             | 1   | LM      |
| 2       | 6X4-42121-00-8D | BRACKET                 | 1   |         |
| 3       | 90116-10031-00  | BOLT, STUD              | 2   |         |
| 4       | 6H1-48321-11-00 | CABLE                   | 1   |         |
| 5       | 63D-48538-00-00 | CLAMP, CABLE 1          | 1   |         |
| 6       | 90468-10005-00  | CLIP                    | 1   |         |
| 7       | 6H1-26301-01-00 | THROTTLE CABLE ASSY     | 1   |         |
| 8       | 63D-48538-00-00 | CLAMP, CABLE 1          | 1   |         |
| 9       | 90468-10005-00  | CLIP                    | 1   |         |
| 10      | 90464-09M42-00  | CLAMP                   | 1   |         |
| 11      | 6X4-82586-30-00 | EXTENSION, WIRE HARNESS | 1   |         |
| 12      | 6X4-44159-10-8D | HANDLE, GEAR SHIFT      | 1   |         |
| 13      | 6X4-44173-00-00 | LEVER, SHIFT CONTROL    | 1   |         |
| 14      | 97780-60920-00  | SCREW, TAPPING          | 2   |         |
| 15      | 90386-26MA3-00  | BUSH                    | 1   |         |
| 16      | 97095-08040-00  | BOLT                    | 1   |         |
| 17      | 92995-08600-00  | WASHER                  | 1   |         |
| 18      | 90465-13M36-00  | CLAMP                   | 1   |         |
| 19      | 90185-10027-00  | NUT, SELF-LOCKING       | 2   |         |