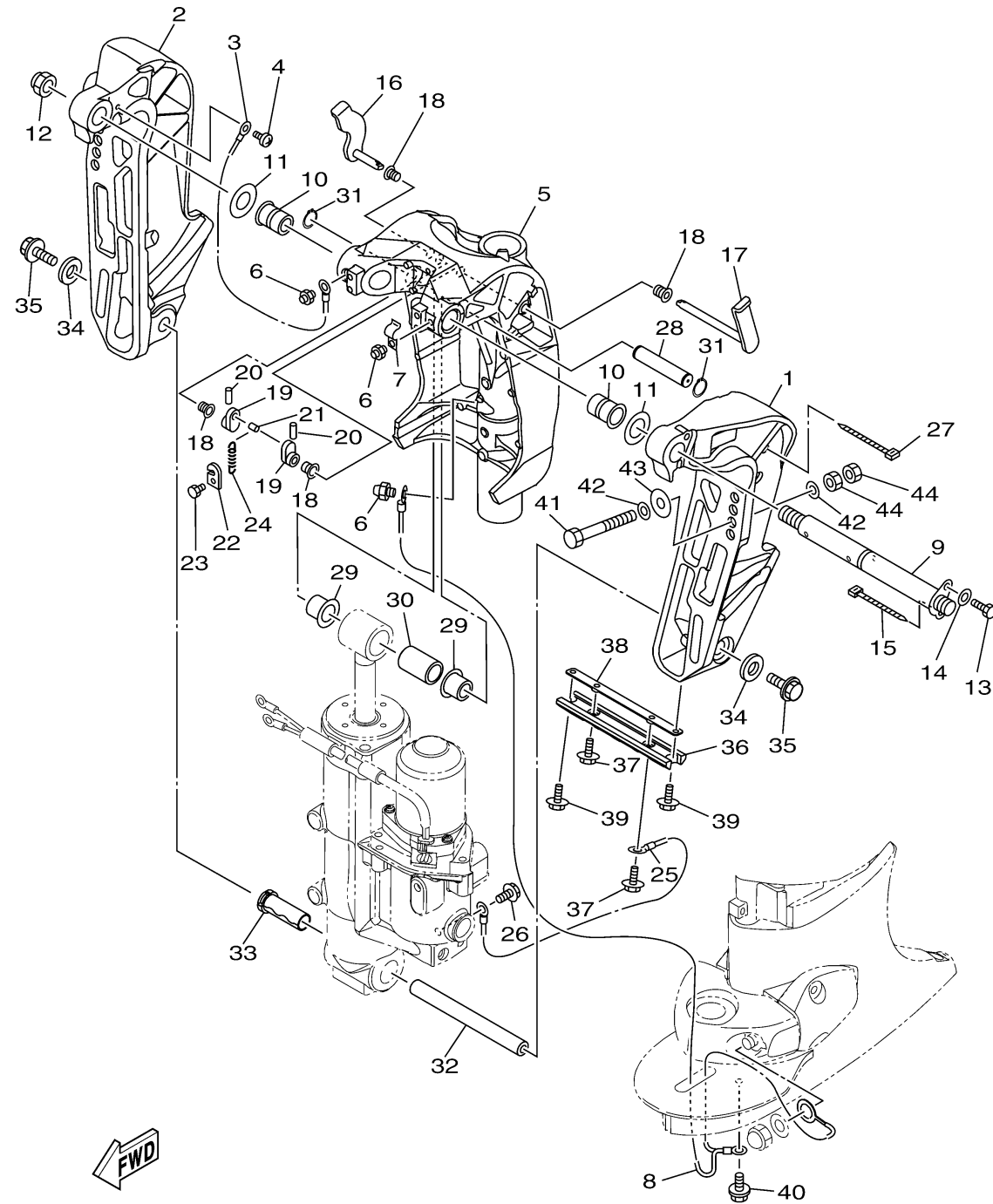


6EM1100-P250

BRACKET 1

Ref No.	Part Number	Description	Qty	Remarks
1	6EK-43111-00-8D	BRACKET, CLAMP 1	1	
2	6EK-43112-00-8D	BRACKET, CLAMP 2	1	
3	6E5-82148-00-00	WIRE, LEAD 4	1	
4	97880-06012-00	SCREW, PAN HEAD	1	
5	6EK-43311-10-8D	BRACKET, SWIVEL 1	0	X(25.3")
5	6EK-43311-00-8D	BRACKET, SWIVEL 1	1	L(20.3")
6	93700-06M03-00	NIPPLE, GREASE	3	
7	90465-08M63-00	CLAMP	1	
8	68V-82149-30-00	WIRE, LEAD 3	0	X(25.3")
8	66K-82149-00-00	WIRE, LEAD 3	1	L(20.3")
9	64E-43131-30-00	BOLT, CLAMP BRACKET	1	
10	90386-25M31-00	BUSH	2	
11	90201-26M59-00	WASHER, PLATE	2	
12	90185-22M11-00	NUT, SELF-LOCKING	1	
13	97095-08020-00	BOLT	1	
14	92995-08600-00	WASHER	1	
15	90465-11M10-00	CLAMP	1	
16	6EK-43181-00-00	LEVER, TILT STOP 1	1	
17	6EK-43185-00-00	LEVER, TILT STOP 2	1	
18	90386-10M16-00	BUSH	4	

CONTINUED ON NEXT FRAME >

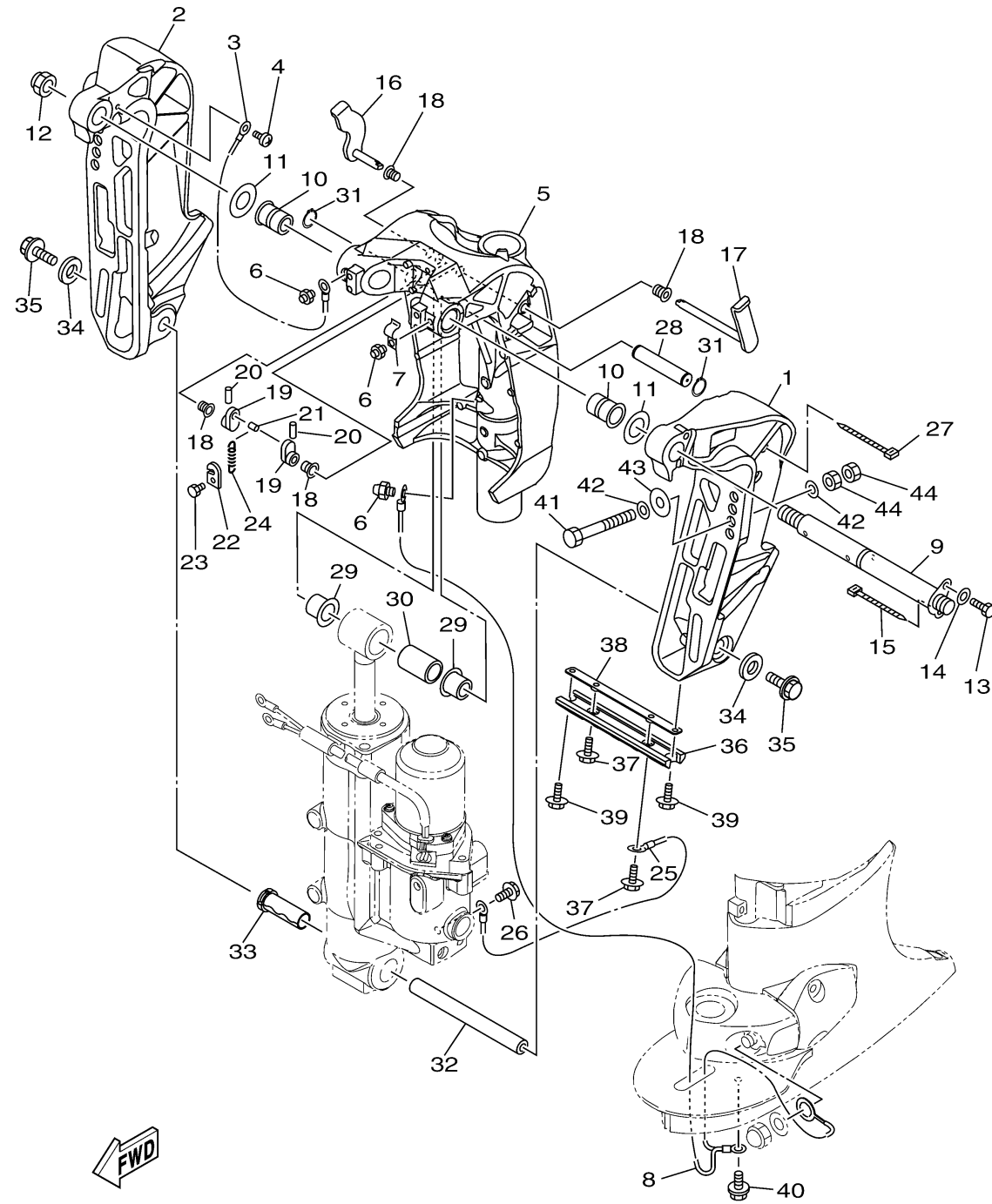


6EM1100-P250

BRACKET 1

Ref No.	Part Number	Description	Qty	Remarks
19	6G5-43148-00-00	COLLAR, DISTANCE	2	
20	91690-30020-00	PIN, SPRING	2	
21	90249-06M19-00	PIN	1	
22	66T-43144-00-00	HOOK, SPRING	1	
23	97095-06010-00	BOLT	1	
24	90506-14M24-00	SPRING, TENSION	1	
25	6D8-82148-00-00	WIRE, LEAD 4	1	
26	97595-06510-00	BOLT, WITH WASHER	1	
27	90465-13M18-00	CLAMP	1	
28	6EK-43126-00-00	PIN, UPPER SHOCK MOUNT	1	
29	90386-18M35-00	BUSH	2	
30	90386-18001-00	BUSH	1	
31	93410-18M05-00	CIRCLIP	2	
32	6EK-43818-00-00	PIN, LOWER SHOCK MOUNT	1	
33	90383-20001-00	BUSH, FORMED	1	
34	90201-10060-00	WASHER, PLATE	2	
35	90119-10054-00	BOLT, WITH WASHER	2	
36	6H1-45251-03-00	ANODE	1	
37	90119-06M81-00	BOLT, WITH WASHER	2	
38	6EK-44536-00-00	PLATE 2	1	

CONTINUED ON NEXT FRAME >



6EM1100-P250

BRACKET 1

Ref No.	Part Number	Description	Qty	Remarks
39	97595-06616-00	BOLT, WITH WASHER	2	
40	95895-06010-00	BOLT, FLANGE	1	
41	90101-12047-00	BOLT (L:150MM)	4	
42	90201-13M01-00	WASHER, PLATE	8	
43	90201-12426-00	WASHER, PLATE	4	
44	95380-12600-00	NUT	8	