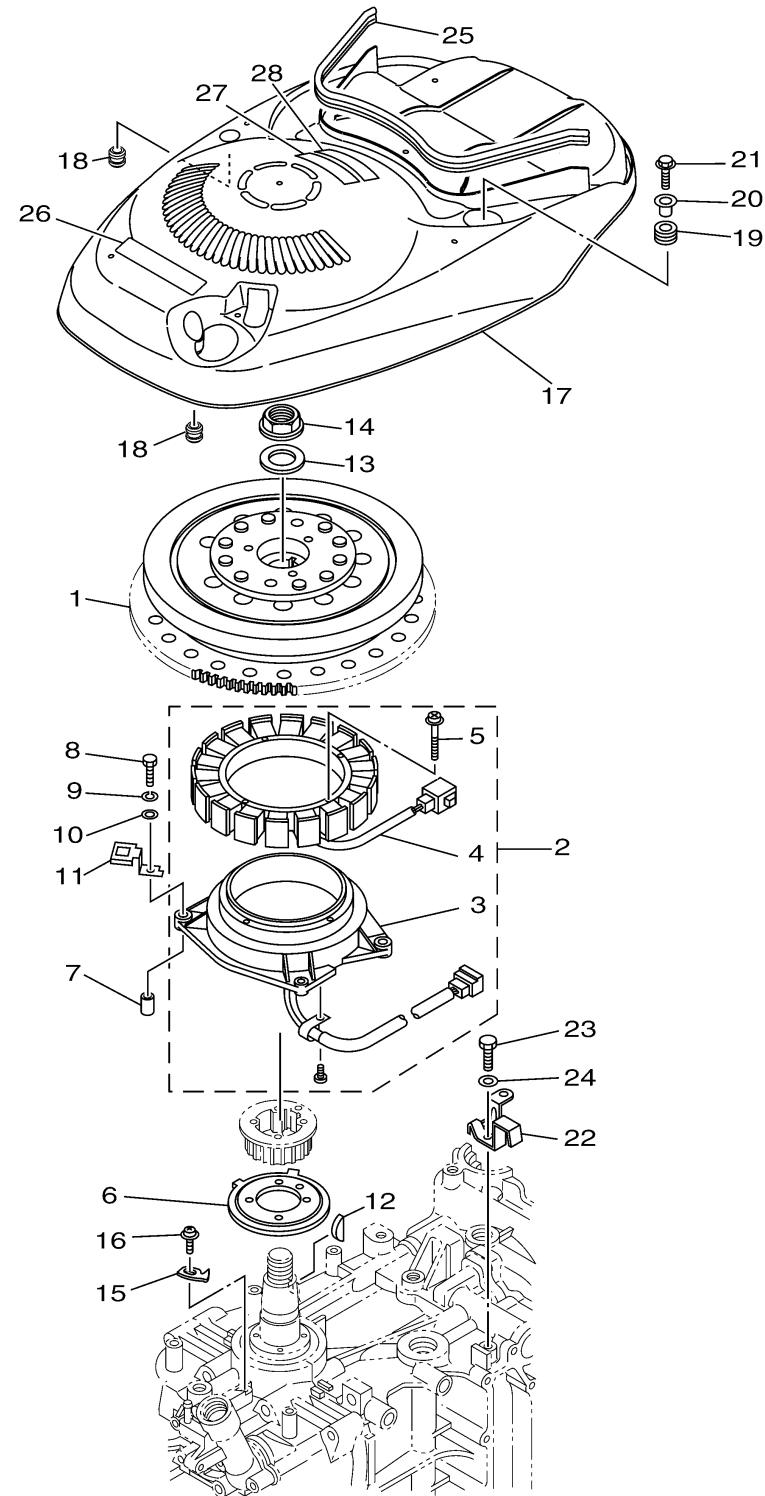


GENERATOR

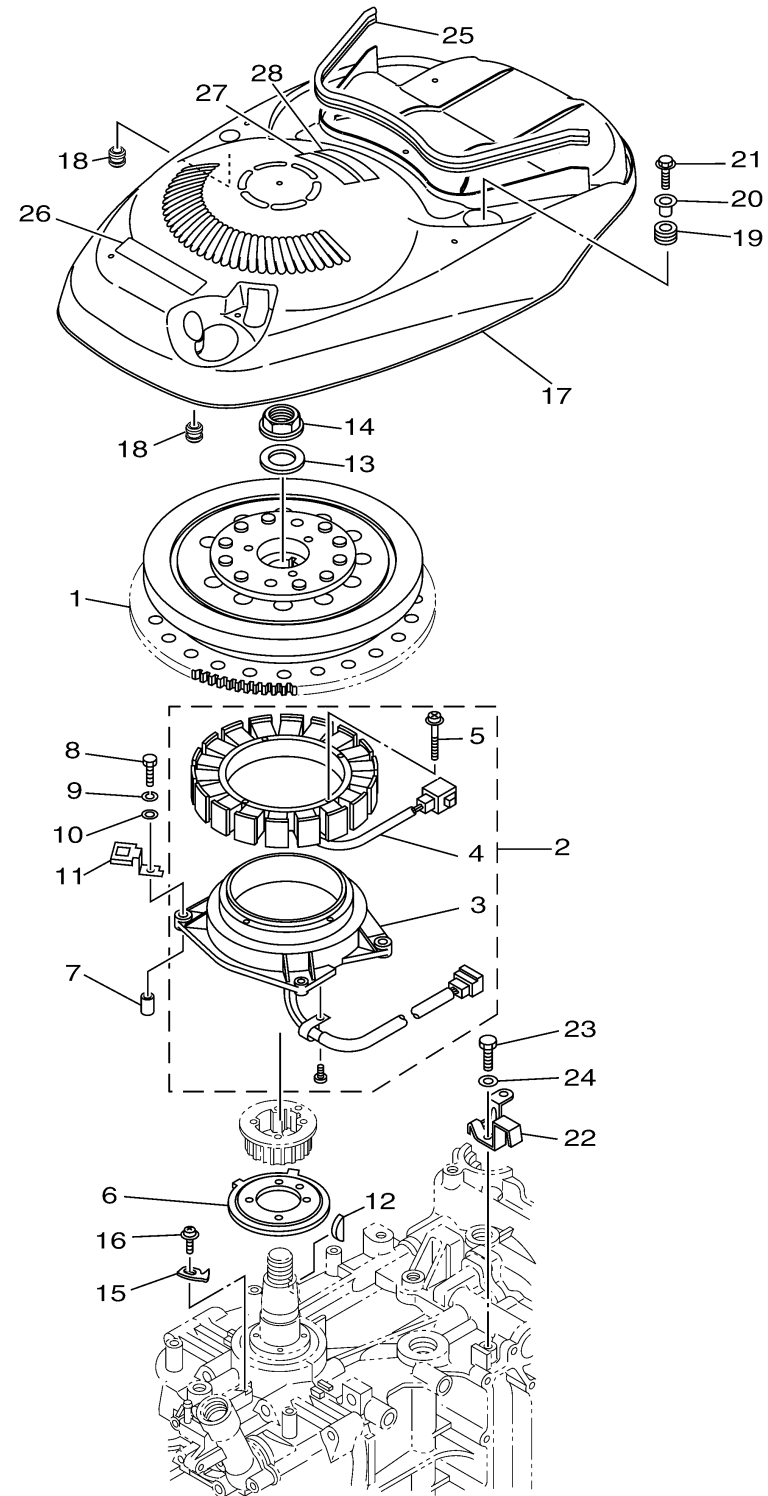


Ref No.	Part Number	Description	Qty	Remarks
1	63P-81450-00-00	ROTOR ASSY	1	
2	63P-81460-00-00	BASE ASSY	1	
3	63P-85580-00-00	. .COIL, PULSER	1	
4	63P-81410-00-00	. .STATOR ASSY	1	
5	63D-81345-20-00	. .SCREW, WITH WASHER (M6X30)	4	
6	63P-81673-01-00	ROTOR	1	
7	99530-08012-00	PIN, DOWEL	2	
8	97095-06035-00	BOLT	4	
9	92995-06100-00	WASHER, SPRING	4	
10	92995-06600-00	WASHER	4	
11	63P-81845-00-00	PLATE	2	
12	90280-05015-00	KEY, WOODRUFF	1	
13	90201-24014-00	WASHER, PLATE	1	
14	90179-24002-00	NUT	1	
15	6P2-81332-00-00	PLATE, TIMING	1	
16	97985-06210-00	SCREW, WITH WASHER	1	
17	63P-81337-10-00	COVER, FLYWHEEL	1	
18	6A0-82317-00-00	.DAMPER, IGNITION COIL	2	
19	90480-15M31-00	GROMMET	1	
20	90387-06285-00	COLLAR	1	

CONTINUED ON NEXT FRAME >


63PD370-P150

GENERATOR



Ref No.	Part Number	Description	Qty	Remarks
21	95895-06020-00	BOLT, FLANGE	1	
22	63P-8132G-10-00	PLATE	1	
23	97095-06016-00	BOLT	1	
24	92995-06600-00	WASHER	1	
25	6DA-42617-00-00	DAMPER, FORM	1	
26	63P-13437-62-00	MARK, CAUTION	1	EXCEPT JET-DRIVE
26	63P-13437-52-00	MARK, CAUTION	0	FOR JET-DRIVE
27	6EE-81994-40-00	LABEL, SAFETY	1	
28	6EE-81994-50-00	LABEL, SAFETY	1	



63PD370-P150