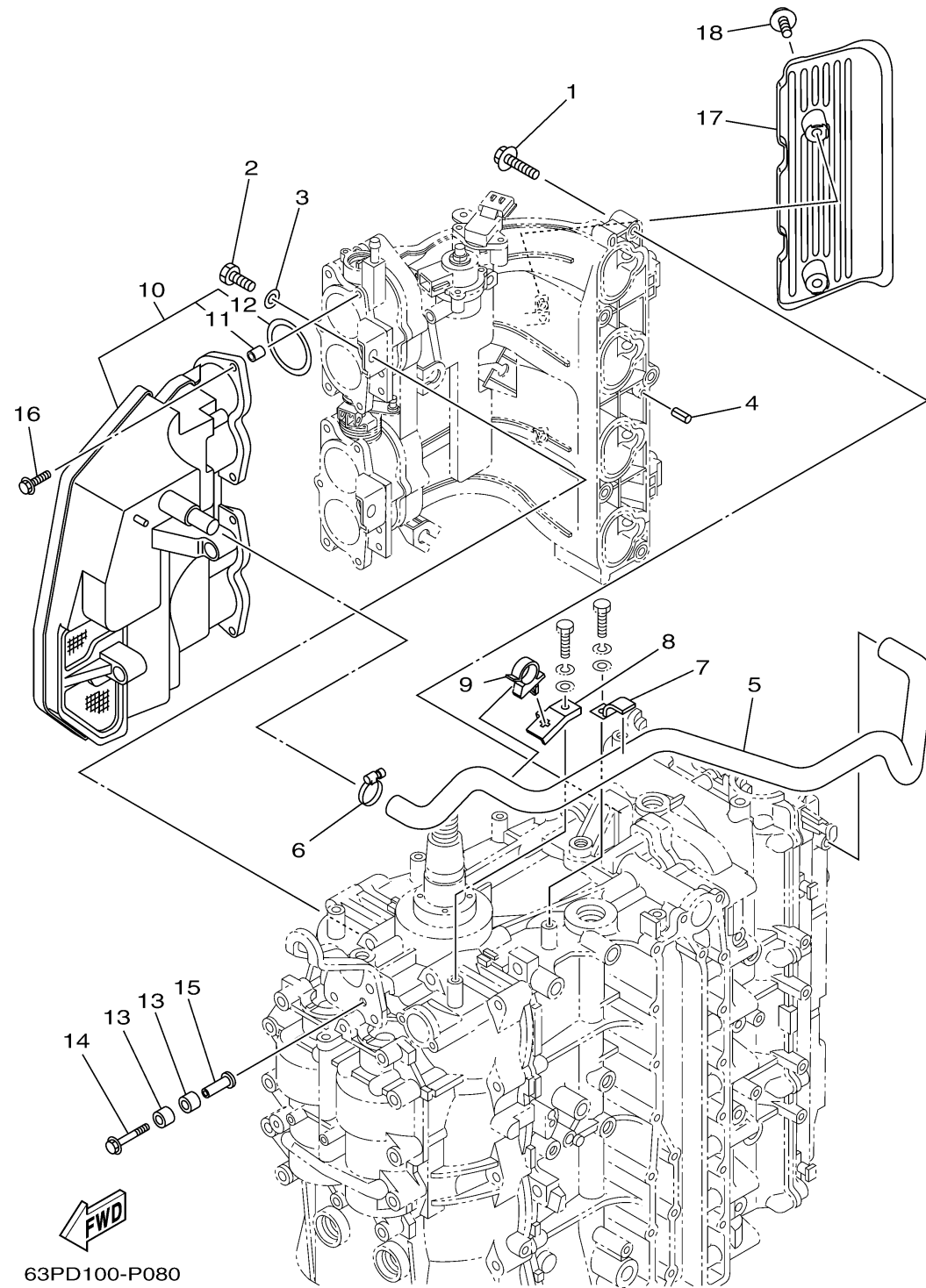


INTAKE 1



Ref No.	Part Number	Description	Qty	Remarks
1	97575-08540-00	BOLT, WITH WASHER	5	
2	97013-08020-00	BOLT	2	
3	92903-08600-00	WASHER, PLATE	2	
4	91690-50014-00	PIN, SPRING	2	
5	63P-15373-00-00	PIPE, BREATHER	1	
6	90450-22M14-00	HOSE CLAMP ASSY	1	
7	90462-10023-00	CLAMP	1	
8	63P-15378-00-00	HOLDER	1	
9	90464-20006-00	CLAMP	1	
10	63P-14440-00-00	SILENCER ASSY, INTAKE	1	
11	63P-14449-00-00	. .COLLAR	6	
12	63P-14457-00-00	. .SEAL	4	
13	90386-08001-00	BUSH	4	
14	90119-06076-00	BOLT, WITH WASHER	2	
15	90387-06280-00	COLLAR	2	
16	90119-06M82-00	BOLT, WITH WASHER	6	
17	63P-13564-00-00	COVER, MANIFOLD	1	
18	95895-06016-00	BOLT, FLANGE	2	