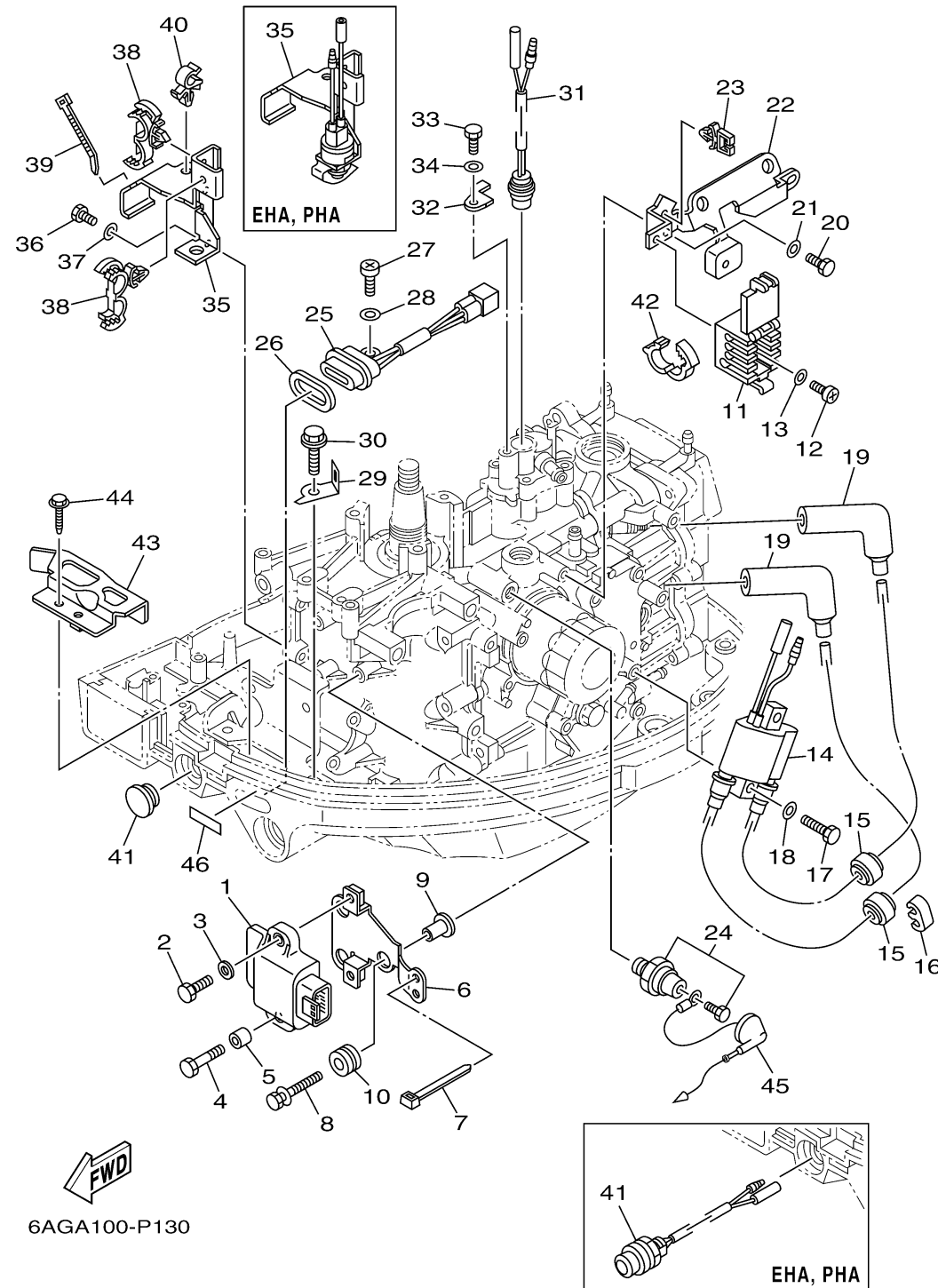


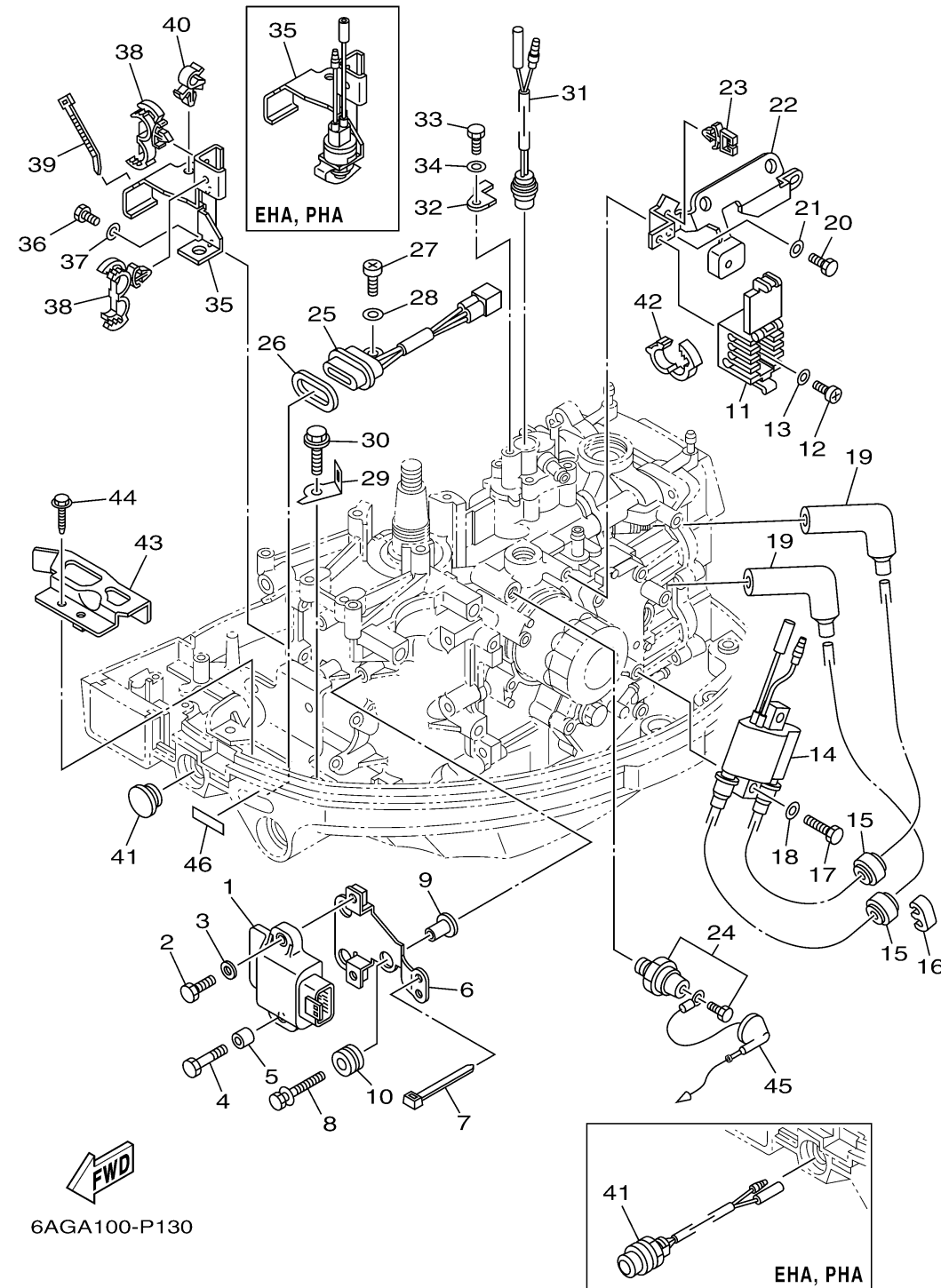
ELECTRICAL 1



Ref No.	Part Number	Description	Qty	Remarks
1	6AH-85540-00-00	C.D.I. UNIT ASSY	1	
2	97095-06020-00	BOLT	1	
3	92995-06600-00	WASHER	1	
4	97095-06030-00	BOLT	1	
5	90387-06M74-00	COLLAR	1	
6	6AH-81948-00-00	BRACKET	1	
7	90465-13M18-00	CLAMP	1	
8	90119-06M35-00	BOLT, WITH WASHER	3	
9	90387-06289-00	COLLAR	3	
10	90480-10M23-00	GROMMET	3	
11	6AH-82522-00-00	CLAMP, COUPLER	1	
12	97880-06010-00	SCREW, PAN HEAD	1	
13	90201-06M05-00	WASHER, PLATE	1	
14	6F5-85570-13-00	IGNITION COIL ASSY	1	
15	90480-25003-00	GROMMET	2	
16	67F-82361-00-00	CLAMP, CORD	1	
17	97095-06025-00	.BOLT	2	
18	92995-06600-00	WASHER	2	
19	6AH-82370-00-00	PLUG CAP ASSY	2	
20	97095-06014-00	BOLT	2	

CONTINUED ON NEXT FRAME >

ELECTRICAL 1



Ref No.	Part Number	Description	Qty	Remarks
21	92995-06600-00	WASHER	2	
22	6AH-85542-00-00	BRACKET	1	
23	90464-07M56-00	CLAMP	2	
24	64J-82504-00-00	OIL PRESSURE SWITCH ASSY	1	
25	62Y-84301-00-00	PILOT LIGHT ASSY 1	1	
26	6H4-83589-00-00	GASKET	1	
27	97885-06012-00	SCREW, PAN HEAD	1	
28	92995-06600-00	WASHER	1	
29	6AH-82388-00-00	PLATE	1	
30	90109-06M86-00	BOLT	1	
31	6AH-82560-00-00	THERMO SWITCH ASSY	1	
32	6AH-82588-00-00	PLATE	1	
33	97095-06014-00	BOLT	1	
34	92995-06600-00	WASHER	1	
35	6AH-82554-00-00	STAY, NEUTRAL SWITCH	1	
35	6AH-82540-01-00	NEUTRAL SWITCH ASSY	0	
36	97095-06016-00	BOLT	2	
37	92995-06600-00	WASHER	2	
38	90464-18246-00	CLAMP	2	
39	90465-13M18-00	CLAMP	1	

CONTINUED ON NEXT FRAME >

ELECTRICAL 1

Ref No.	Part Number	Description	Qty	Remarks
40	90464-10M32-00	CLAMP	1	
41	68T-81870-00-00	STARTING SWITCH ASSY	0	
41	6G1-42725-00-00	GROMMET	1	
42	90464-16003-00	CLAMP	1	
43	6AH-82389-00-00	PLATE 2	1	
44	90109-06M86-00	BOLT	1	
45	6AH-82553-10-00	EXTENSION, WIRE LEAD	1	
45	6AH-82553-00-00	EXTENSION, WIRE LEAD	0	
46	67C-85415-00-00	MARK, SIGNAL LAMP	1	

