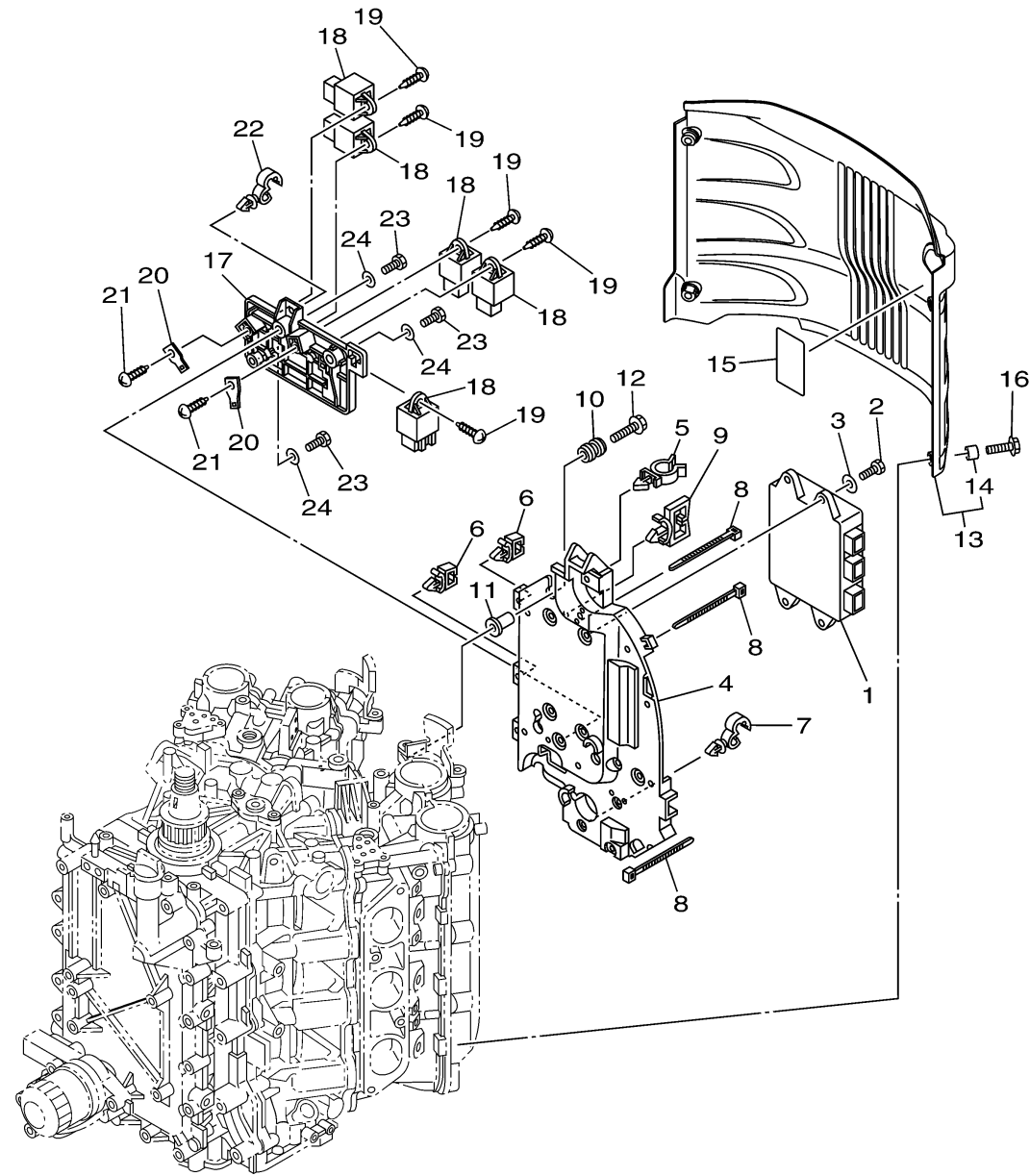


ELECTRICAL 2



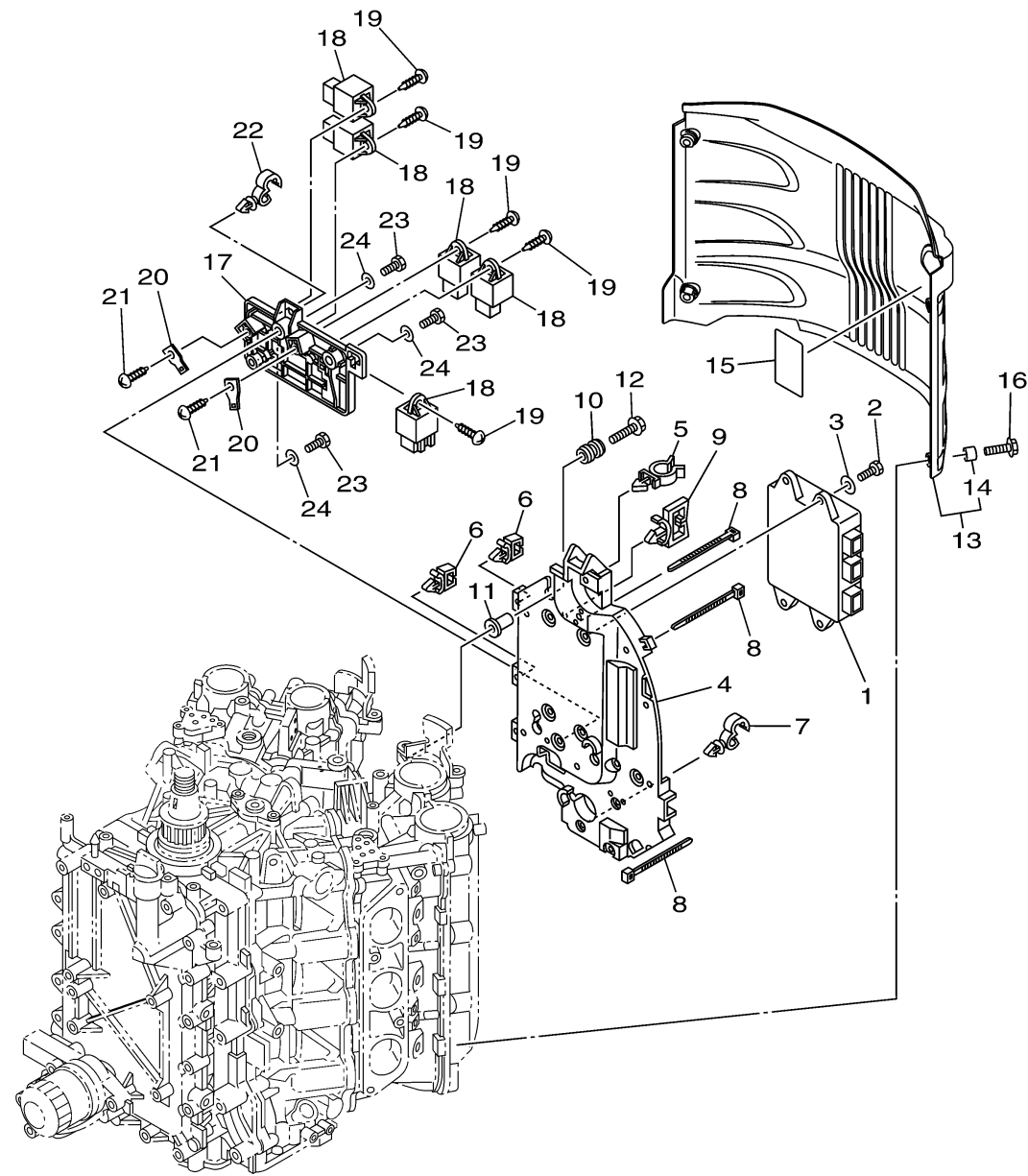
6ALC100-Q190

Ref No.	Part Number	Description	Qty	Remarks
1	6AL-8591A-14-00	ENGINE CONTROL UNIT ASSY	1	
2	97095-06020-00	BOLT	4	
3	92995-06600-00	WASHER	4	
4	6P2-82316-00-00	BRACKET, IGNITION COIL	1	
5	90464-19M45-00	CLAMP	1	
6	90464-11121-00	CLAMP	2	
7	90464-13249-00	CLAMP	1	
8	90465-14M66-00	CLAMP	3	
9	90464-23199-00	CLAMP	1	
10	6A0-82317-00-00	DAMPER, IGNITION COIL	4	
11	90387-06119-00	COLLAR	4	
12	90119-06M59-00	BOLT, WITH WASHER	4	
13	6P2-82314-10-00	COVER, IGNITION COIL	1	
14	90387-06044-00	..COLLAR	4	
15	6P2-42735-00-00	PROTECTOR	1	
16	90119-06M92-00	BOLT, WITH WASHER	4	
17	6P2-81952-00-00	HOLDER, RELAY	1	
18	68V-81950-00-00	RELAY ASSY	5	
19	97780-60620-00	SCREW, TAPPING	5	
20	6P2-83635-00-00	BRACKET	2	

CONTINUED ON NEXT FRAME >

ELECTRICAL 2

Ref No.	Part Number	Description	Qty	Remarks
21	97780-60620-00	SCREW, TAPPING	2	
22	90464-13249-00	CLAMP	1	
23	97095-06020-00	BOLT	3	
24	92995-06600-00	WASHER	3	



6ALC100-Q190