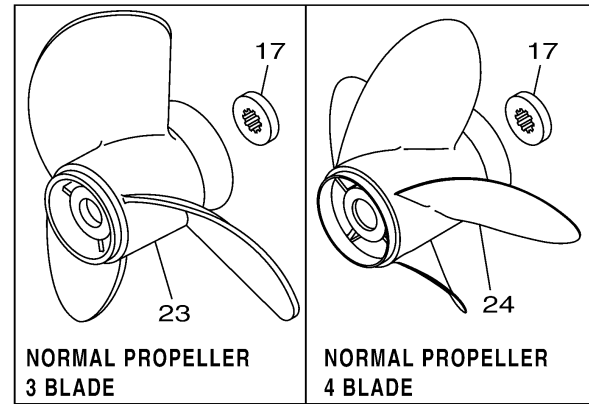
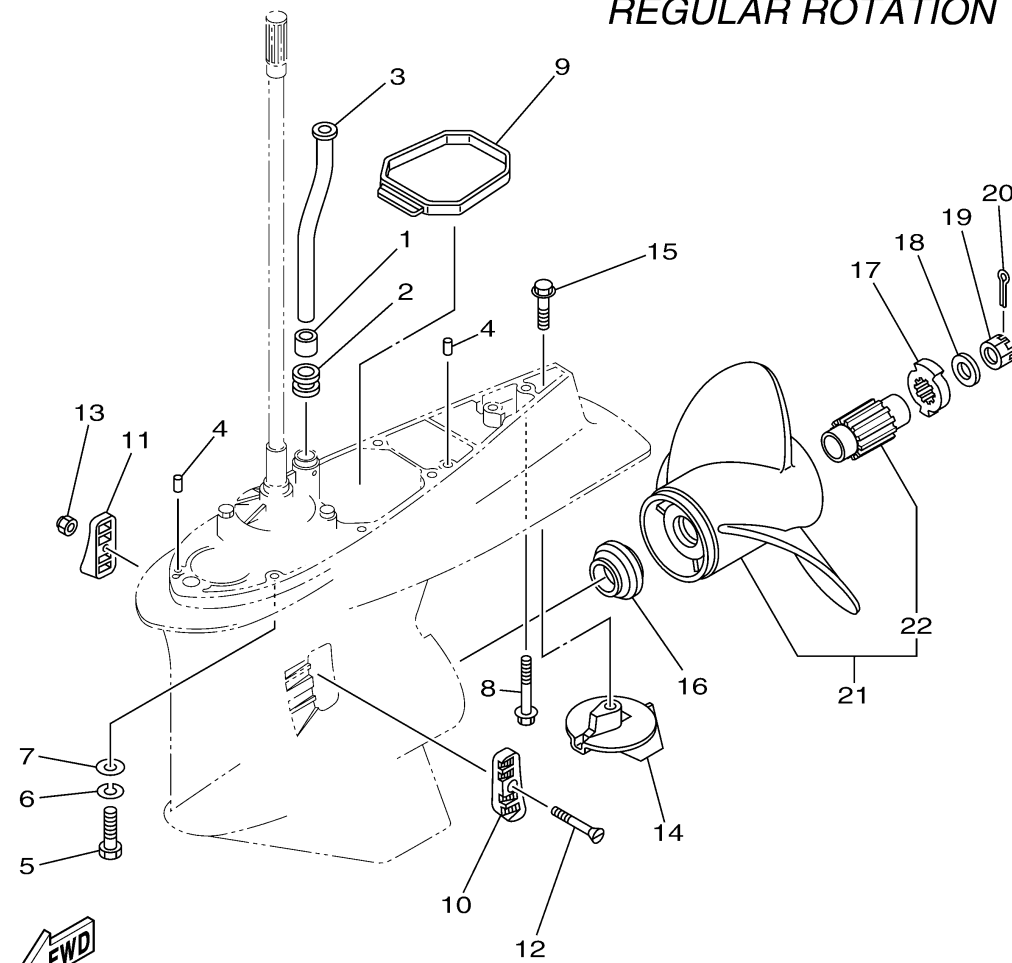


LOWER CASING DRIVE 2



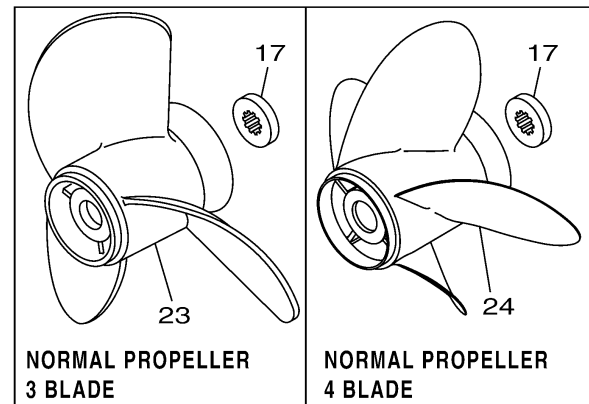
REGULAR ROTATION



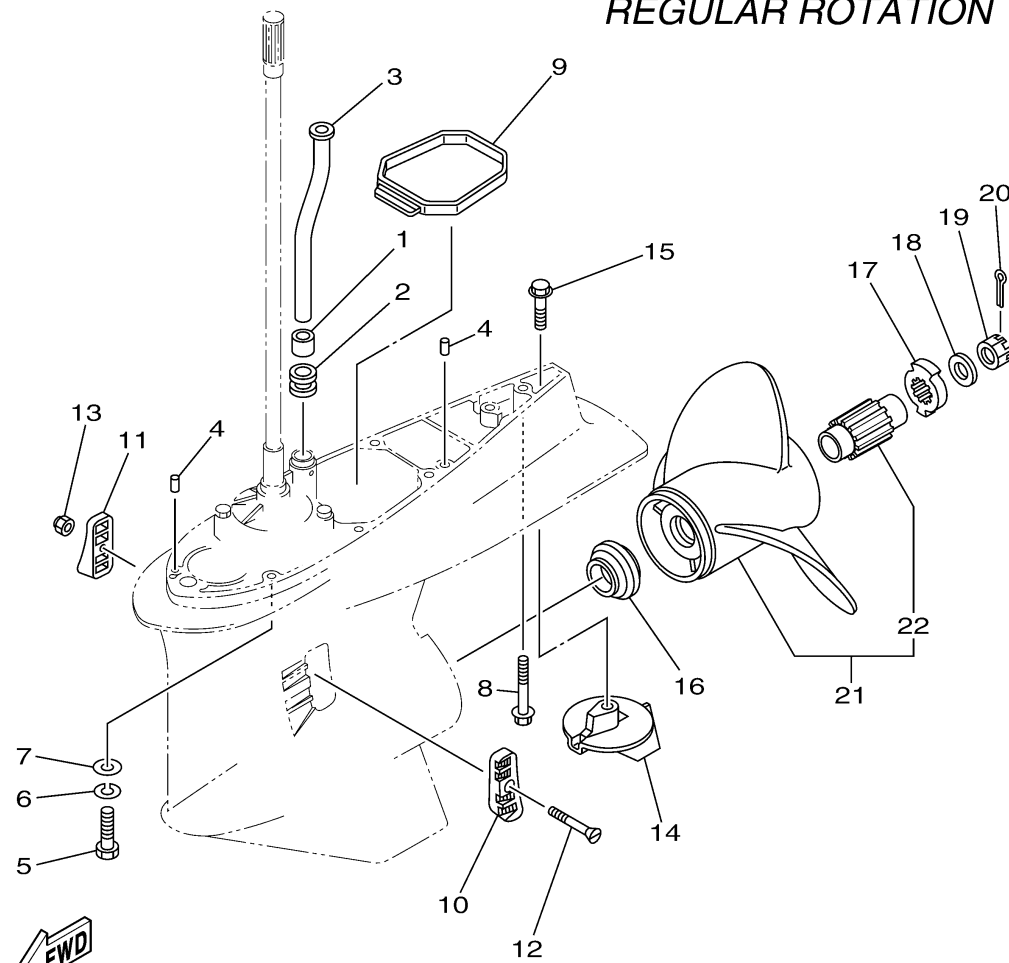
6AL9100-M320

| Ref No. | Part Number | Description | Qty | Remarks |
|---------|-----------------|-----------------------|-----|-----------------|
| 1 | 6E5-44365-00-00 | .DAMPER, WATER SEAL 1 | 1 | |
| 2 | 6E5-44366-00-00 | .DAMPER, WATER SEAL 2 | 1 | |
| 3 | 6S1-44361-02-00 | TUBE, WATER 1 | 1 | X(25.3") |
| 4 | 93608-12M05-00 | PIN, DOWEL | 2 | |
| 5 | 97095-10045-00 | BOLT | 7 | X(25.3") |
| 6 | 92995-10100-00 | WASHER | 7 | X(25.3") |
| 7 | 92995-10600-00 | WASHER | 7 | X(25.3") |
| 8 | 90119-10MA2-00 | BOLT, WITH WASHER | 1 | X(25.3") |
| 9 | 69J-45375-00-00 | DAMPER, SEAL | 1 | |
| 10 | 61A-45214-11-00 | COVER, WATER INLET 1 | 1 | |
| 11 | 61A-45215-11-00 | COVER, WATER INLET 2 | 1 | |
| 12 | 90152-05003-00 | SCREW, COUNTERSUNK | 1 | |
| 13 | 90185-05002-00 | NUT, NYLON | 1 | |
| 14 | 61A-45371-00-00 | TAB-TRIM | 1 | |
| 15 | 90105-10M00-00 | BOLT, FLANGE | 1 | |
| 16 | 69J-45987-00-00 | SPACER 1 | 1 | |
| 17 | 688-45997-01-00 | SPACER 2 | 1 | AP NORMAL PROP. |
| 17 | 6CE-45997-00-00 | SPACER 2 | 1 | FOR SDS PROP. |
| 18 | 92990-18200-00 | WASHER | 1 | |
| 19 | 90171-18M04-00 | NUT, CASTLE | 1 | |

CONTINUED ON NEXT FRAME >



REGULAR ROTATION



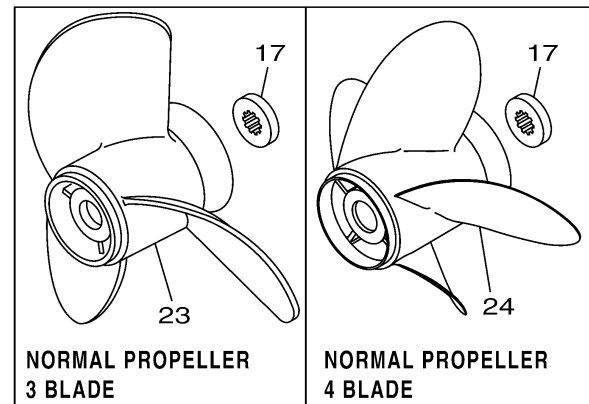
6AL9100-M320

LOWER CASING DRIVE 2

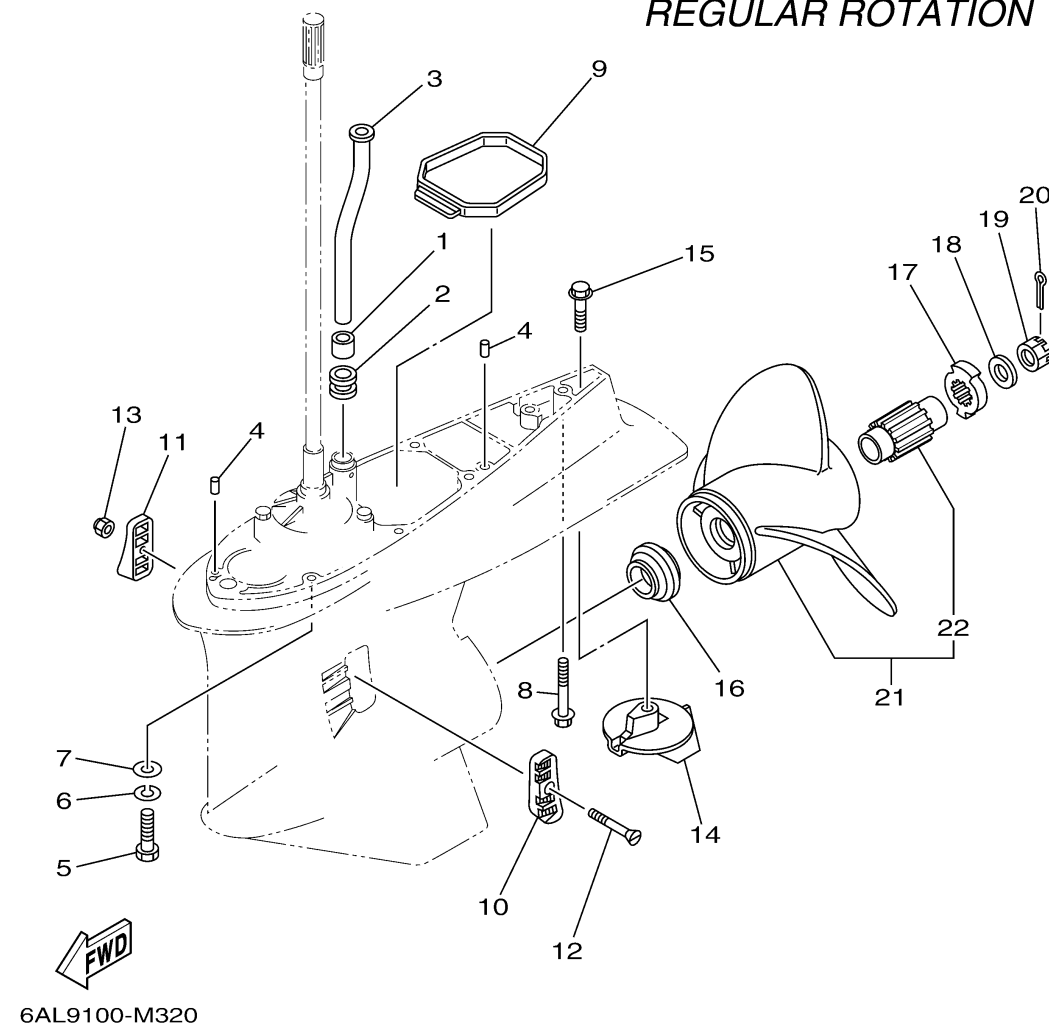
| Ref No. | Part Number | Description | Qty | Remarks |
|---------|-----------------|------------------------------|-----|-------------------|
| 20 | 91490-40030-00 | PIN, COTTER | 1 | |
| 21 | 6CE-45978-00-00 | PROPELLER (3X15-1/2"X17"-T) | 1 | UR SDS PROP. |
| 21 | 6CE-45934-00-00 | PROPELLER (3X15-1/4"X18"-T) | 1 | UR SDS PROP. |
| 21 | 6CE-45932-00-00 | PROPELLER (3X15"X20"-T) | 1 | UR SDS PROP. |
| 21 | 6CE-45930-00-00 | PROPELLER (3X15-3/4"X13"-T) | 1 | UR SDS PROP. |
| 21 | 6CE-45970-00-00 | PROPELLER (3X15-1/4"X19"-T) | 1 | UR SDS PROP. |
| 21 | 6CE-45972-00-00 | PROPELLER (3X15"X21"-T) | 1 | UR SDS PROP. |
| 21 | 6CE-45974-00-00 | PROPELLER (3X14-3/4"X23"-T) | 1 | UR SDS PROP. |
| 21 | 6CE-45976-00-00 | PROPELLER (3X15-3/4"X15"-T) | 1 | UR SDS PROP. |
| 22 | 6CE-45C81-00-00 | . DAMPER RUBBER, PROPELLER | 1 | |
| 23 | 6R4-45976-A0-00 | PROPELLER (3X14-1/2"X15"-M) | 1 | AP NORMAL 3 BLADE |
| 23 | 6G5-45978-03-00 | PROPELLER (3X13-3/4"X17"-M2) | 1 | AP NORMAL 3 BLADE |
| 23 | 61A-45974-00-00 | PROPELLER (3X14-1/2"X19"-T) | 1 | AP NORMAL 3 BLADE |
| 23 | 61A-45972-00-00 | PROPELLER (3X14-1/2"X21"-T) | 1 | AP NORMAL 3 BLADE |
| 23 | 61A-45978-00-00 | PROPELLER (3X15"X17"-T) | 1 | AP NORMAL 3 BLADE |
| 23 | 6G5-45972-02-00 | PROPELLER (3X13-3/4"X21"-M) | 1 | AP NORMAL 3 BLADE |
| 23 | 6G5-45974-03-00 | PROPELLER (3X13-3/4"X19"-M2) | 1 | AP NORMAL 3 BLADE |
| 23 | 6R4-45978-A0-00 | PROPELLER (3X15-1/4"X17"-M) | 1 | AP NORMAL 3 BLADE |
| 23 | 6R4-45972-A0-00 | PROPELLER (3X14-7/8"X21"-M) | 1 | AP NORMAL 3 BLADE |
| 23 | 6G5-45970-02-00 | PROPELLER (3X15-1/4"X15"-M) | 1 | AP NORMAL 3 BLADE |

CONTINUED ON NEXT FRAME >

LOWER CASING DRIVE 2



REGULAR ROTATION



| Ref No. | Part Number | Description | Qty | Remarks |
|---------|-----------------|-----------------------------|-----|-------------------|
| 23 | 6R4-45970-A1-00 | PROPELLER (3X15-1/4"X19"-M) | 1 | AP NORMAL 3 BLADE |
| 23 | 6R4-45974-A0-00 | PROPELLER (3X14-1/2"X23"-M) | 1 | AP NORMAL 3 BLADE |
| 24 | 6BR-45B70-00-00 | PROPELLER (4X15"X21"-T) | 1 | AP NORMAL 4 BLADE |
| 24 | 6BR-45B74-00-00 | PROPELLER (4X15"X23"-T) | 1 | AP NORMAL 4 BLADE |
| 24 | 6BR-45B72-00-00 | PROPELLER (4X15"X22"-T) | 1 | AP NORMAL 4 BLADE |