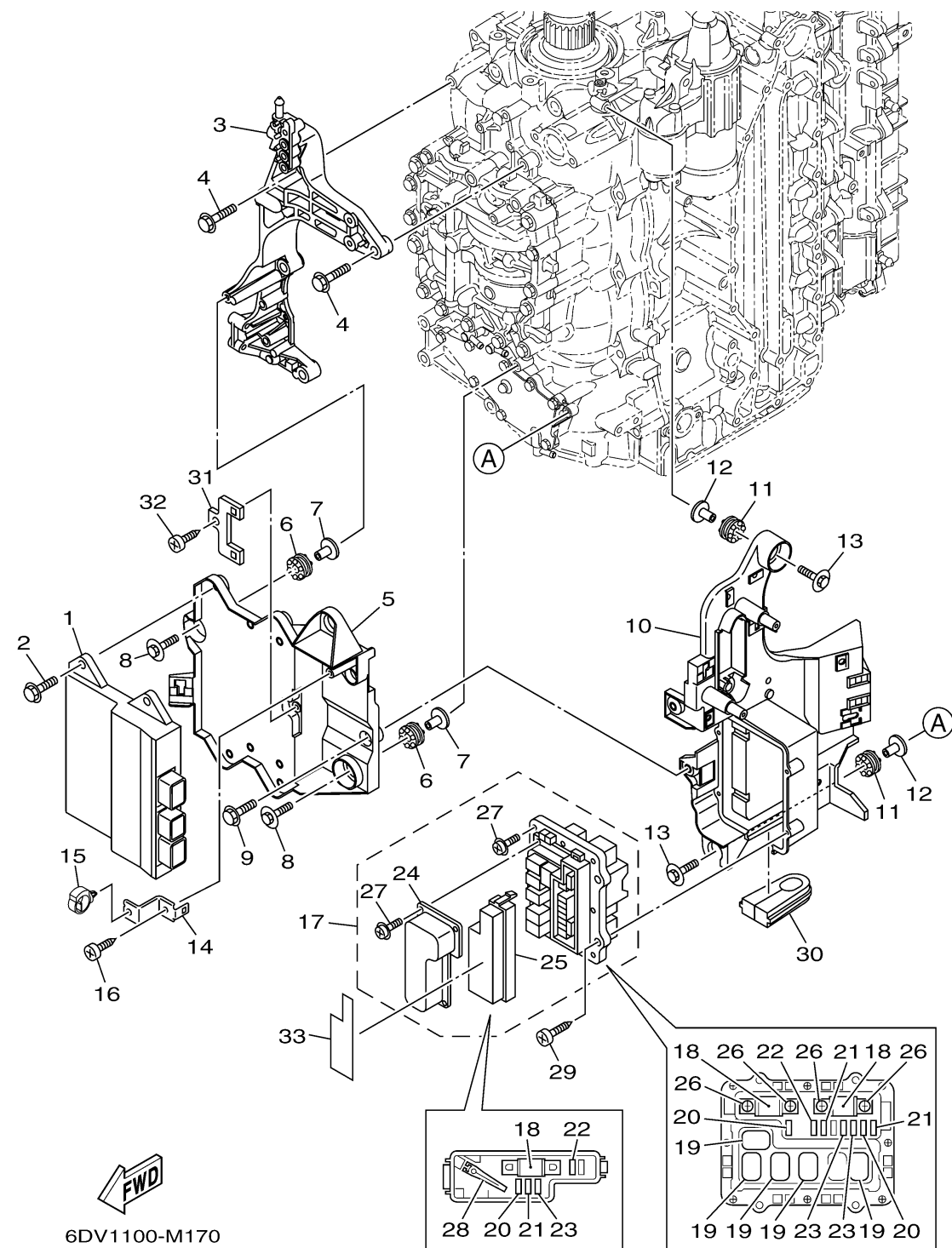


ELECTRICAL 1

Ref No.	Part Number	Description	Qty	Remarks
1	6DV-8591A-10-00	ENGINE CONTROL UNIT ASSY	1	
2	95895-06020-00	BOLT, FLANGE	4	
3	6DA-85991-00-00	BRACKET, UNIT	1	
4	95875-08035-00	BOLT, FLANGE	4	
5	6DA-81948-00-00	BRACKET	1	
6	68F-85516-01-00	SPACER	3	
7	90387-06176-00	COLLAR	3	
8	68F-85119-00-00	BOLT	3	
9	95895-06016-00	BOLT, FLANGE	2	
10	6DA-81952-00-00	HOLDER, RELAY	1	
11	68F-85516-01-00	SPACER	3	
12	90387-06176-00	COLLAR	3	
13	68F-85119-00-00	BOLT	3	
14	6DA-85548-01-00	HOLDER	1	
15	90464-20181-00	CLAMP	1	
16	97780-60620-00	SCREW, TAPPING	1	
17	6DV-82170-11-00	FUSE BOX ASSY	1	
18	6P2-82151-00-00	. . FUSE (60A)	3	
19	6AW-8195A-00-00	. . RELAY ASSY	5	
20	67F-82151-40-00	. FUSE (10A)	3	

CONTINUED ON NEXT FRAME >



ELECTRICAL 1

Ref No.	Part Number	Description	Qty	Remarks
21	67F-82151-50-00	..FUSE (15A)	3	
22	67F-82151-00-00	..FUSE (20A)	2	
23	67F-82151-10-00	..FUSE (30A)	3	
24	6CB-81639-10-00	..COVER	1	
25	6CB-85544-00-00	..CASE	1	
26	68F-82846-00-00	..SCREW, PAN HEAD (M5)	4	
27	6P2-82113-00-00	..SCREW (M3)	13	
28	67F-2812A-00-00	..PULLER, FUSE	1	
29	97780-50620-00	SCREW, TAPPING	4	
30	6DA-81336-00-00	GROMMET	1	
31	6C5-8257V-00-00	PLATE, CONNECTOR	1	
32	97780-60620-00	SCREW, TAPPING	1	
33	6DV-81919-00-00	GRAPHIC, REGULATOR	1	