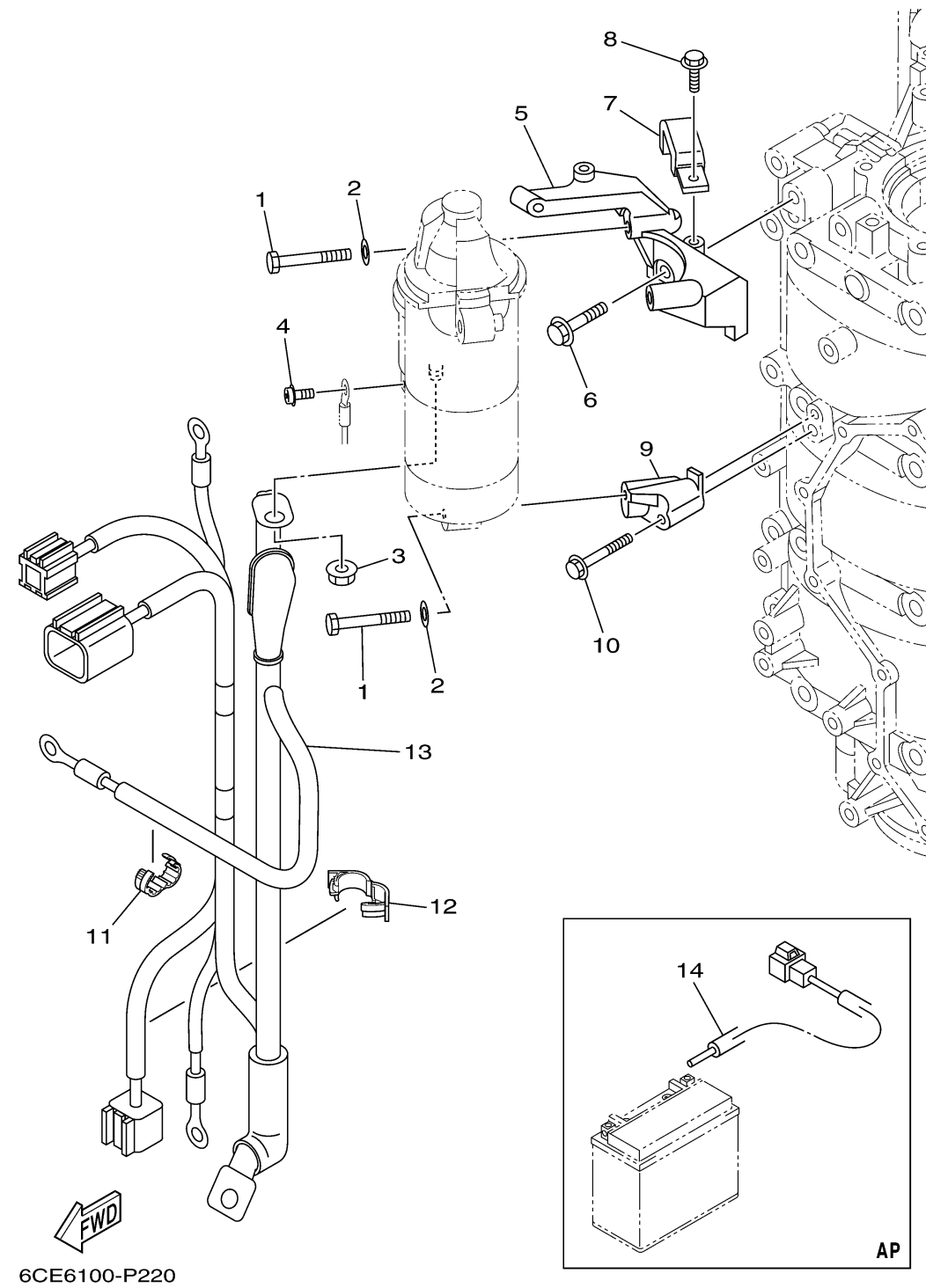


ELECTRICAL 5



Ref No.	Part Number	Description	Qty	Remarks
1	97013-08045-00	BOLT	3	
2	92903-08600-00	WASHER, PLATE	3	
3	90179-08003-00	NUT	1	
4	97985-04308-00	SCREW, WITH WASHER	1	
5	6CB-81822-02-00	BRACKET, STARTING MOTOR	1	
6	90105-08M87-00	BOLT, FLANGE	2	
7	6CB-81443-00-00	CLAMP, LEAD 1	1	
8	95895-06016-00	BOLT, FLANGE	1	
9	6CB-81823-A0-00	STAY, STARTING MOTOR	1	
10	90105-06151-00	BOLT, FLANGE	1	
11	90464-13227-00	CLAMP	1	
12	90464-18004-00	CLAMP	1	
13	6CE-8259M-00-00	WIRE HARNESS ASSY 2	1	
14	6CE-81949-00-00	WIRE, LEAD (ISOLATOR CABLE)	1	AP