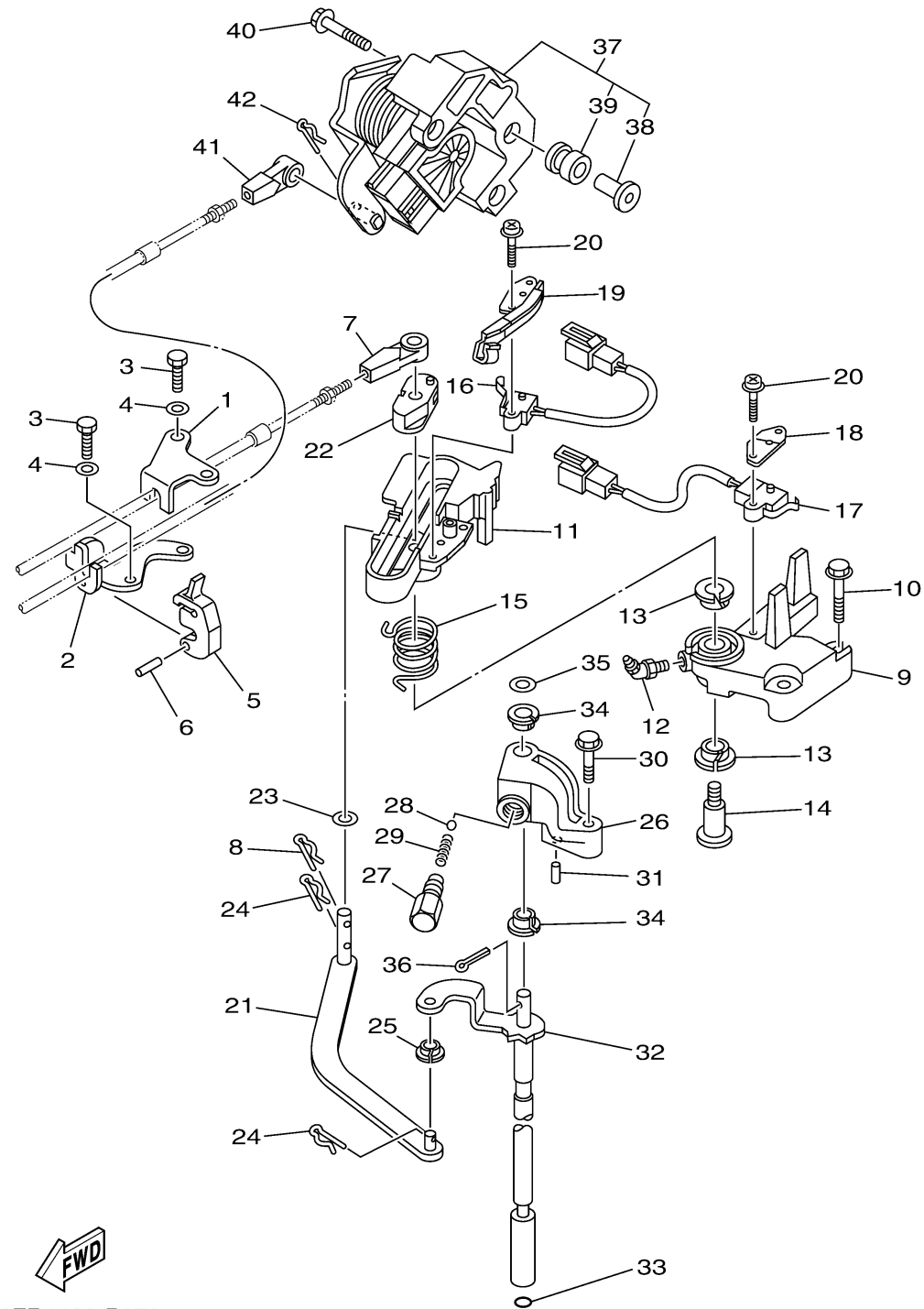


CONTROL

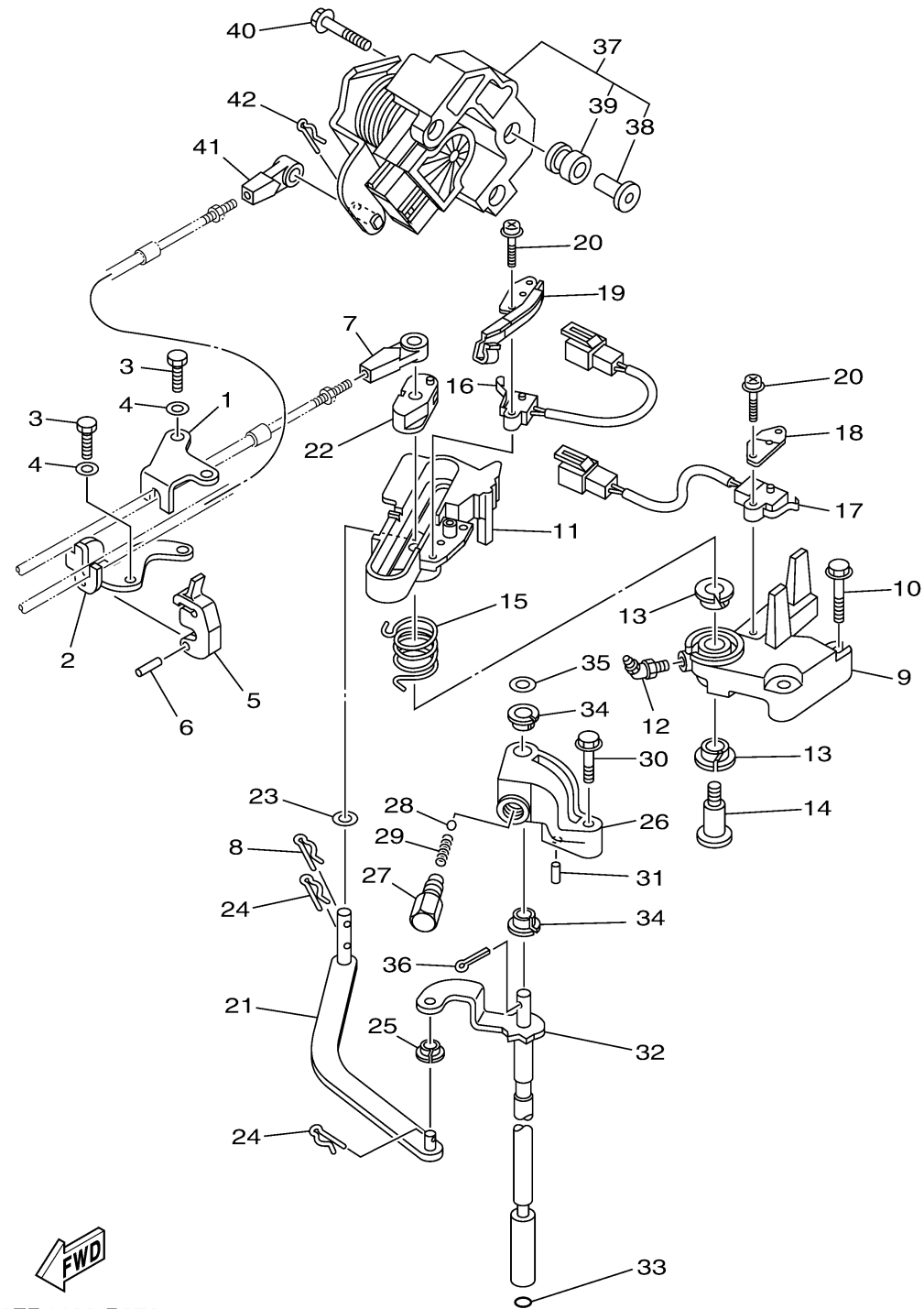


Ref No.	Part Number	Description	Qty	Remarks
1	6CB-48531-00-00	BRACKET, REMOTE CONTROL 1	1	
2	6CB-48532-00-00	BRACKET, REMOTE CONTROL 2	1	
3	97095-06016-00	BOLT	4	
4	92995-06600-00	WASHER	4	
5	6E5-48538-00-00	CLAMP, CABLE	1	
6	91690-30010-00	PIN, SPRING	1	
7	6E5-48344-00-00	CABLE END, REMOTE CONTROL	1	
8	90468-18008-00	CLIP	1	
9	6CB-44117-00-00	BRACKET	1	
10	95895-06035-00	BOLT, FLANGE	2	
11	69J-44176-01-00	BRACKET	1	
12	93700-06M01-00	NIPPLE, GREASE	1	
13	90386-12069-00	BUSH	2	
14	90109-08019-00	BOLT	1	
15	90508-20052-00	SPRING, TORSION	1	
16	60V-8259F-00-00	SWITCH ASSY	1	
17	69J-8259F-00-00	SWITCH ASSY	1	
18	61A-82588-01-00	PLATE	1	
19	6CB-82588-00-00	PLATE	1	
20	97985-04116-00	SCREW, WITH WASHER	4	

CONTINUED ON NEXT FRAME >


6FR1100-P270

CONTROL

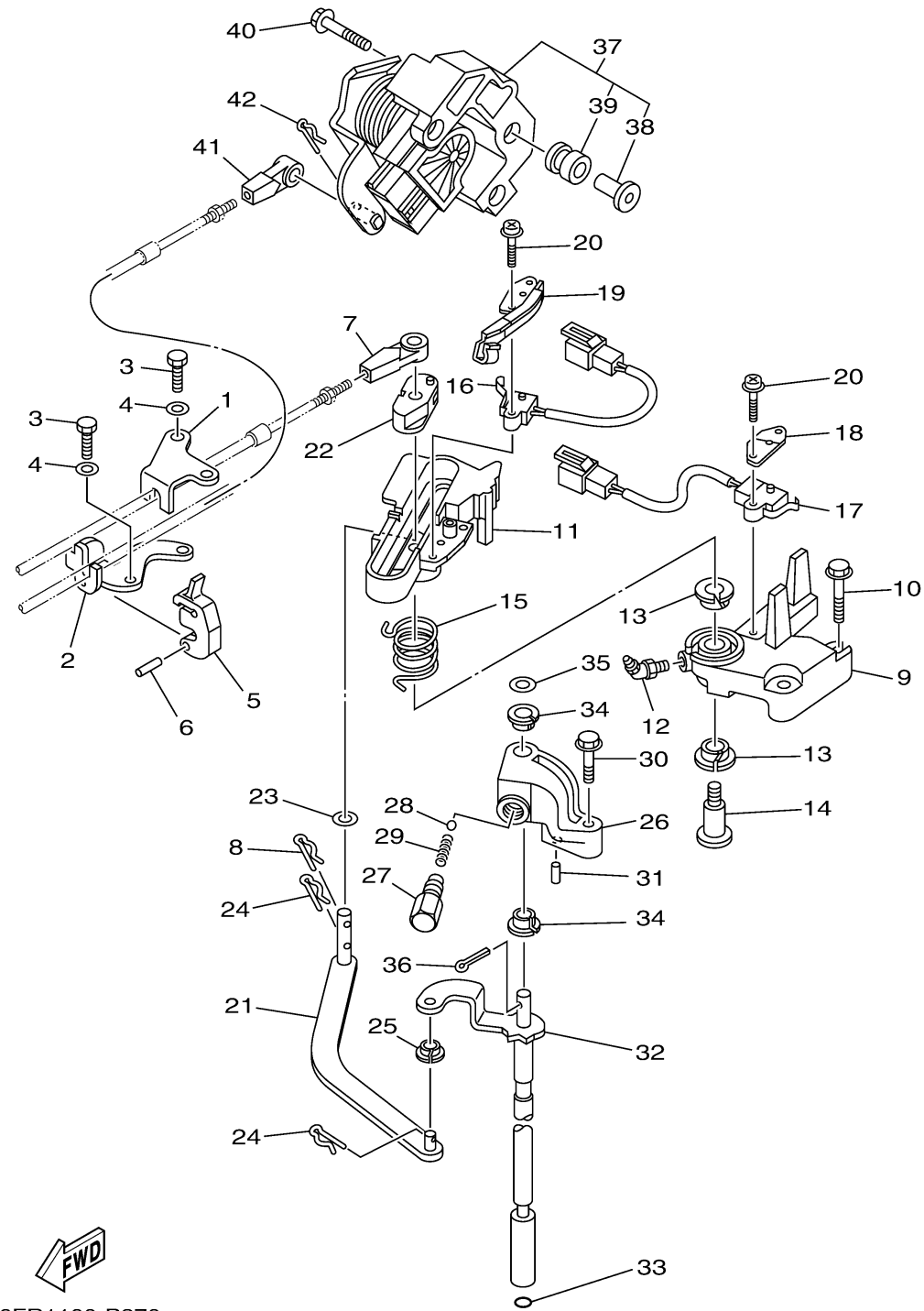


6FR1100-P270

Ref No.	Part Number	Description	Qty	Remarks
21	6CB-44121-00-00	LEVER, SHIFT ROD	1	
22	69J-44122-00-00	BUSHING, SHIFT ROD LEVER	1	
23	90202-08M20-00	WASHER, PLATE	1	
24	90468-18008-00	CLIP	2	
25	90386-06M12-00	BUSH	1	
26	69J-44118-00-00	BRACKET	1	
27	648-42715-00-00	BUSHING	1	
28	93501-04M02-00	BALL	1	
29	90501-12082-00	SPRING, COMPRESSION	1	
30	97575-06535-00	BOLT, WITH WASHER	1	
31	91690-30010-00	PIN, SPRING	1	
32	6FR-44120-00-00	HANDLE GEAR SHIFT ASSY	1	
33	93210-09165-00	O-RING	1	
34	90386-90M90-00	BUSH	2	
35	90201-09M02-00	WASHER, PLATE	1	
36	91490-20015-00	PIN. COTTER	1	
37	6CB-8A410-10-00	SENSOR UNIT	1	
38	6P2-44139-00-00	..COLLAR	3	
39	6CB-41273-00-00	..GROMMET	3	
40	90119-06126-00	BOLT, WITH WASHER	3	

CONTINUED ON NEXT FRAME >

CONTROL



6FR1100-P270

Ref No.	Part Number	Description	Qty	Remarks
41	6E5-48344-00-00	CABLE END, REMOTE CONTROL	1	
42	90468-18008-00	CLIP	1	