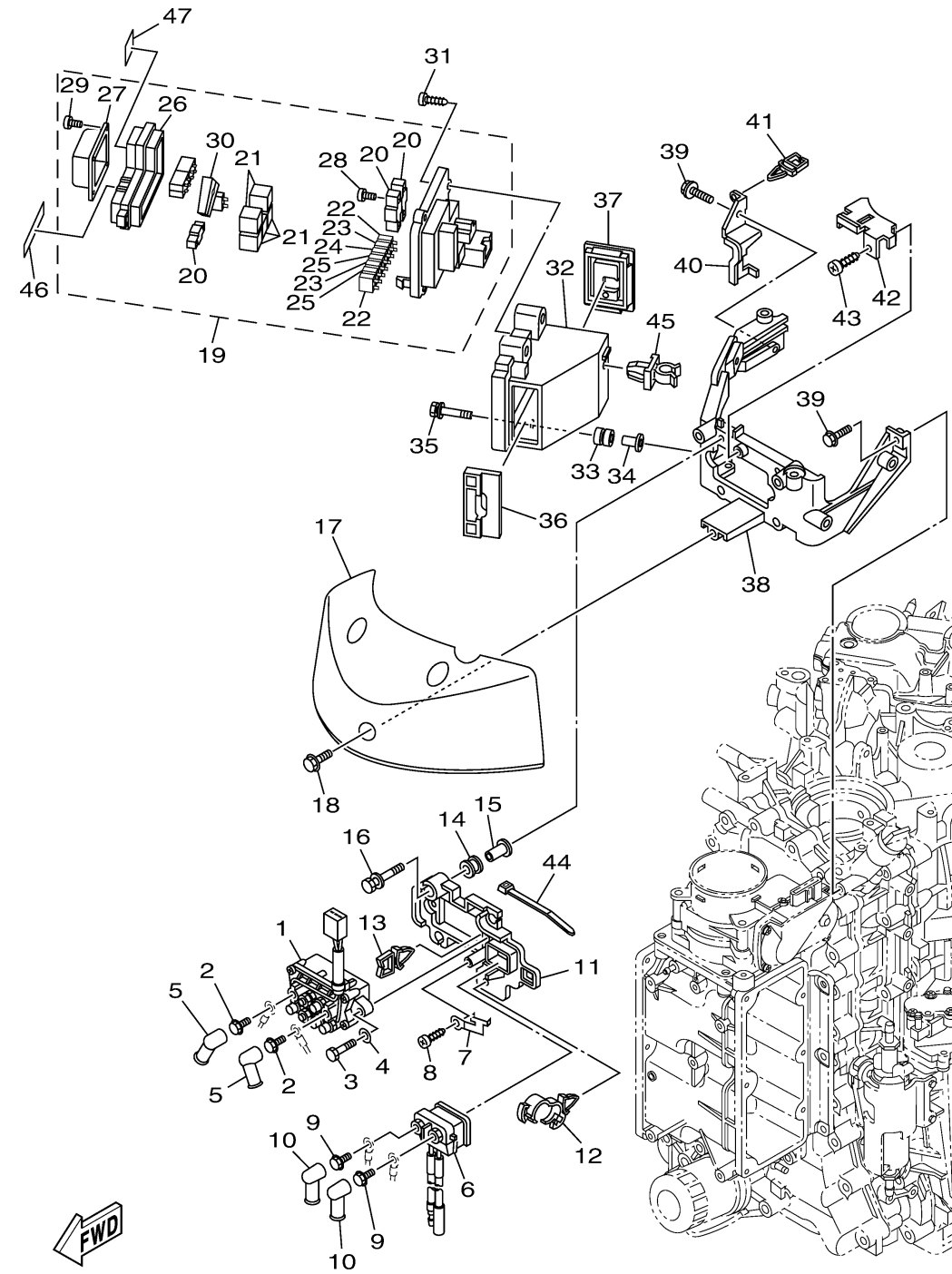


# ELECTRICAL 2

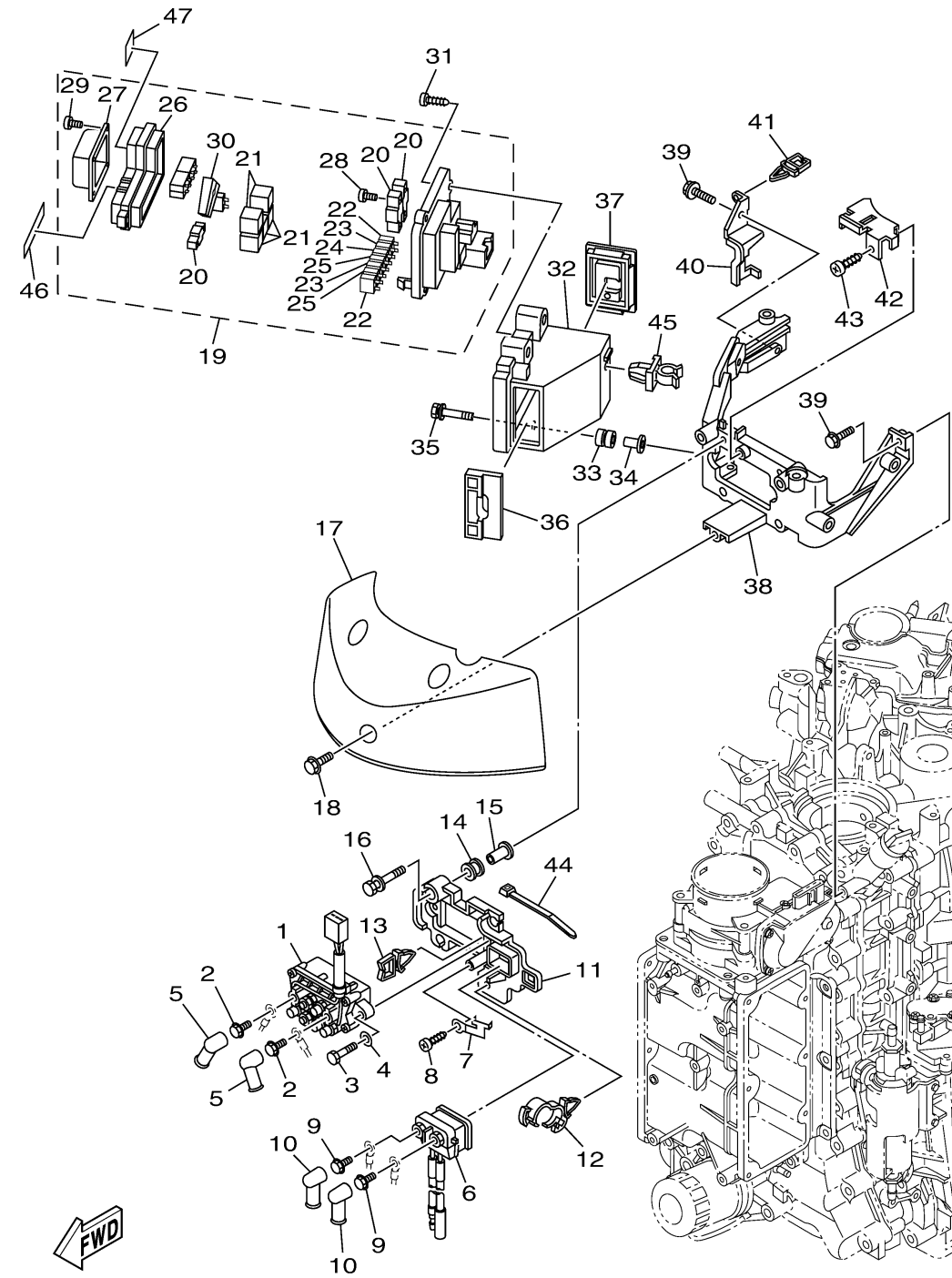


6AW9100-P200

Ref No.	Part Number	Description	Qty	Remarks
1	6AW-81950-00-00	RELAY ASSY	1	
2	97595-06610-00	BOLT, WITH WASHER	2	
3	97013-06020-00	BOLT	2	
4	92903-06600-00	WASHER, PLATE	2	
5	6G5-82119-10-00	COVER, LEAD WIRE	2	
6	6AW-8194A-00-00	RELAY	1	
7	68V-81953-00-00	STAY, RELAY	1	
8	97780-60620-00	SCREW, TAPPING	1	
9	97595-06610-00	BOLT, WITH WASHER	2	
10	6G5-82119-00-00	COVER, LEAD WIRE	2	
11	6AW-81952-00-00	HOLDER, RELAY	1	
12	90464-12183-00	CLAMP	1	
13	90464-11121-00	CLAMP	1	
14	6A0-82317-00-00	DAMPER, IGNITION COIL	4	
15	90387-06119-00	COLLAR	4	
16	90119-06M59-00	BOLT, WITH WASHER	4	
17	6AW-81942-00-00	COVER	1	
18	95895-06016-00	BOLT, FLANGE	3	
19	6AW-82170-03-00	FUSE BOX ASSY	1	
20	6P2-82151-00-00	. . FUSE (60A)	3	

CONTINUED ON NEXT FRAME >

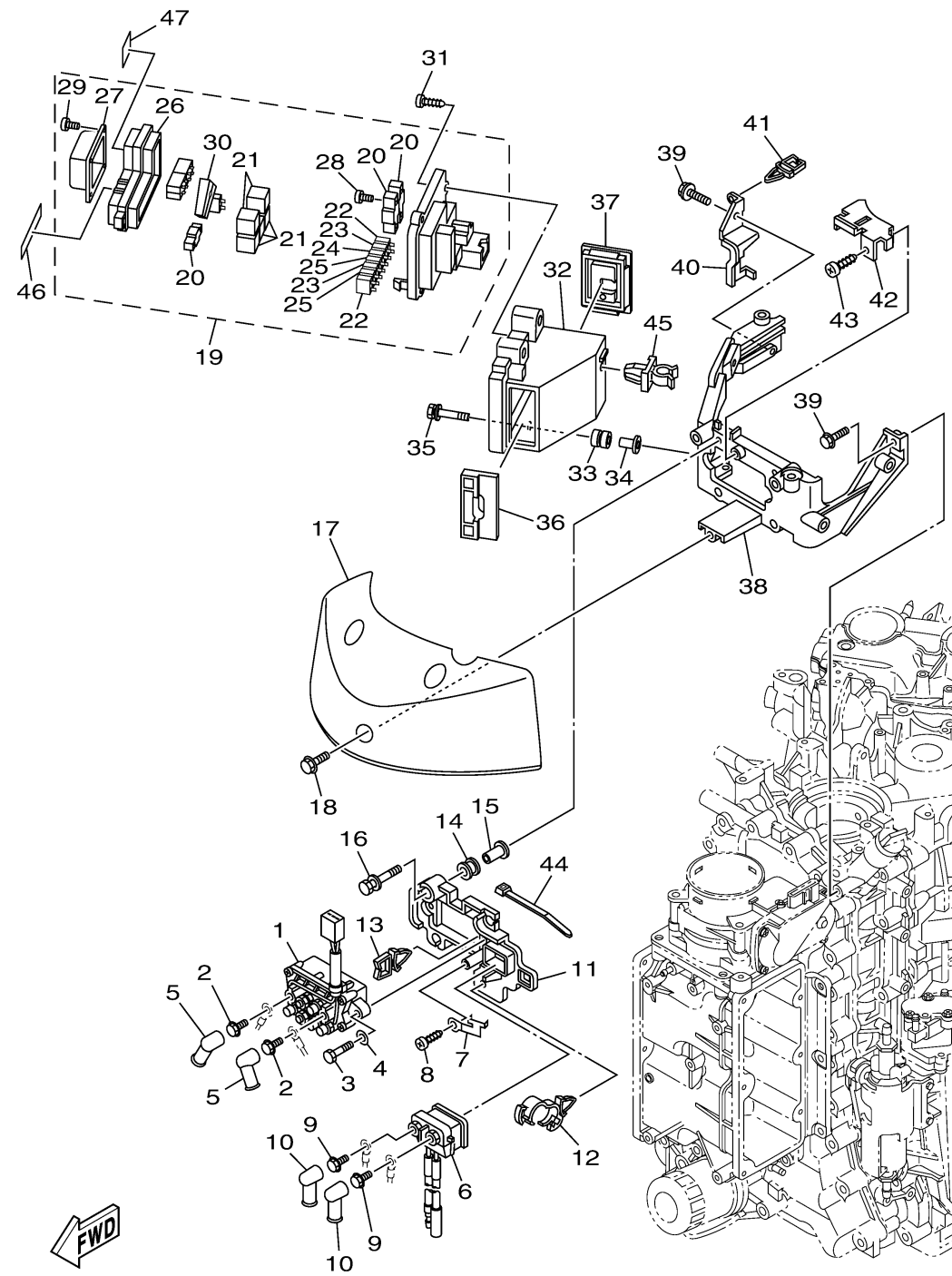
## ELECTRICAL 2



6AW9100-P200

Ref No.	Part Number	Description	Qty	Remarks
21	6AW-8195A-00-00	..RELAY ASSY	5	
22	67F-82151-40-00	..FUSE (10A)	3	
23	67F-82151-50-00	..FUSE (15A)	3	
24	67F-82151-00-00	..FUSE (20A)	2	
25	67F-82151-10-00	..FUSE (30A)	3	
26	6P2-85544-00-00	..CASE	1	
27	6P2-81639-10-00	..COVER	1	
28	68F-82846-00-00	..SCREW, PAN HEAD (M5)	4	
29	6P2-82113-00-00	..SCREW	4	
30	67F-2812A-00-00	..PULLER, FUSE	1	
31	97780-50620-00	SCREW, TAPPING	4	
32	6AW-82171-00-00	STAY, FUSE BOX	1	
33	6A0-82317-00-00	DAMPER, IGNITION COIL	3	
34	90387-06119-00	COLLAR	3	
35	90119-06M59-00	BOLT, WITH WASHER	3	
36	6AW-82572-00-00	GROMMET 1	1	
37	6AW-82573-00-00	GROMMET 2	1	
38	6AW-81948-00-00	BRACKET	1	
39	95895-06020-00	BOLT, FLANGE	4	
40	6AW-81678-00-00	CLAMP 2	1	

CONTINUED ON NEXT FRAME >



6AW9100-P200

## ELECTRICAL 2

Ref No.	Part Number	Description	Qty	Remarks
41	90464-11121-00	CLAMP	1	
42	6AW-81443-00-00	CLAMP, LEAD 1	1	
43	97780-50514-00	SCREW, TAPPING	1	
44	90465-11M10-00	CLAMP	2	
45	90464-09008-00	CLAMP	1	
46	6AW-81919-20-00	GRAPHIC, REGULATOR	1	
47	6AW-81919-31-00	GRAPHIC, REGULATOR	1	