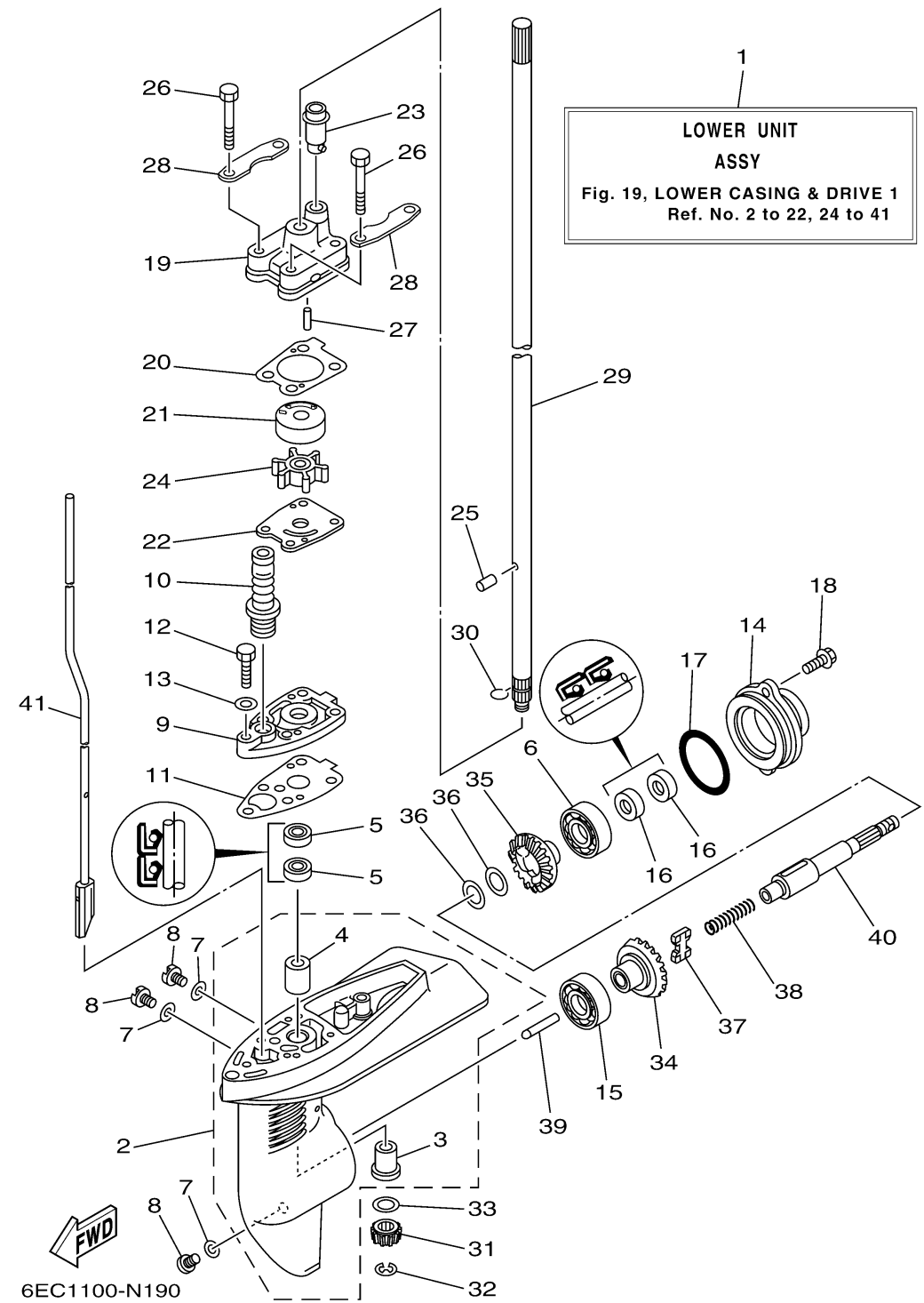


LOWER CASING DRIVE 1

Ref No.	Part Number	Description	Qty	Remarks
1	6EE-G5300-00-8D	LOWER UNIT ASSY	1	S(17.2")
1	6EE-G5300-10-8D	LOWER UNIT ASSY	0	L(22.2")
2	6EE-G5311-00-8D	CASING, LOWER	1	
3	6E0-45317-09-00	.BUSHING, DRIVE SHAFT	1	
4	6E0-45316-09-00	.BUSHING, DRIVE SHAFT	1	
5	93101-10811-00	.OIL SEAL	2	
6	93306-054YU-00	BEARING	1	
7	90430-08003-00	.GASKET	3	
8	90340-08002-00	PLUG, STRAIGHT SCREW	3	
9	6EE-G5321-00-CA	PLATE	1	
10	6EE-G4147-00-00	BOOT, SHIFT ROD	1	
11	6EE-G5315-00-00	.PACKING, LOWER CASING	1	
12	97095-06025-00	BOLT	1	
13	92995-06600-00	WASHER	1	
14	6EE-G5361-00-8D	CAP, LOWER CASING	1	
15	93306-054YU-00	BEARING	1	
16	93101-13800-00	.OIL SEAL	2	
17	93210-48800-00	.O-RING	1	
18	95895-06016-00	BOLT, FLANGE	2	
19	6EE-G4311-00-00	.HOUSING, WATER PUMP	1	

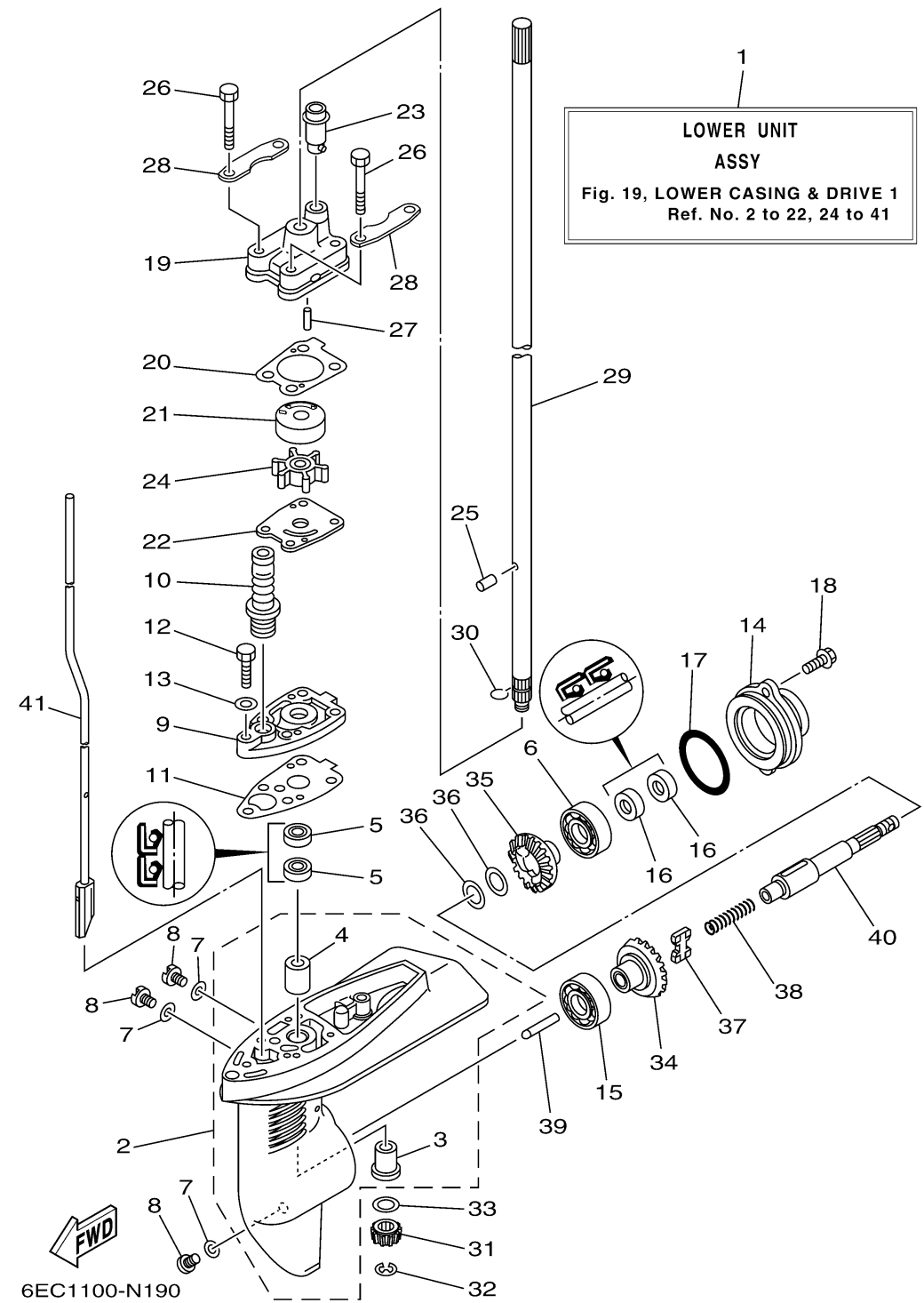
CONTINUED ON NEXT FRAME >



LOWER CASING DRIVE 1

Ref No.	Part Number	Description	Qty	Remarks
20	6EE-G4315-00-00	.GASKET, WATER PUMP	1	
21	6EE-G4322-00-00	.INSERT, CARTRIDGE	1	
22	6EE-G4323-00-00	.OUTER PLATE, CARTRIDGE	1	
23	6EE-G4366-00-00	.DAMPER, WATER SEAL 2	1	
24	6E0-44352-00-00	.IMPELLER	1	
25	93604-09066-00	PIN, DOWEL	1	
26	97095-06045-00	.BOLT	4	
27	93604-18080-00	.PIN, DOWEL	2	
28	6EE-G4328-00-00	PLATE	2	
29	6E0-45511-11-00	SHAFT, DRIVE	0	L(22.2")
29	6E0-45511-01-00	SHAFT, DRIVE	1	S(17.2")
30	90467-08M01-00	CLIP	1	
31	6BX-45551-00-00	PINION (13T)	1	
32	99001-06600-00	CIRCLIP	1	
33	90201-11M49-00	WASHER, PLATE	1	
34	67D-45560-00-00	GEAR 1 (27T)	1	
35	67D-45570-00-00	GEAR 2 (27T)	1	
36	6EE-G5576-00-00	WASHER, THRUST 2	2	
37	67D-45631-01-00	CLUTCH, DOG	1	
38	90501-120A9-00	SPRING, COMPRESSION	1	

CONTINUED ON NEXT FRAME >



LOWER CASING DRIVE 1

Ref No.	Part Number	Description	Qty	Remarks
39	6EE-G5635-00-00	PLUNGER, SHIFT	1	
40	6EE-G5611-00-00	SHAFT, PROPELLER	1	
41	6EE-G4150-00-00	SHIFT CAM ASSY	1	S(17.2")
41	6EE-G4150-10-00	SHIFT CAM ASSY	0	L(22.2")